

PM55L-048

2024/02/28

Appearance



Reference Characteristics

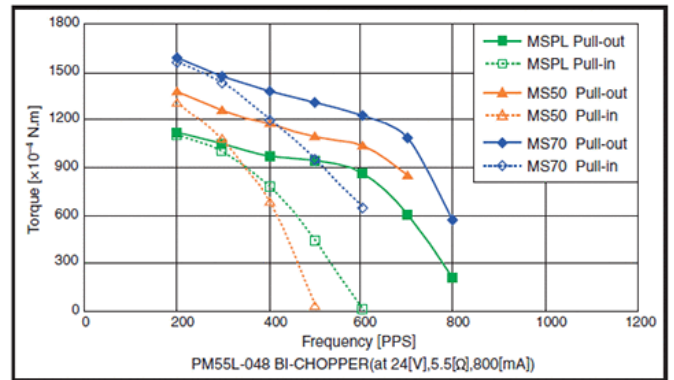
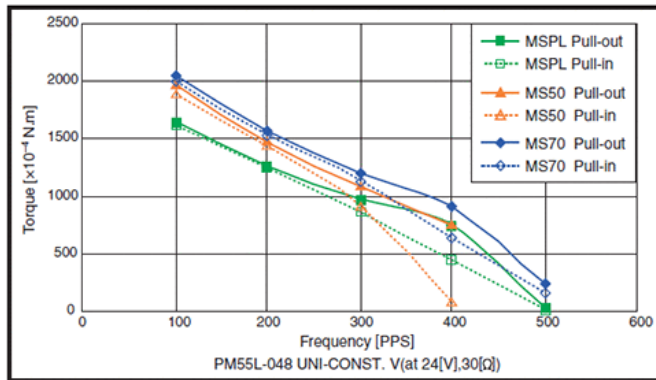
| | |
|---|---|
| Outer Diameter [mm] | 55.0 |
| Length [mm] | 25.70 |
| Step No. | 48 |
| Magnet Material | Ferrite plastic magnet(MSPL) Polar anisotropy ferrite sintered magnet(MS50) Nd-Fe-B bonded magnet(MS70) |
| Insulation Resistance (M) [Ω/min] | 100 |
| Dielectric Strength (AC) [V/min] | 500 |
| Step Angle [deg] | 7.50 |
| Drive Method | 2-2 phase |
| Class of Insulation | CLASS E |
| Operating Temp. lower limit [deg.C] | -10 |
| Operating Temp. upper limit [deg.C] | 50 |
| Storage Temp. lower limit | -30 |

PM55L-048

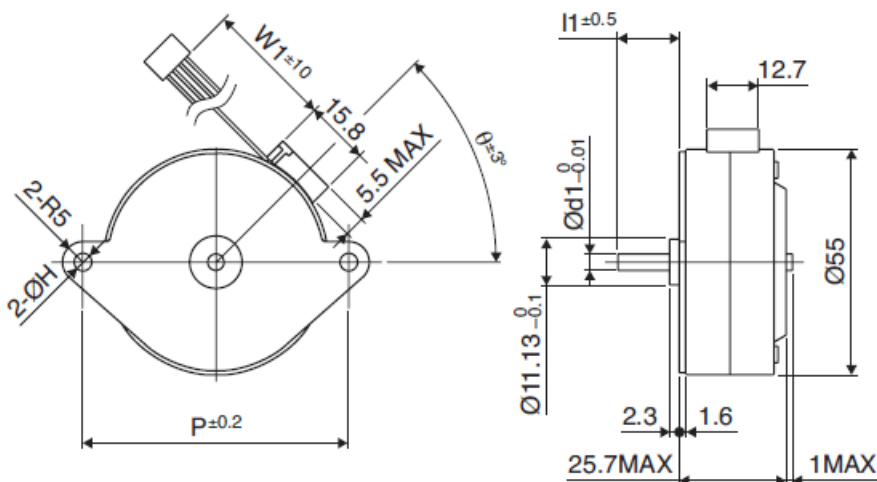
2024/02/28

| | |
|----------------------------------|----|
| [deg.C] | |
| Storage Temp. upper limit | 80 |
| [deg.C] | |
| Operating Hum. RH lower limit | 20 |
| [%] | |
| Operating Hum. RH upper limit | 90 |
| [%] | |

Torque Characteristic



Overall View



PM55L-048

2024/02/28

Specifications

| Drive Circuit | Drive Voltage [V] | Current/Phase [mA] | Coil Resistance/Phase [Ω] | Drive IC |
|-----------------------|-------------------|--------------------|------------------------------------|------------|
| UNIPOLAR CONST. VOLT. | 24 | | 30.0 | 2SC3346 |
| BIPOLAR CHOPPER | 24 | 800.0 | 5.5 | BD63877EFV |

Applications

OA Equipment: Printers / Scanners

Industrial equipment: Flow control valves

Toys: Slot machines

Home automation appliances: Sewing machines

Case Studies

We can customize to meet your various requests! [Stepping motors]

PM55L-048

2024/02/28