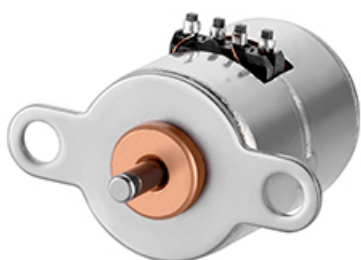


SML10-F20

2024/02/28

Appearance



Reference Characteristics

Outer Diameter [mm]	10.0
Length [mm]	14.20
Step No.	20
Magnet Material	Nd-Fe-B bonded magnet (N51)
Insulation Resistance (M) [Ω/min]	1
Dielectric Strength (AC) [V/min]	100
Step Angle [deg]	18.00
Class of Insulation	CLASS E
Operating Temp. lower limit [deg.C]	-10
Operating Temp. upper limit [deg.C]	50
Storage Temp. lower limit [deg.C]	-25
Storage Temp. upper limit [deg.C]	60

SML10-F20

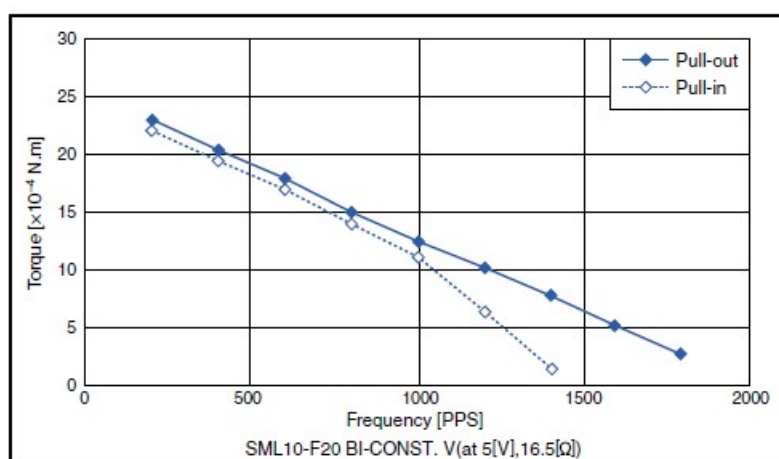
2024/02/28

Operating Hum. KH lower limit [%]	5
Operating Hum. RH upper limit [%]	85

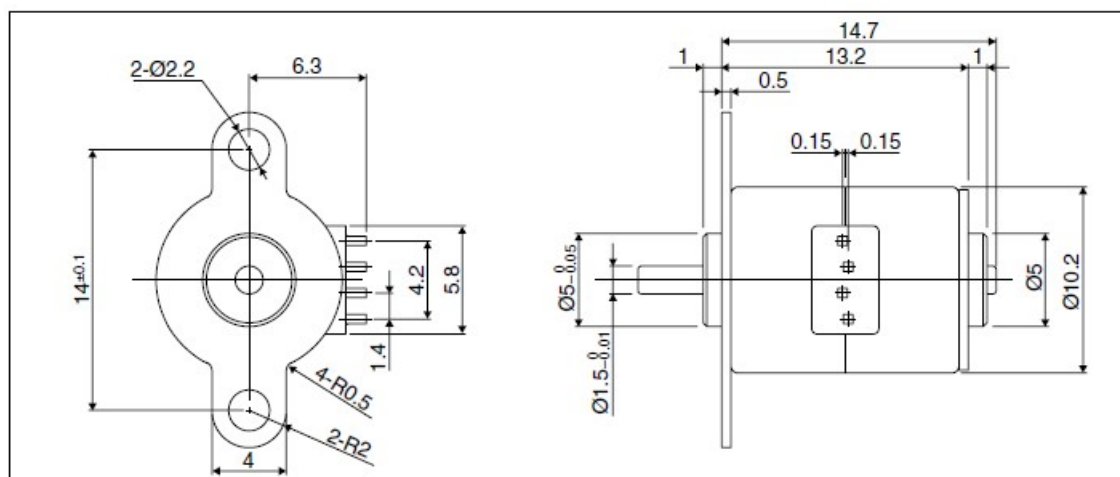
*Bipolar only. Unipolar is not available.

*No dew condensation.

Torque Characteristic



Overall View



SML10-F20

2024/02/28

Specifications

Drive Circuit	Drive Voltage [V]	Coil Resistance/Phase [Ω]	Drive IC
BIPOLAR CONST. VOLT.	5	16.5	LB1836M

Applications

OA Equipment: Network cameras

Optical instrument: Digital cameras / Microscope

Case Studies

We can customize to meet your various requests! [Stepping motors]