

## SMW35-G48

2024/02/28

## Appearance



## Reference Characteristics

Outer Diameter [mm]	35.0
Length [mm]	13.00
Step No.	48
Magnet Material	Nd-Fe-B bonded magnet (N51)
Insulation Resistance (M) [Ω/min]	100
Dielectric Strength (AC) [V/min]	500
Step Angle [deg]	7.50
Drive Method	2-2 phase
Class of Insulation	CLASS E (except lead wire)
Operating Temp. lower limit [deg.C]	-10
Operating Temp. upper limit [deg.C]	50
Storage Temp. lower limit [deg.C]	-30

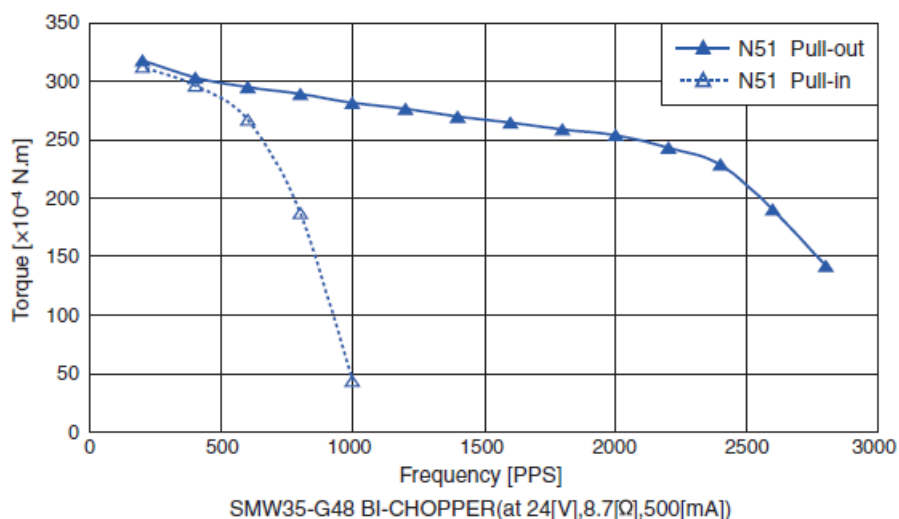
# SMW35-G48

2024/02/28

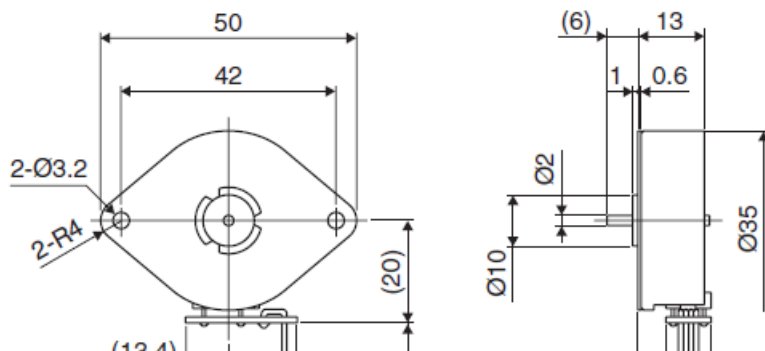
Storage Temp. upper limit [deg.C]	80
Operating Hum. RH lower limit [%]	5
Operating Hum. RH upper limit [%]	90

\*Bipolar only. Unipolar is not available.

## Torque Characteristic

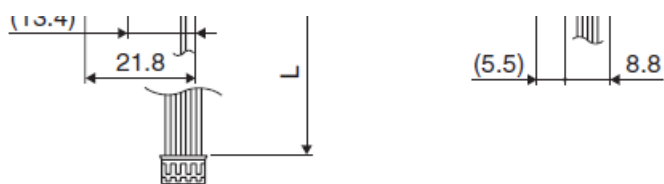


## Overall View



## SMW35-G48

2024/02/28



## Specifications

Drive Circuit	Drive Voltage [V]	Current/Phase [mA]	Coil Resistance/Phase [ $\Omega$ ]	Drive IC
BIPOLAR CONST. CURR.	24	500.0	8.7	MTD2003

## Applications

OA Equipment: Printers / Scanners

## Case Studies

We can customize to meet your various requests! **[Stepping motors]**

## SMW35-G48

2024/02/28