

SMW35-G96

2024/02/28

Appearance



Reference Characteristics

Outer Diameter [mm]	35.0
Length [mm]	13.00
Step No.	96
Magnet Material	Nd-Fe-B bonded magnet (N51)
Insulation Resistance (M) [Ω/min]	100
Dielectric Strength (AC) [V/min]	500
Step Angle [deg]	3.75
Drive Method	2-2 phase
Class of Insulation	CLASS E (except lead wire)
Operating Temp. lower limit [deg.C]	-10
Operating Temp. upper limit [deg.C]	50
Storage Temp. lower limit [deg.C]	-30

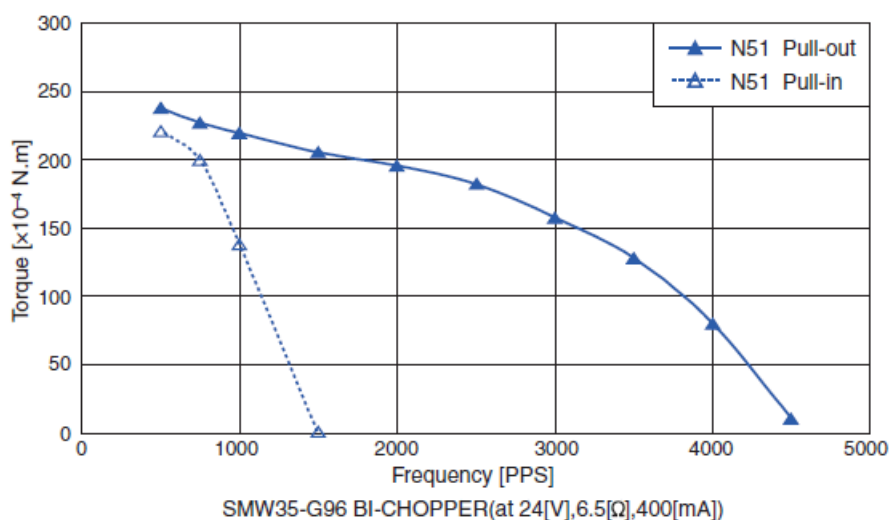
SMW35-G96

2024/02/28

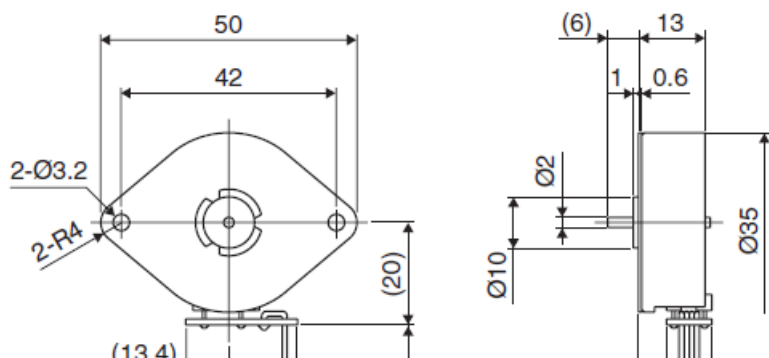
Storage Temp. upper limit [deg.C]	80
Operating Hum. RH lower limit [%]	5
Operating Hum. RH upper limit [%]	90

*Bipolar only. Unipolar is not available.

Torque Characteristic



Overall View

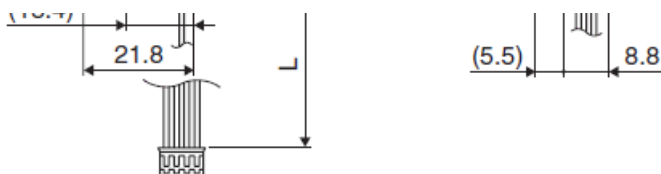


ミネベアミツミ株式会社

Copyright©MinebeaMitsumi Inc. All right reserved.

SMW35-G96

2024/02/28



Specifications

Drive Circuit	Drive Voltage [V]	Current/Phase [mA]	Coil Resistance/Phase [Ω]	Drive IC
BIPOLAR CONST. CURR.	24	400.0	6.5	MTD2003

Applications

OA Equipment: Printers / Scanners

Case Studies

We can customize to meet your various requests! [Stepping motors]

SMW35-G96