

## MMR902

2023/03/22

## Outline

This product is digitally outputs a pressure value which was corrected in the module. Customers need no correction because it corrects and outputs the differences of sensors and temperature characteristics. It does not require complicated sensor drive or control circuit, and devices with high performance can be made only with this module and an external microcontroller which will be the host.

## Applications

Blood pressure monitor for home appliance

Devices using air pressure

## Features

- ① Small package 7.0(W) × 7.0(D) × 7.2(H)mm
- ② A high-accuracy pressure value can be output  
Pressure resolution : 0.001mmHg  
Pressure effective resolution : 0.020mmHgRMS  
Pressure accuracy : ±2.0mmHg (±266Pa)
- ③ It corrects the differences of sensors and temperature characteristics when shipped from our factory
- ④ It digitally outputs pressure value by a built-in sequencer (SPI,I2C)

## Main specifications

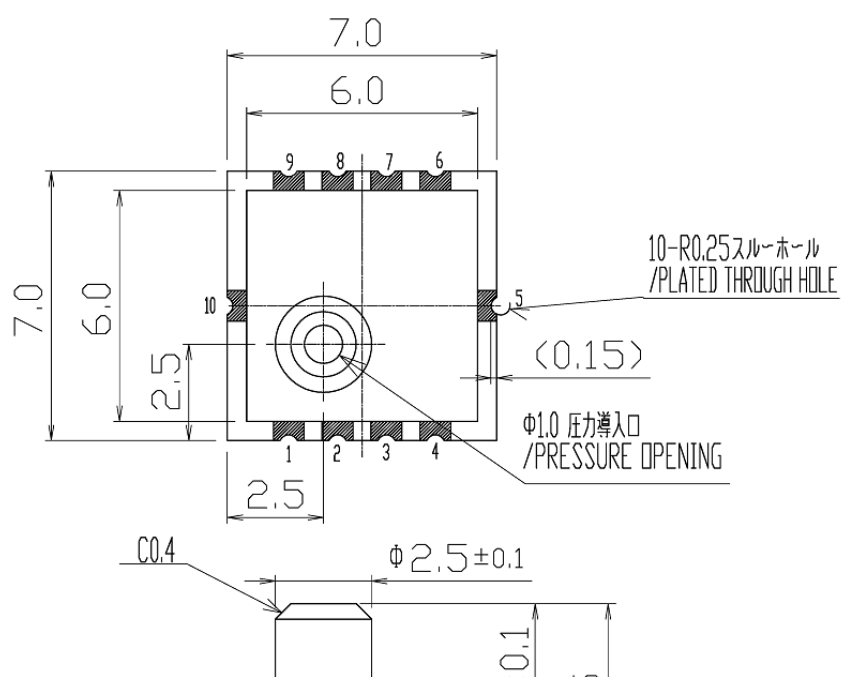
Pressure Type	Gage Pressure
Pressure Medium	Air (no Condensation)
Supply Voltage Range	1.7~3.6

## MMR902

2023/03/22

[V]	1.7~3.0
Operating Temperature Range [deg.C]	0~60
Operating Pressure Range [kPa]	-4~48
Current Consumption [μA]	650
Pressure accuracy [Pa]	±266
Pressure effective resolution [PaRMS]	5.3 / 3.7 / 2.7 / 0.7
Conversion Time [ms]	3.9 / 7.8 / 15.6 / 250.0
Interface	SPI/I2C

## Package

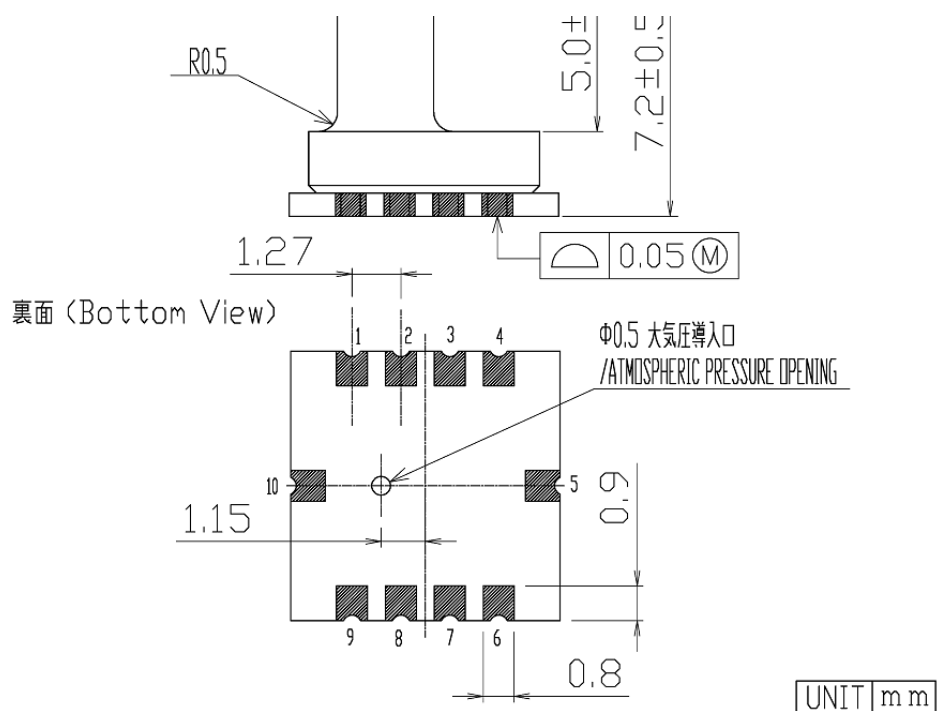


ミネベアミツミ株式会社

Copyright©MinebeaMitsumi Inc. All right reserved.

## MMR902

2023/03/22



## Package Size [mm]

7.0 x 7.0 x 7.2