

## Digital output gage pressure sensor

# MMR906XAN



### Outline

This product digitally outputs a pressure value which was corrected. Customers need no correction because it corrects and outputs the differences of sensors and temperature characteristics. It does not require complicated sensor drive or control circuit, and devices with high performance can be made only with this module and an external microcontroller which will be the host.

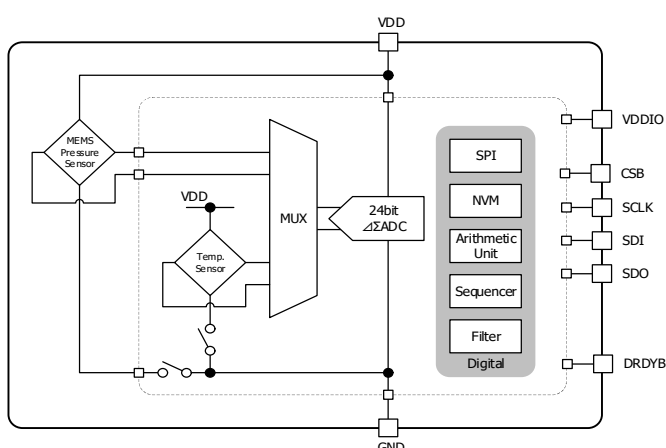
### Applications

- Blood pressure monitor for home appliance
- Devices using air pressure

### Features

- Small package 5.0(W) × 6.0(D) × 7.2(H)mm
- A high-accuracy pressure value can be output  
 Pressure resolution : 0.001mmHg  
 Effective resolution : 0.025mmHgRMS (3.4PaRMS)  
 Pressure accuracy : ±2.0mmHg (±267Pa)
- It digitally outputs pressure value by a built-in sequencer (SPI)
- Noise reduction is possible by a built-in second order low pass filter.

### Block Diagram



### Specification

ITEM	SPECIFICATION
Pressure Type	Gage Pressure
Pressure Medium	Air (no Condensation)
Operating Pressure Range	-30 ~ +360mmHg
Operating Temperature Range	0 ~ 60°C
Supply Voltage Range	1.7 ~ 3.6V (3.0V typ.)
Conversion Time	4.07 / 7.92 / 15.625 / 247ms
Current Consumption	640uA
Pressure accuracy	±2.0mmHg
Pressure effective resolution	0.050 / 0.035 / 0.025 / 0.007 mHgRMS
Interface	SPI
Size	5.0(W) × 6.0(D) × 7.2(H)mm

### Typical Performance Characteristics

It outputs a pressure value which was corrected the differences of sensors and temperature characteristics

