

SOF Series

2023/03/22

Features



1. Minimized mounting area.
2. Using the stainless steel metal dome with long life and sharp feeling.
3. Suitable for mounting a narrow key pitch.
4. Suitable for SMT reflow soldering.

Application

1. For small electronic equipment.

Specifications

Rating (Resistive load)	DC12V, 50mA
Contact Resistance	1Ω or less
Insulation resistance	10MΩ or more
Withstand Voltage	1 minute at AC 100V
Life	100,000cycles
	SOF-242HST : 5,000 SOF-242HNT : 5,000

SOF Series

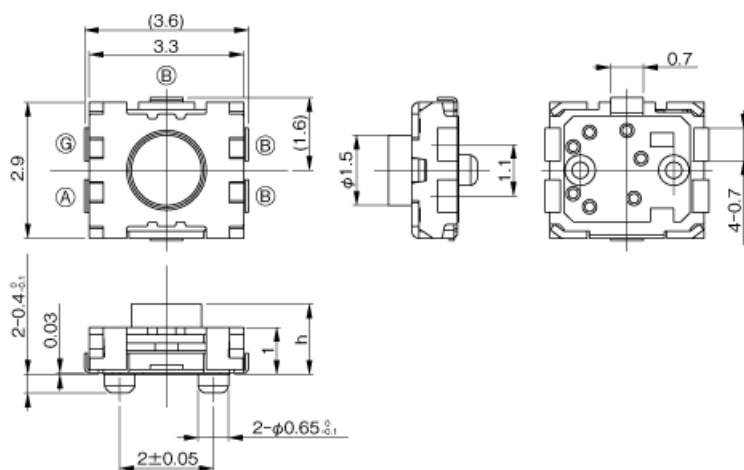
2023/03/22

Pcs/Reel

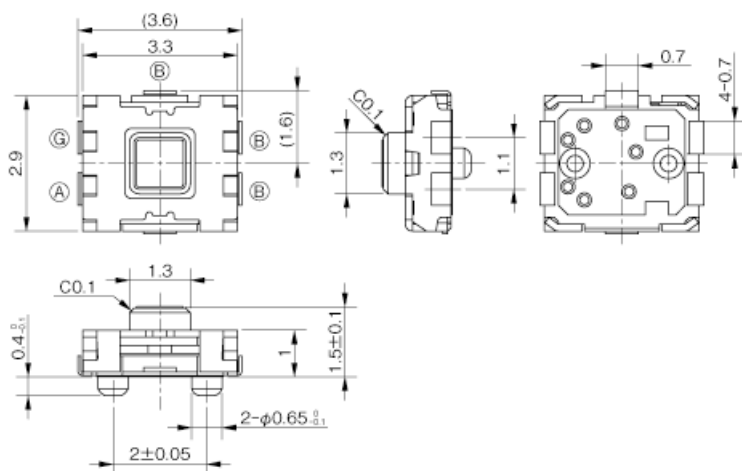
SOF-262HST : 5,000
 SOF-262HNT : 5,000
 SOF-232HST : 4,000
 SOF-232HNT : 4,000
 SOF-268HFT : 5,000
 SOF-269HFT : 5,000

Overall View

Circle button

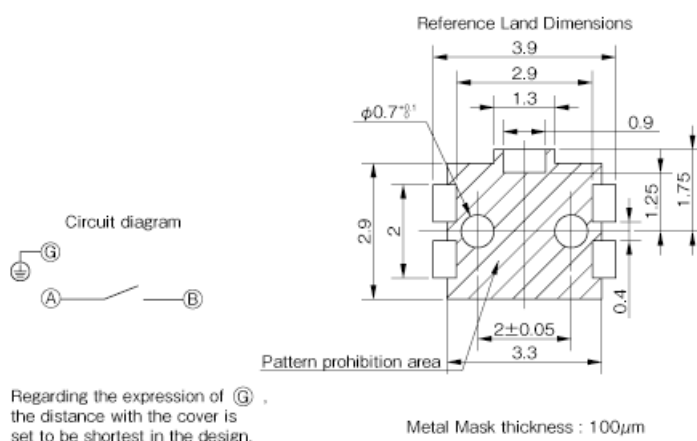


Square button



SOF Series

2023/03/22



Unit:mm

NOTE

*Any products mentioned in this catalog are subject to any modification in their appearance and others for improvements without prior notification.

*The details listed here are not a guarantee of the individual products at the time of ordering. When using the products, you will be asked to check their specifications.