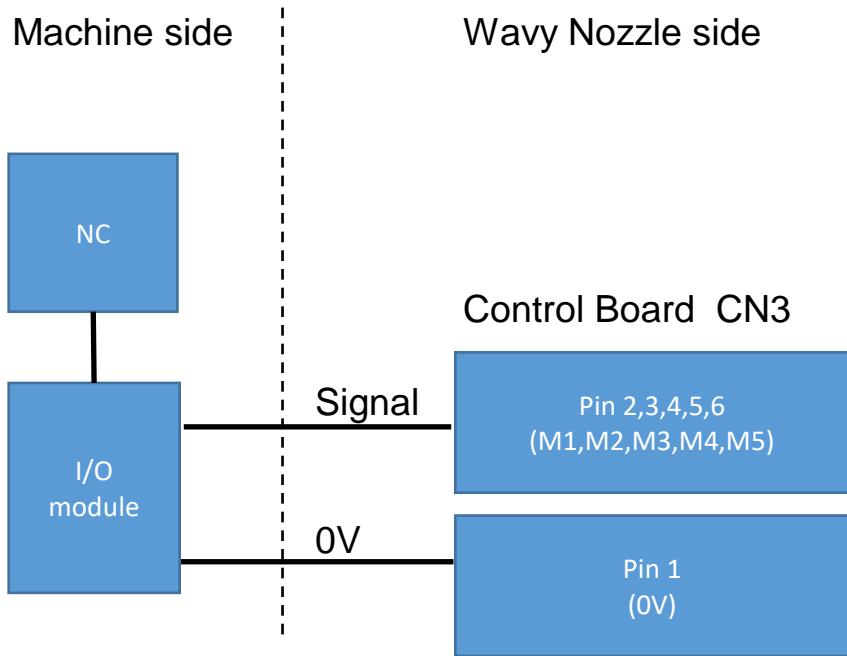


Wavy Nozzle Electrical Connection

Connection of M-Code Signal

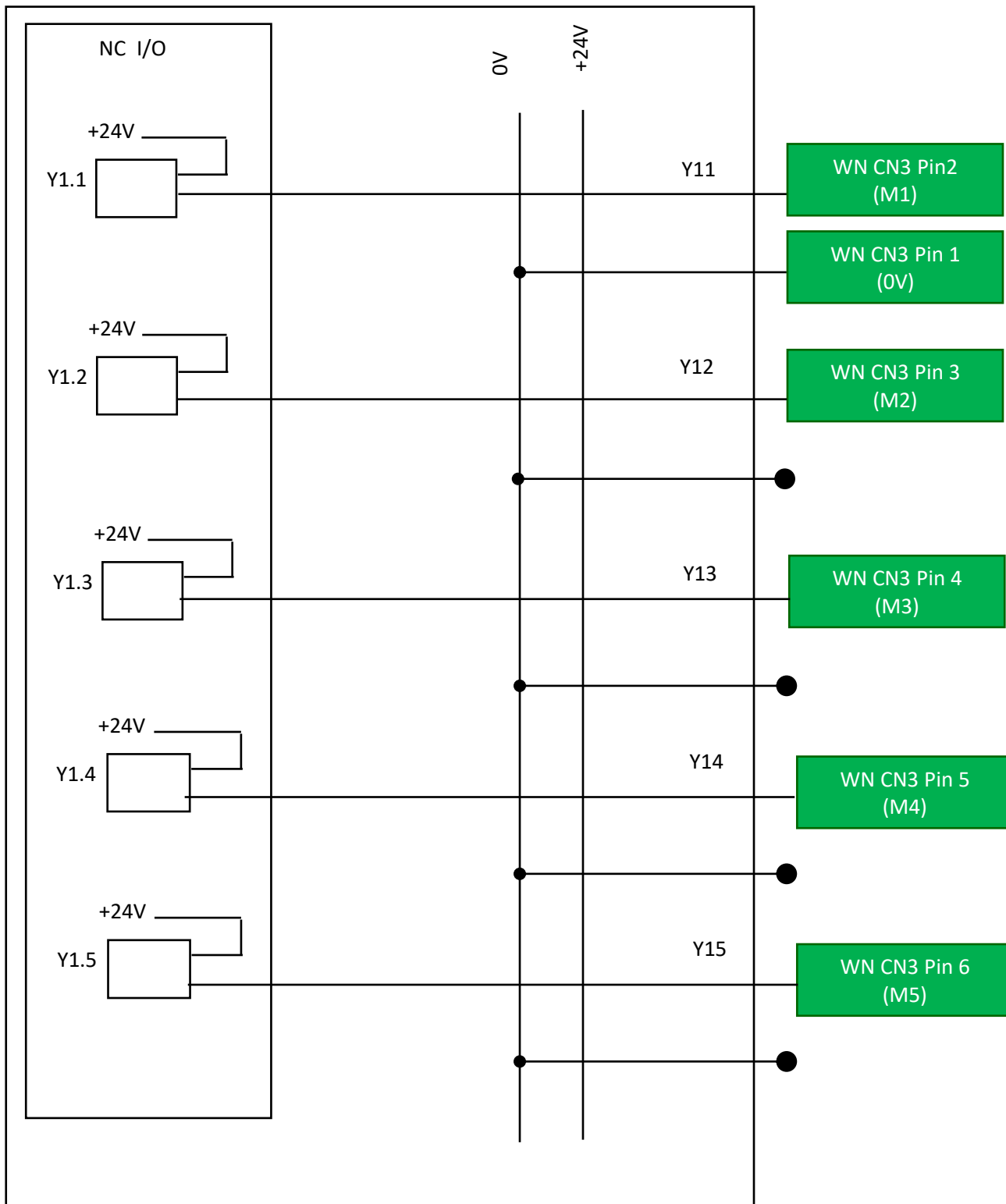
Example 1



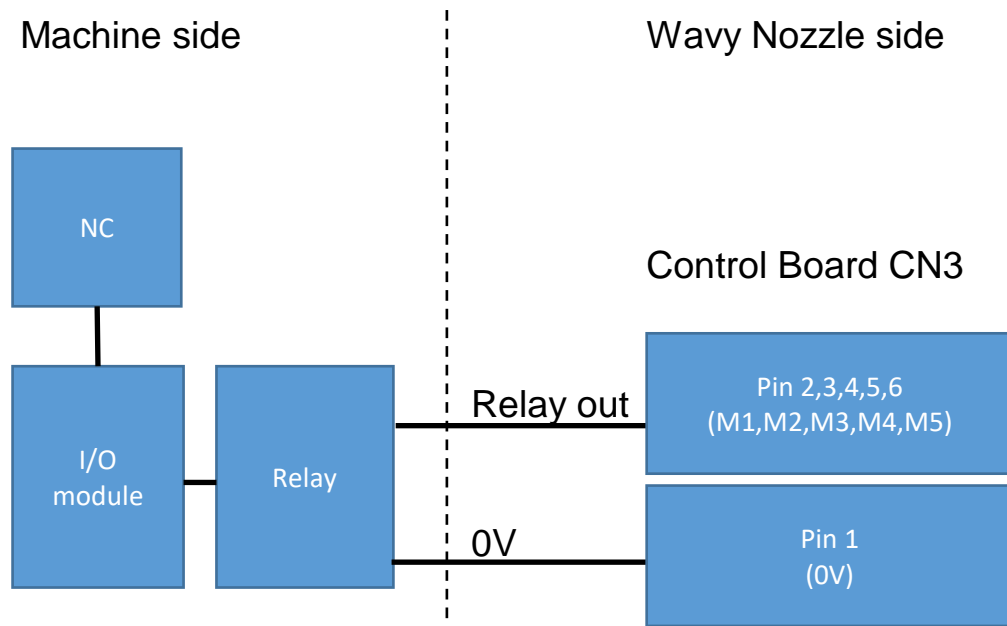
Signal : +24V/0V output of signal terminal that can be controlled by M-Code

This connection can be used when there are some remainder of output terminal of I/O module, and these output terminal can be controlled by M-code.

Actual Example 1-1



Example2



Relay ou Relay output signal that can be turned ON or OFF by M-code.
Connect that +24V is output when the relay is turned ON.
In this case, there is no problem that output signal of M1 to M5 become +24V or OPEN (not 0V).

This connection can be used when there are some remainder of OIL-BLOW control signal or

Actual Example 1-2

