

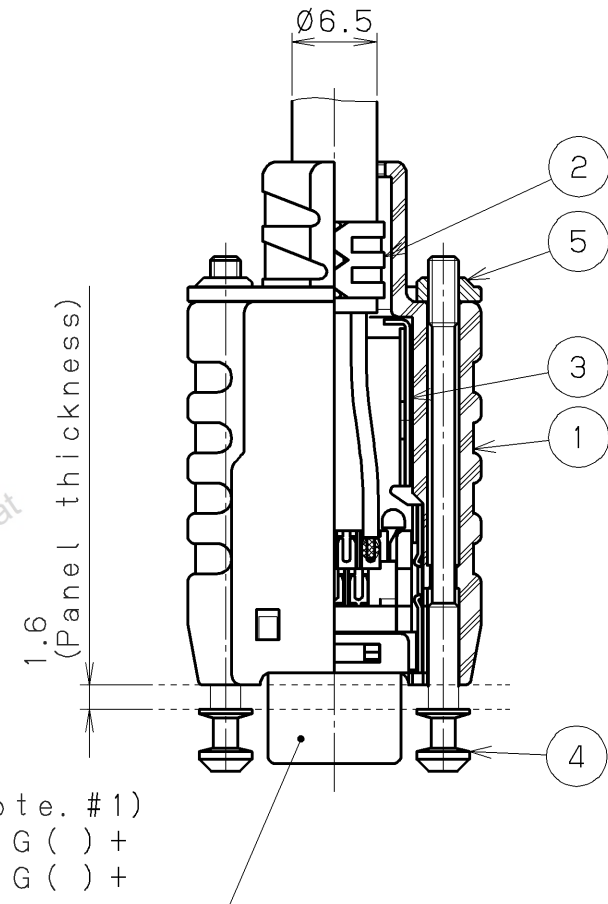
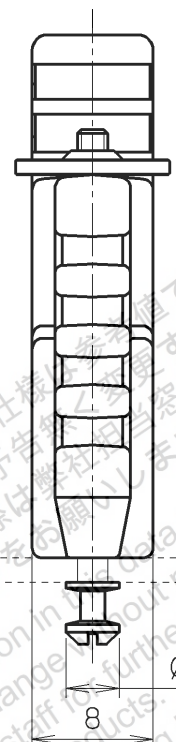
Recommended panel cut-out dimensions

掲載している製品の特性及び仕様は、予告なく変更される場合があります。特性及び仕様については、予告なく変更される場合はお問い合わせのうえ、採用のご検討やご注文の際は弊社営業窓口までお問い合わせをお願いします。納入仕様書の取り交わしをお願いします。

The product information in this data is for reference only. This is subject to change without notice. Contact our sales staff for further information before considering or ordering any of our products. Please request Engineering Drawing for the most current and accurate design information.

Note

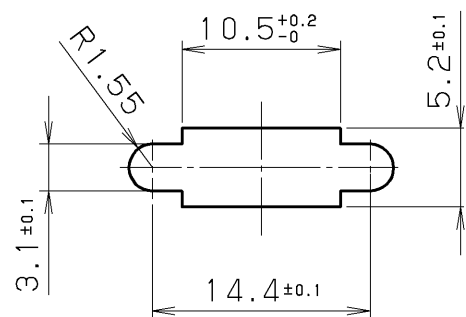
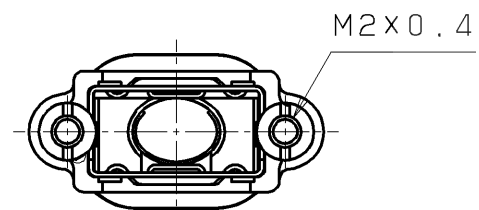
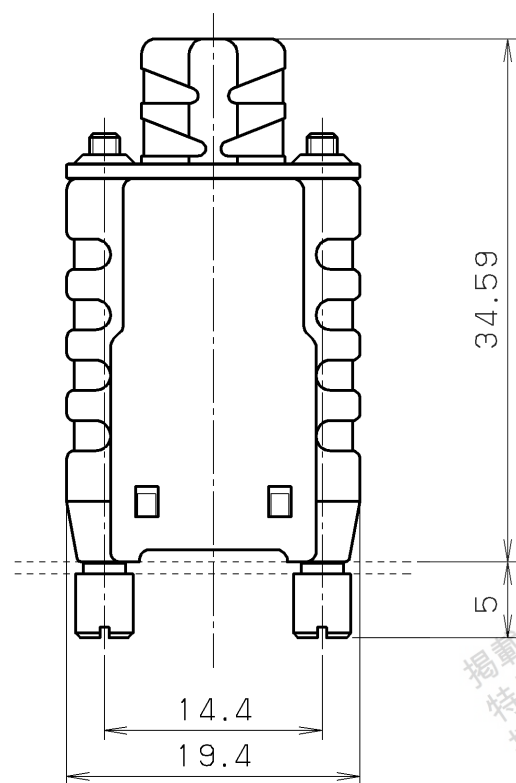
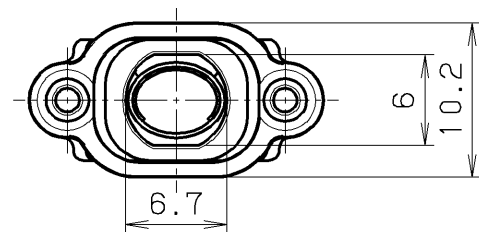
1. Connector is not included in P/N: HDR-E14LPHPA+.
2. This drawing shows assembled for reference. Each parts are supplied unassembled.



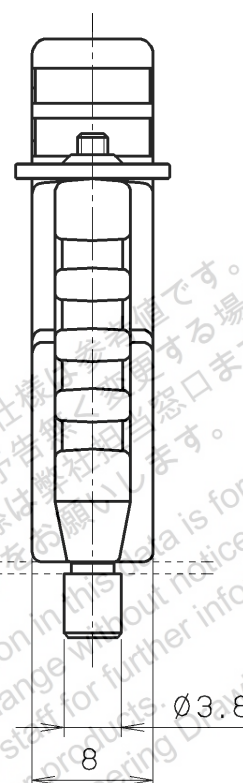
Connector (Note. #1)
HDR-E14F () G () +
HDR-E14M () G () +

After assembly drawing

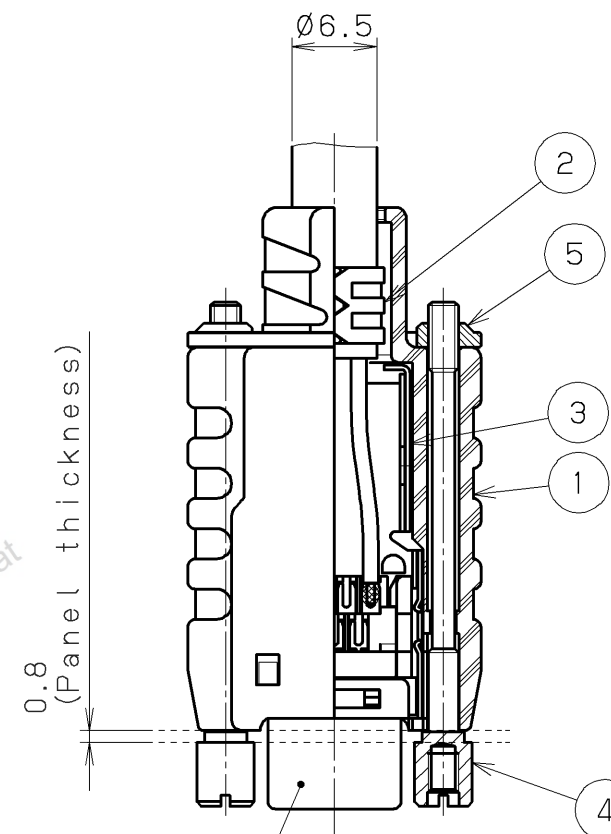
LTR.	DATE	BY	REV.	DESCRIPT	No.	PART NAME	MATERIAL	QTY	FINISH	NOTE
					5	Plate (For lock screw)	Steel	1	Nickel plating	t=1.0 M2X0.4
					4	Lock screw	Steel	2	Nickel plating	
					3	Inner shell B	Stainless steel	1	Nickel plating	
					2	Inner shell A	Stainless steel	1	Nickel plating	
					1	Plastic cover	PBT RESIN	1		UL94V-0 Black
DATE						SCALE	UNIT	3RD. A. P		
July.25.2017						2/1	mm (INCH)			
APP. DATE&REV.										
DR.	DE.	CHK.	CHK.	APP.	NAME		HDR-E type cable cover (RoHS)			
S. MURAKAMI	S. MURAKAMI	S. YOSHIDA	—	Y. KATO	PART NO.		HDR-E14LPHPA+ REV.			



Recommended panel cut-out dimensions



Connector (Note. #1)
 HDR-E14F () G () +
 HDR-E14M () G () +

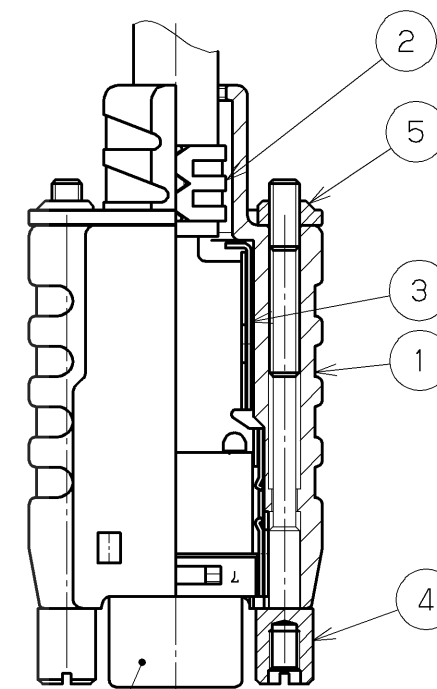
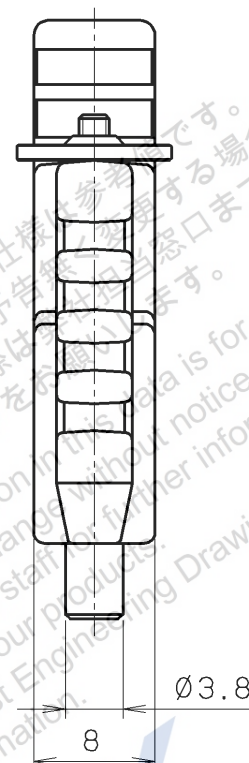
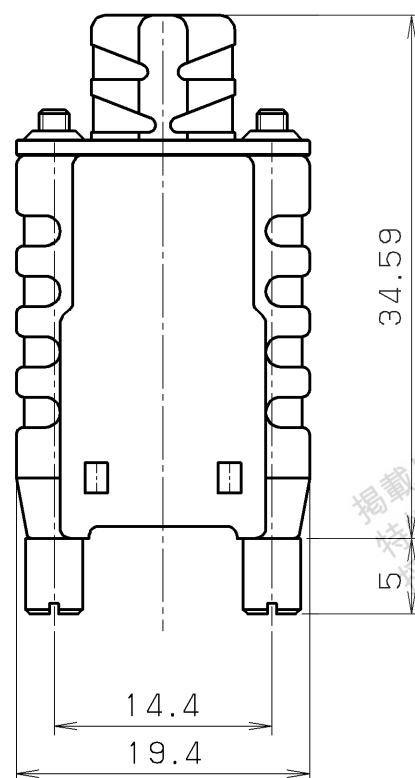
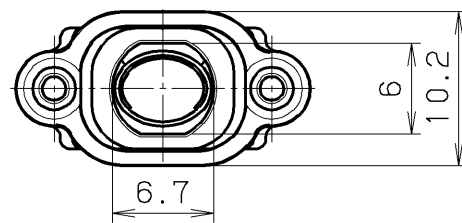


After assembly drawing

Note

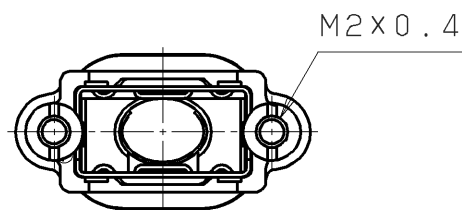
1. Connector is not included in P/N: HDR-E14LPHPB+.
2. This drawing shows assembled for reference. Each parts are supplied unassembled.

LTR.	DATE	BY	REV.	DESCRIPT	No.	PART NAME	MATERIAL	QTY	FINISH	NOTE
					5	Plate (For lock screw)	Steel	1	Nickel plating	t=1.0 M2X0.4
					4	Lock screw	Stainless steel	2		
					3	Inner shell B	Stainless steel	1	Nickel plating	
					2	Inner shell A	Stainless steel	1	Nickel plating	
					1	Plastic cover	PBT RESIN	1		UL94V-0 Black
DATE						SCALE	UNIT	3RD. A. P		
July.25.2017						2/1	mm (INCH)			
APP. DATE&REV.										
DR.	DE.	CHK.	CHK.	APP.	NAME		HDR-E type cable cover (RoHS)			
S. MURAKAMI	S. MURAKAMI	S. YOSHIDA	—	Y. KATO	PART NO.		HDR-E14LPHPB+ REV.			



Connector
 HDR-E14F () G () +
 HDR-E14M () G () +

AFTER ASSEMBLY DRAWING

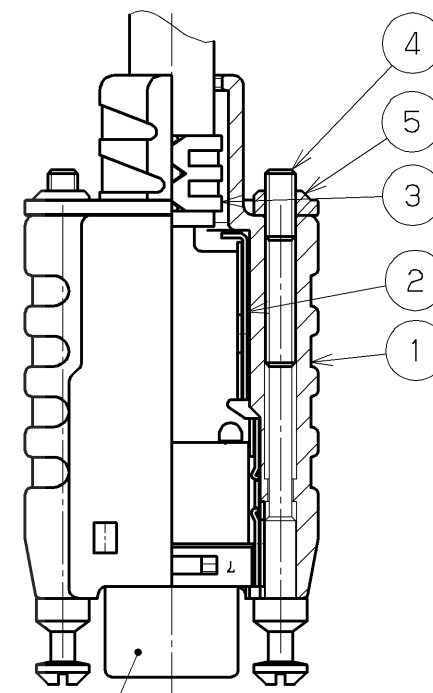
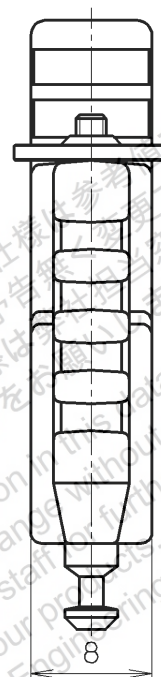
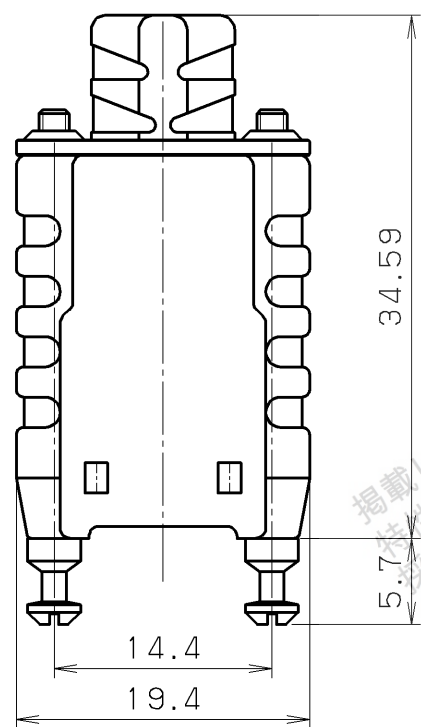
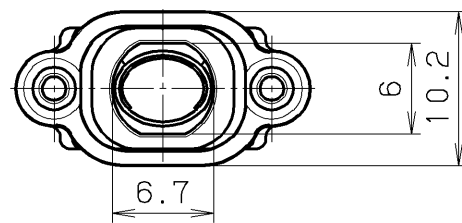


掲載している製品の特性及び仕様は参考です。特性及び仕様については、予告なく変更する場合があります。This is subject to change without notice. The product information in this data is for reference only. Contact our sales staff for further information before considering or ordering any of our products. Please request Engineering Drawing for the most current and accurate design information.

HTK

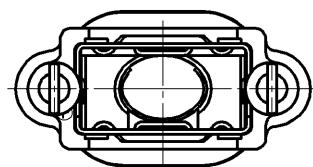
5	Plate (For lock screw)	Steel	1	Nickel plating	t=1.0 M2X0.4
4	Lock screw	Stainless steel	2		
3	Inner shell B	Stainless steel	1	Nickel plating	
2	Inner shell A	Stainless steel	1	Nickel plating	
1	Plastic cover	PBT RESIN	1		UL94V-0 Black

LTR.	DATE	BY	REV.	DESCRIPT	No.	PART NAME	MATERIAL	QTY	FINISH	NOTE
DATE		SCALE		UNIT		3RD. A. P				
July.25.2017		2/1		mm (INCH)						
APP. DATE&REV.		DR.		DE.		CHK.		CHK.		APP.
		S. MURAKAMI		S. MURAKAMI		S. YOSHIDA		—		Y. KATO
NAME						HDR-E type cable cover (RoHS)				
PART NO.						HDR-E14LPHPC+				
						REV.				



Connector
 HDR-E14F () G () +
 HDR-E14M () G () +

AFTER ASSEMBLY DRAWING



掲載している製品の特性及び仕様は参考です。
 特性及び仕様については、予告なく変更する場合があります。
 採用のご検討やご注文の際は必ず最新仕様書までお問い合わせのうえ、
 納入仕様書の取り交わしをお願いします。
 The product information in this data is for reference only.
 This is subject to change without notice.
 Contact our sales staff for further information before considering or
 ordering any of our products.
 Please request Engineering Drawing for the most current and accurate
 design information.

HTK

5	PLATE (FOR LOCK SCREW)	STEEL	1	NICKEL PLATING	$t=1.0$ M2X0.4
4	LOCK SCREW	STEEL	2	NICKEL PLATING	—
3	INNER SHELL A	STAINLESS STEEL	1	NICKEL PLATING	—
2	INNER SHELL B	STAINLESS STEEL	1	NICKEL PLATING	—
1	PLASTIC COVER	PBT RESIN	1	—	UL94V-0 BLACK

LTR.	DATE	BY	REV.	DESCRIPT	No.	PART NAME	MATERIAL	QTY	FINISH	NOTE
------	------	----	------	----------	-----	-----------	----------	-----	--------	------

DATE		SCALE		UNIT		3RD. A. P		HTK HONDA TSUSHIN KOGYO CO., LTD.		
July.25.2017		2 / 1		mm (INCH)						
APP. DATE&REV.										

DR.	DE.	CHK.	CHK.	APP.	NAME	HDR-E TYPE CABLE COVER		REV.
S. MURAKAMI	S. MURAKAMI	S. YOSHIDA	—	Y. KATO	PART NO.	HDR-E14LPHPD+		