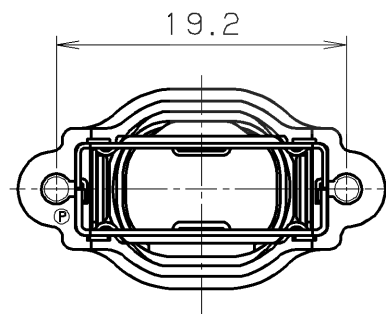


AFTER ASSEMBLY DRAWING



HTK

The product information in this data is for reference only.  
This is subject to change without notice.  
Please request engineering drawing for the most current and accurate design information.

					4	THUMB SCREW	STEEL	2	NICKEL PLATING	—
$\triangle$					3	INNER SHELL A	STAINLESS STEEL	1	NICKEL PLATING	—
$\triangle$					2	INNER SHELL B	STAINLESS STEEL	1	NICKEL PLATING	—
$\triangle$					1	PLASTIC COVER	PBT RESIN	1	—	UL94V-0 BLACK
LTR.	DATE	BY	REV.	DESCRIPT	No.	PART NAME	MATERIAL	QTY	FINISH	NOTE
DATE		SCALE		UNIT		3RD. A. P				
July.14.2017		2 / 1		mm (INCH)						
APP. DATE&REV.						<b>HTK</b> HONDA TSUSHIN KOGYO CO., LTD.				
DR.	DE.	CHK.	CHK.	APP.	NAME		HDR-E TYPE CABLE COVER (RoHS)			
S. MURAKAMI	S. MURAKAMI	S. YOSHIDA	—	Y. KATO	PART NO.		HDR-E26LPKP+			
									REV.	