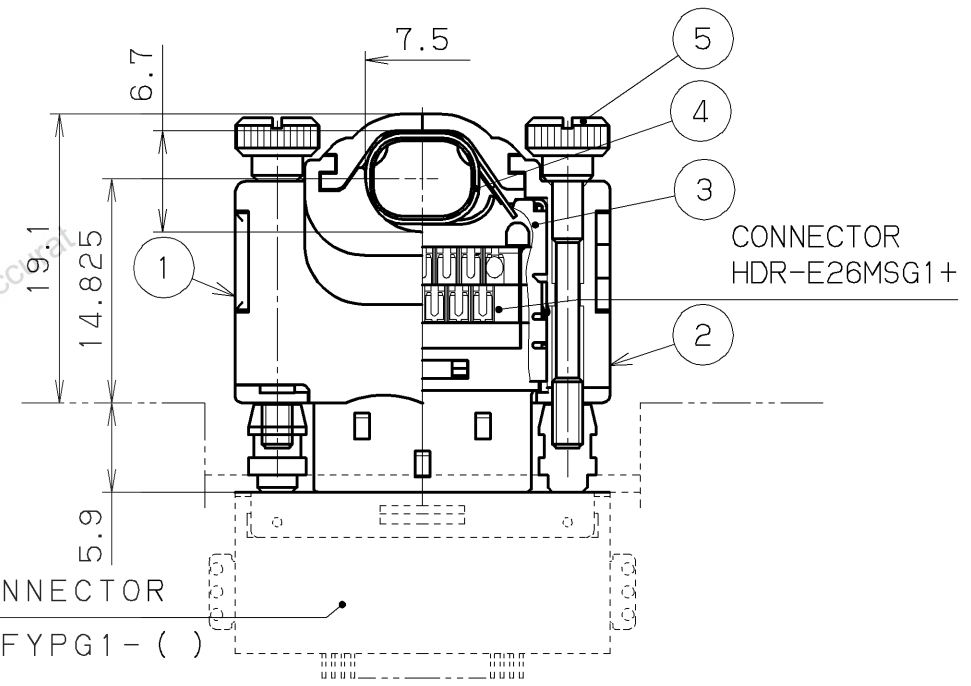


納入仕様書の取り交わしは、製品の特性及び仕様については参考値です。変更する場合は、お問い合わせのうえ、採用のご検討をお願いします。HTK

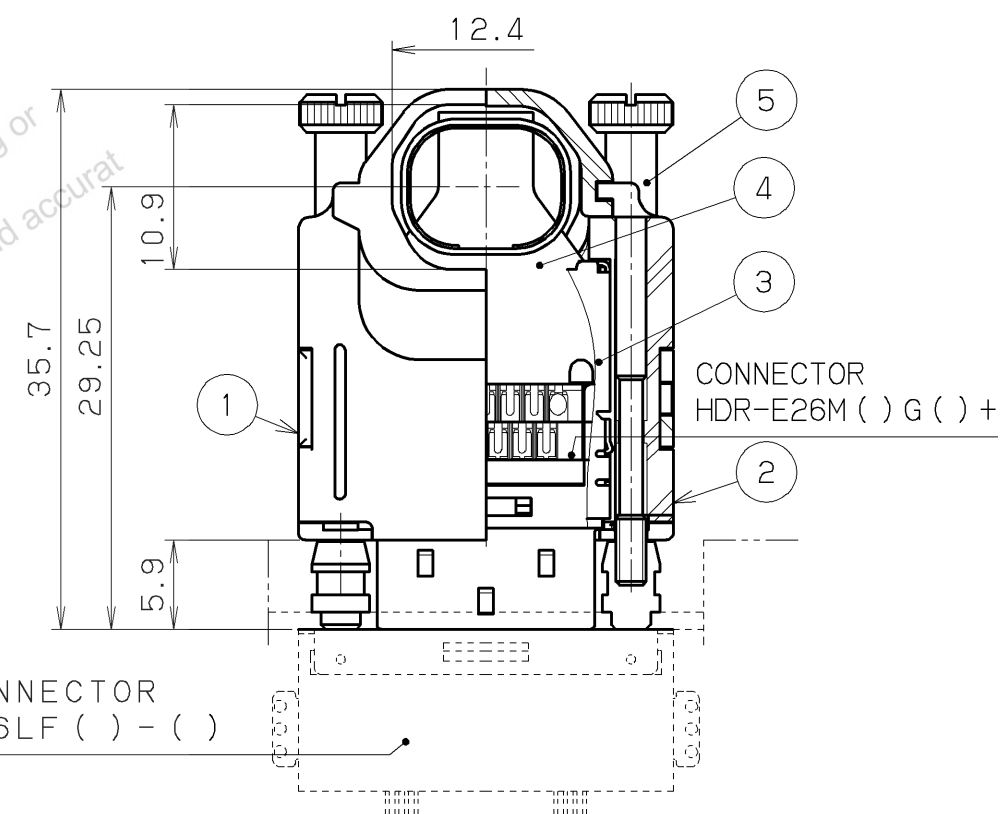
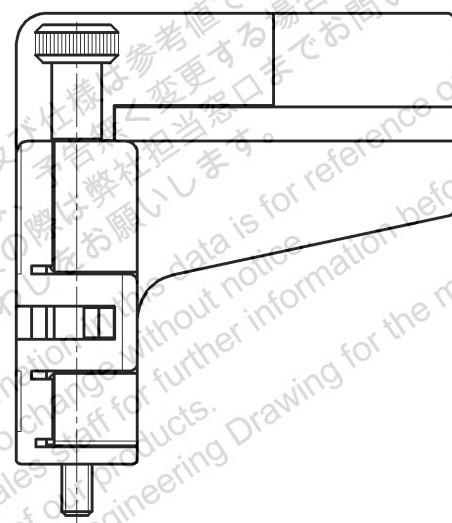
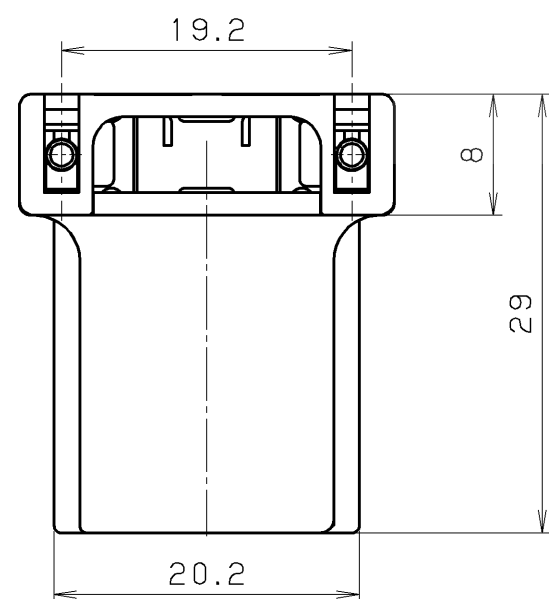
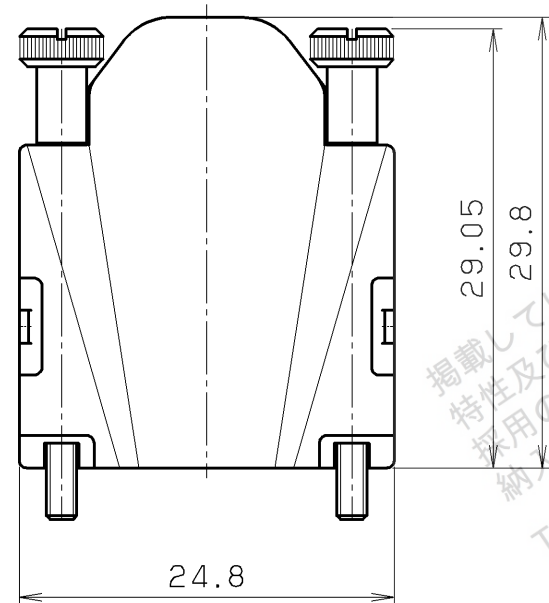
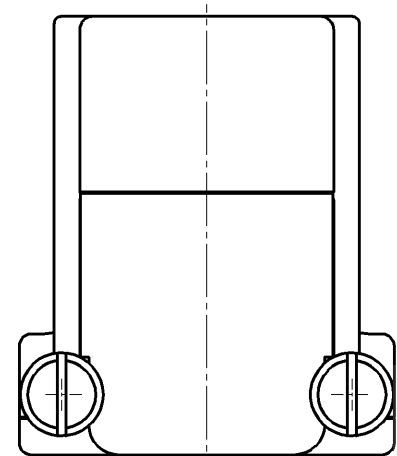
The product information in this data is for reference only. This is subject to change without notice. Contact our sales staff for further information before considering or ordering any of our products. Please request Engineering Drawing for the most current and accurate design information.



MATING CONNECTOR
HDR-EA26LFYPG1- ()

AFTER ASSEMBLY DRAWING

△				5	THUMB SCREW	STEEL	2	NICKEL PLATING	—	
△				4	INNER SHELL A	STAINLESS STEEL	1	NICKEL PLATING	—	
△				3	INNER SHELL B	STAINLESS STEEL	1	NICKEL PLATING	—	
△				2	PLASTIC COVER B	PBT RESIN	1	—	UL94V-0 BLACK	
△	2018	S. M	ADD DIMENSION	1	PLASTIC COVER A	PBT RESIN	1	—	UL94V-0 BLACK	
LTR.	DATE	BY	REV.	DESCRIP	No.	PART NAME	MATERIAL	QTY	FINISH	NOTE
DATE		SCALE		UNIT		3RD. A. P				
July.14.2017		2 / 1		mm (INCH)		HTK HONDA TSUSHIN KOGYO CO., LTD.				
APP. DATE&REV.						NAME		HDR-E TYPE CABLE COVER		
DR.	DE.	CHK.	CHK.	APP.	PART NO.		HDR-E26ALPAP+			REV.
S. MURAKAMI	S. MURAKAMI	S. YOSHIDA	—	Y. KATO						



MATING CONNECTOR
HDR-E () 26LF () - ()

AFTER ASSEMBLY DRAWING

LTR.	DATE	BY	REV.	DESCRIPT	No.	PART NAME	MATERIAL	QTY	FINISH	NOTE
					5	THUMB SCREW	STEEL	2	NICKEL PLATING	---
					4	INNER SHELL A	STAINLESS STEEL	1	NICKEL PLATING	---
					3	INNER SHELL B	STAINLESS STEEL	1	NICKEL PLATING	---
					2	PLASTIC COVER B	PBT RESIN	1	---	UL94V-0 BLACK
					1	PLASTIC COVER A	PBT RESIN	1	---	UL94V-0 BLACK

DATE	SCALE	UNIT	3RD. A. P	HTK HONDA TSUSHIN KOGYO CO., LTD.		
July. 14. 2017	2 / 1	mm (INCH)		DR.	DE.	CHK.
APP. DATE & REV.				CHK.	APP.	NAME
				S. MURAKAMI	S. MURAKAMI	S. YOSHIDA
				---	Y. KATO	
				PART NO.		HDR-E TYPE CABLE COVER
				HDR-E26ALPBP+		REV.