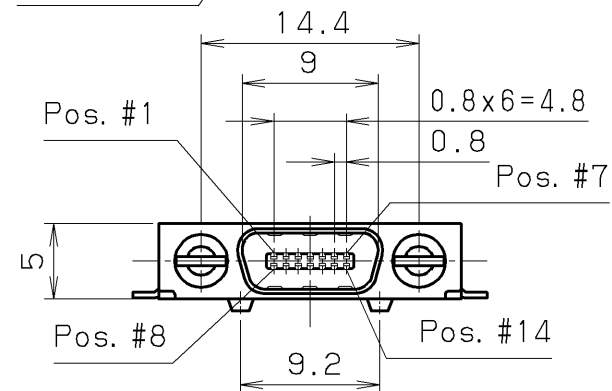
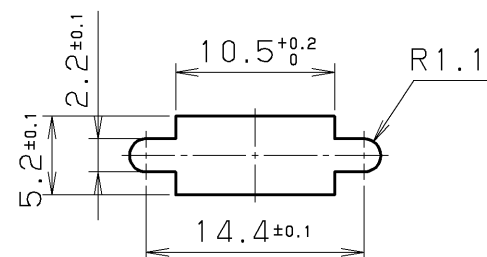
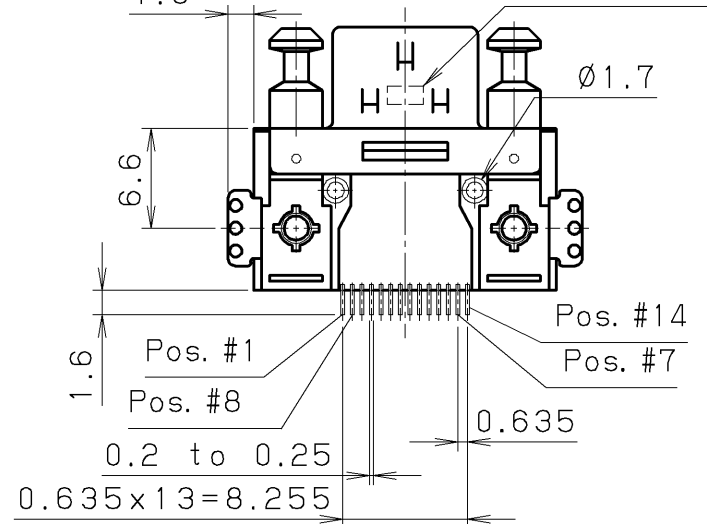


Marking



Marking



Recommended panel cut-out dimensions

Note 1. Specification

Rated current: 0.5A  
Rated voltage: 125V AC (r. m. s.)

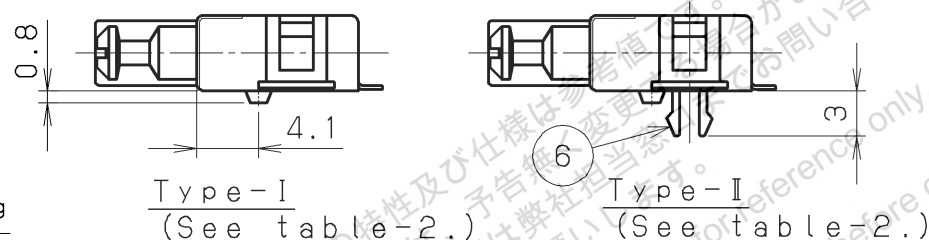
2. Contact plating

0.76µm min. gold on mating area,  
0.05µm gold on termination area,  
all over 1.5µm min. nickel underplated.

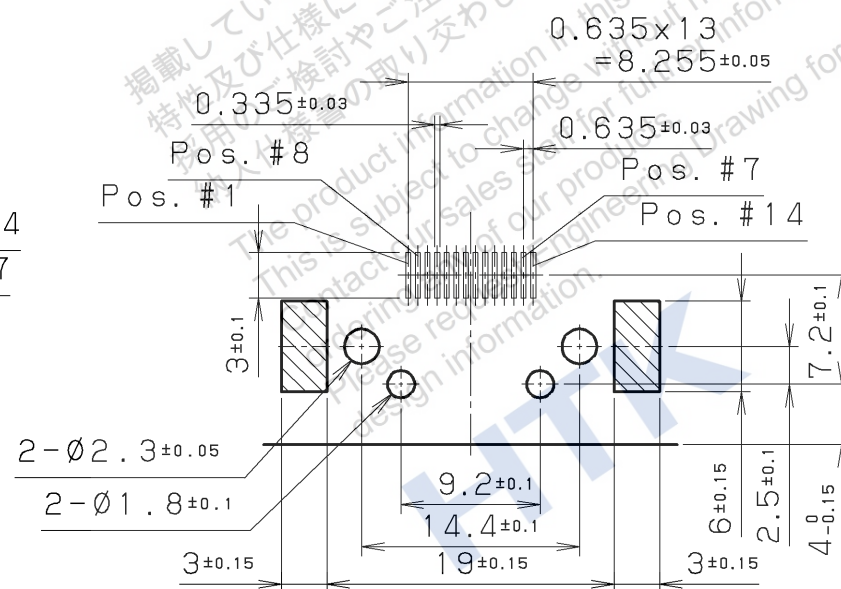
3. Contact sequence

Contact length	Contact pos. No.
4.4 mm	Pos. #1, 7, 8, 14
3.6 mm	Others

4. Two lock screws are supplied with a connector.



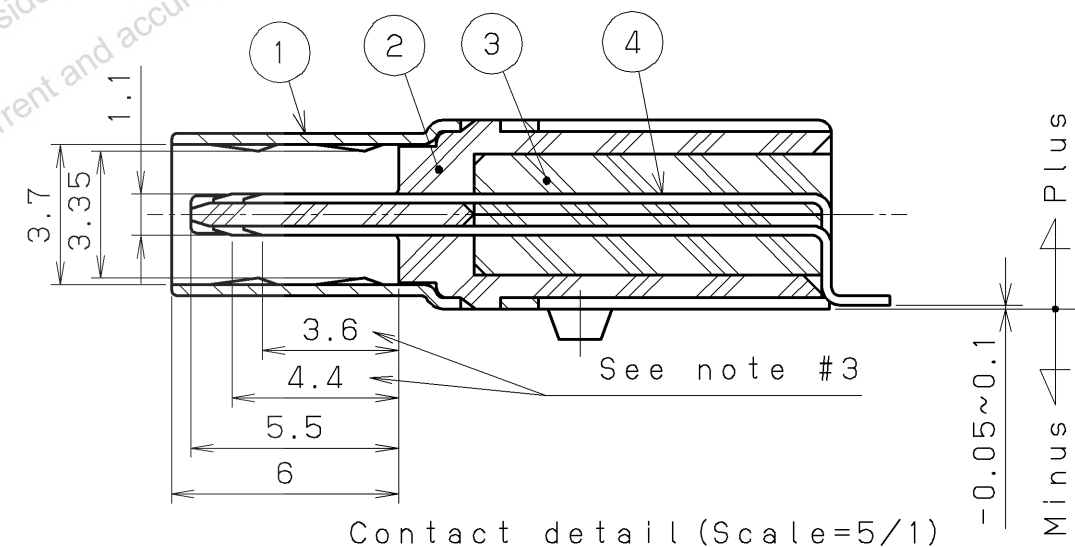
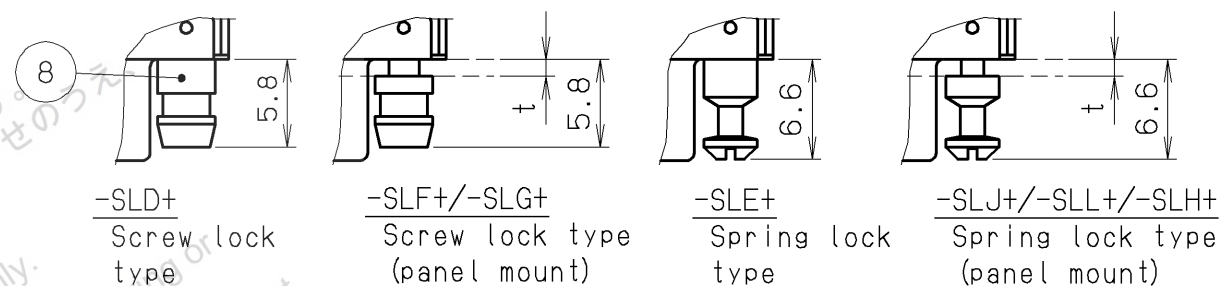
Type-I (See table-2.) Type-II (See table-2.)



Recommended P.C.B. layout

△ Table-1. Lock screws

Part No.	Type	Panel thickness: t	Note
HDR-EA14LMY ( ) G1-SLD+	Screw lock type	—	—
HDR-EA14LMY ( ) G1-SLF+	Screw lock type	0.89±0.08	See note. #4
HDR-EA14LMY ( ) G1-SLG+	(panel mount)	1.12±0.08	See note. #4
HDR-EA14LMY ( ) G1-SLE+	Spring lock type	—	—
HDR-EA14LMY ( ) G1-SLJ+	Spring lock type	0.8±0.08	See note. #4
HDR-EA14LMY ( ) G1-SLL+	(panel mount)	1.0±0.08	See note. #4
HDR-EA14LMY ( ) G1-SLH+	Spring lock type	1.2±0.08	See note. #4



Contact detail (Scale=5/1)

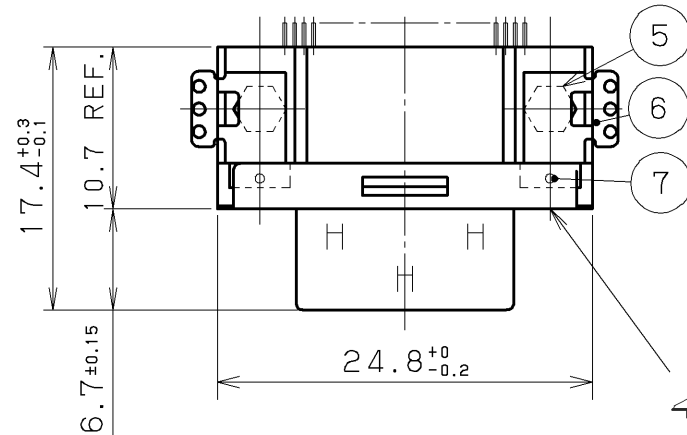
8	Lock screw	Steel	2	Nickel plating	M2x0.4
7	Sqr. nut	Brass	2	Nickel plating	M2x0.4
6	Earth plate	Phosphor bronze	2	Nickel plating	—
5	Hex. nut	Steel	Table-2	Nickel plating	M2x0.4
4	Contact	Phosphor bronze	14	Note. #2	—
3	Insulator B	PPS (GF)	1	—	UL94V-0 Black
2	Insulator A	PPS (GF)	1	—	UL94V-0 Black
1	Shell	Steel	1	Nickel plating	—

△	DATE	BY	REV.	DESCRPT	No.	PART NAME	MATERIAL	QTY	FINISH	NOTE
△	Mar. 18, 2009	H. A.	Revised.							

△ Table-2. Mounting structure

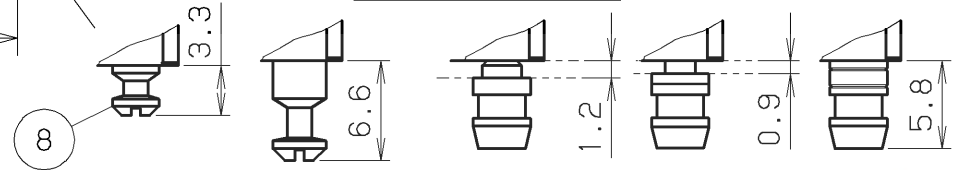
Part No.	Mounting structure	Qty. of hex. nut	P.C.B. thickness
HDR-EA14LMYPG1-( )+	Type-I (Screw + Hold down)	2	1.0
HDR-EA14LMYWG1-( )+	Type II (Lock pin + Hold down)	—	1.6

DATE	SCALE	UNIT	3RD. A. P	HONDA TSUSHIN KOGYO CO., LTD.						
Mar. 29 (2004)	2 / 1	mm (INCH)		DR.	DE.	CHK.	CHK.	APP.	NAME	0.8mm spacing 14 pos. right angle male connector
				H. AIZAWA	H. AIZAWA	K. TAKAHASHI	—	K. KASAI	PART NO.	HDR-EA14LMY ( ) G1-( ) +
								REV.	1A	

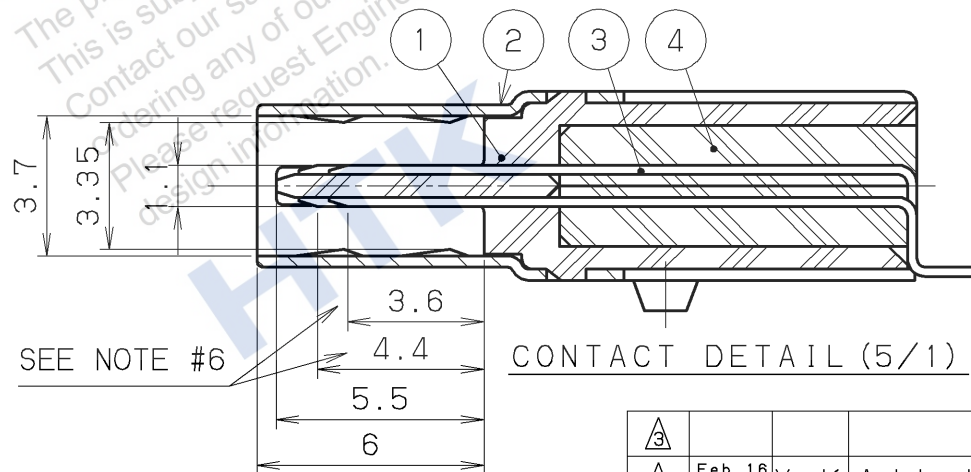
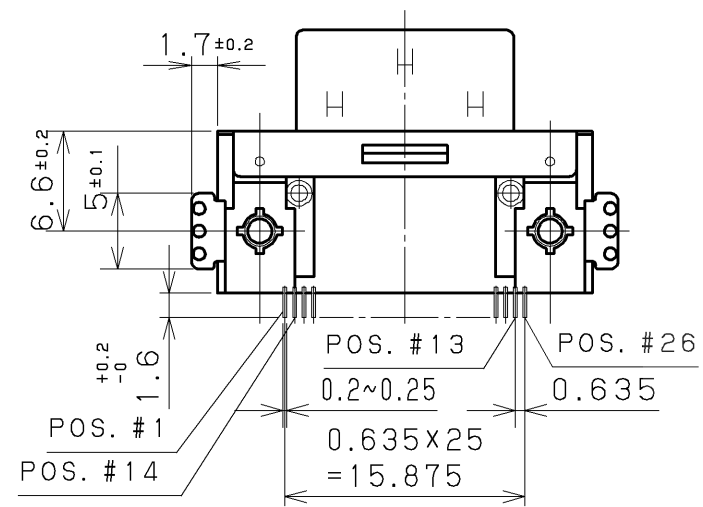
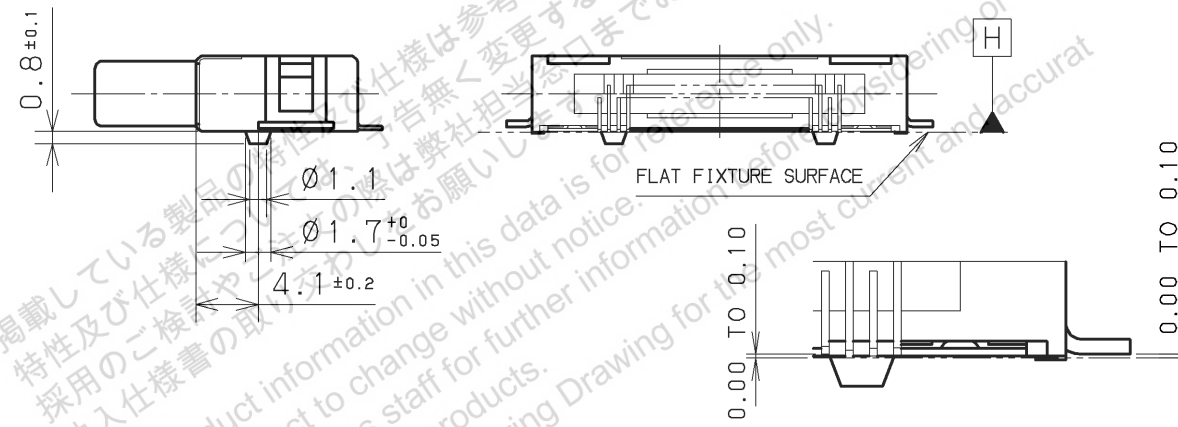
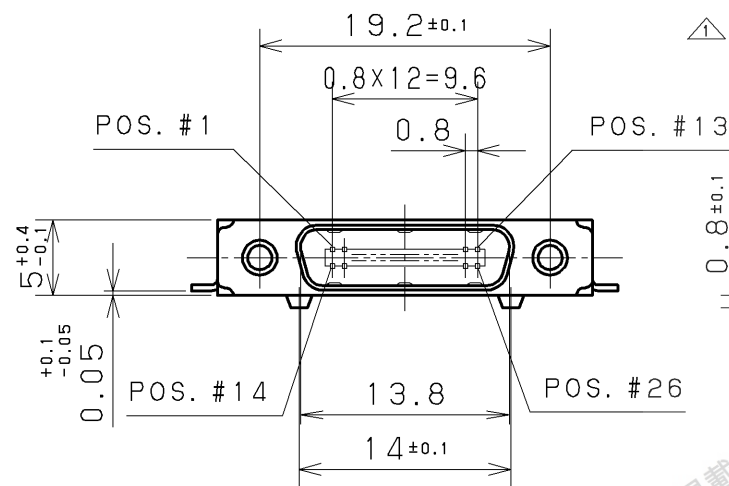


PART No.	TYPE	NOTE
HDR-EA26LMYPG1+		
HDR-EA26LMYPG1-SLD+	SCREW LOCK	
HDR-EA26LMYPG1-SLE+	SPRING LOCK TYPE (6.6)	
HDR-EA26LMYPG1-SLF+	SCREW LOCK (PANEL 0.9)	SEE NOTE. #4
HDR-EA26LMYPG1-SLG+	SCREW LOCK (PANEL 1.2)	SEE NOTE. #4
HDR-EA26LMYPG1-SLK+	SPRING LOCK TYPE (3.3)	

LOCK SCREWS

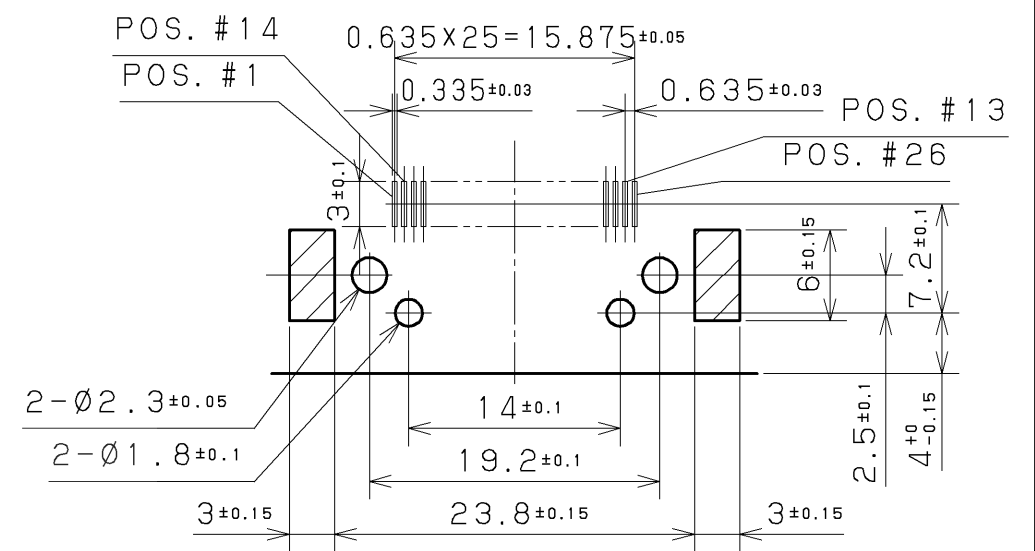


△ SPRING LOCK TYPE  
 SCREW LOCK TYPE M2x0.4 PANEL MOUNT  
 SCREW LOCK TYPE M2x0.4



6. CONTACT SEQUENCE

CONTACT LENGTH	CONTACT POS. NO.
4.4mm	POS. #1, 13, 14, 26
3.6mm	OTHERS



RECOMMENDED P. C. B. LAYOUT

- CONTACT PLATING  
 MATING AREA  
 0.76 MICRO METERS MINIMUM GOLD PLATING  
 TERMINATION AREA  
 0.05 MICRO METERS MINIMUM GOLD PLATING  
 UNDERPLATING: NICKEL PLATING 1µm
- MATING CONNECTOR  
 HDR-E26F ( ) G ( ) +
- SPECIFICATION  
 RATED CURRENT 0.5A  
 RATED VOLTAGE 125V AC (r. m. s.)
- TWO LOCK SCREWS ARE SUPPLIED WITH A CONNECTOR.
- THE DIMENSION OF PIN TAIL'S LOWER SURFACE TO DETUM 'H' SURFACE: 0.00 TO 0.10.  
 THE CONECTOR SHOULD BE ON FLAT FIXTURE SURFACE WHEN THE DIMENSIONS ARE MEASURED.

8	LOCK SCREW	STEEL	2	NICKEL PLATING	M2x0.4
7	HEX. NUT	STEEL	2	NICKEL PLATING	M2x0.4
6	EARTH PLATE	PHOSPHOR BRONZE	2	NICKEL PLATING	
5	SQR. NUT	BRASS	2	NICKEL PLATING	M2x0.4
4	INSULATOR B	PPS (GF)	1		UL94V-0 BLACK COLOR
3	CONTACT	PHOSPHOR BRONZE	26	SEE NOTE #2	
2	SHELL	STEEL	1	NICKEL PLATING	
1	INSULATOR A	PPS (GF)	1		UL94V-0 BLACK COLOR

REV.	DATE	BY	REV. DESCRIPT	No.	PART NAME	MATERIAL	QTY	FINISH	NOTE
△	Feb. 16 2012	Y. K	Added P/N	2	SHELL	STEEL	1	NICKEL PLATING	
△	Nov. 30 2005	Y. K	Revise	1	INSULATOR A	PPS (GF)	1		UL94V-0 BLACK COLOR

LTR.	DATE	BY	REV. DESCRIPT	No.	PART NAME	MATERIAL	QTY	FINISH	NOTE
	DATE		SCALE		UNIT				
	Feb. 23. 2004		2/1		mm (INCH)				
	APP. DATE&REV.								
	DR.	DE.	CHK.	CHK.	APP.				
	Y. KATO	Y. KATO		M. KASHIHARA	H. EBIHARA				
	NAME					0.8mm SPACING 26POS. RIGHTANGLE MALE CONNECTOR			
	PART NO.					HDR-EA26LMYPG1- ( ) +			
						REV. 2B			