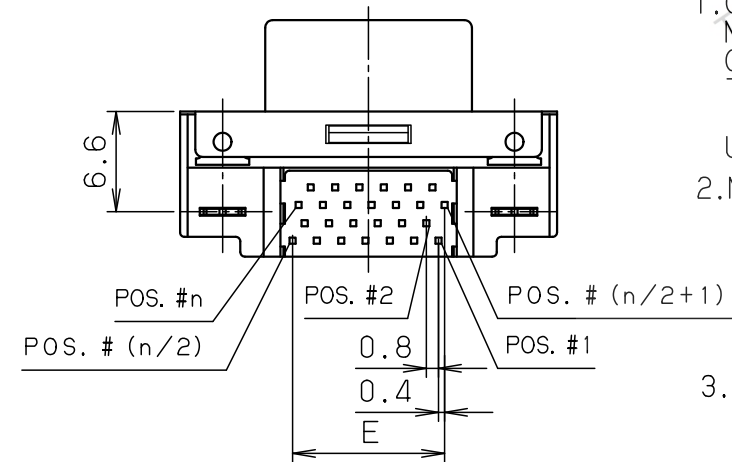
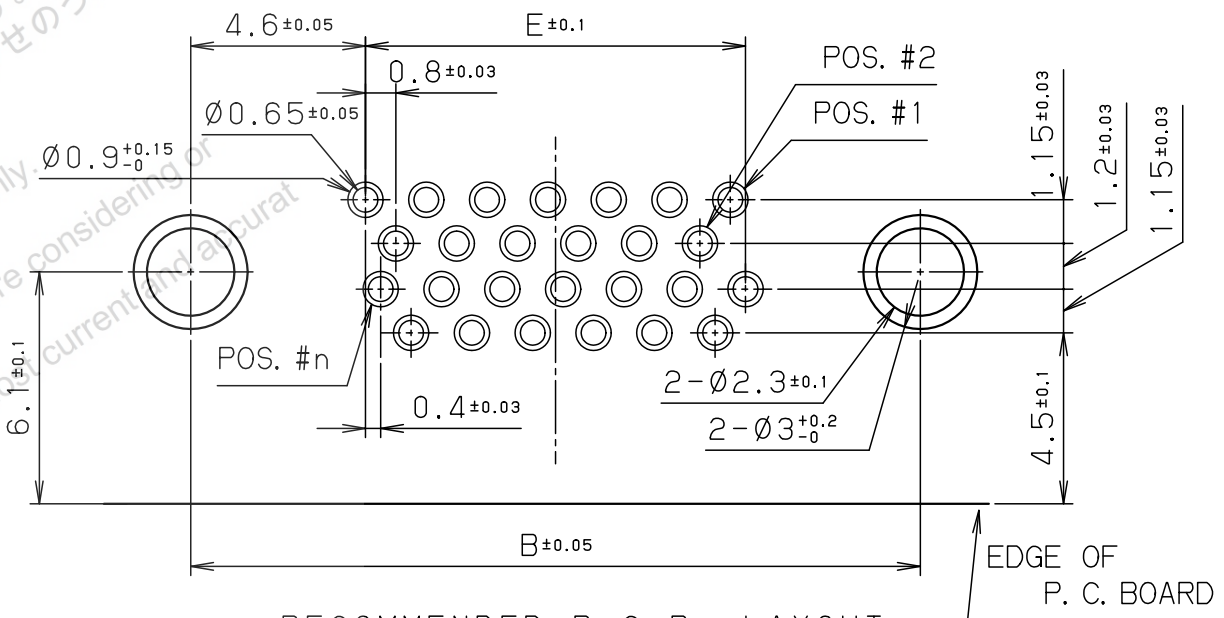
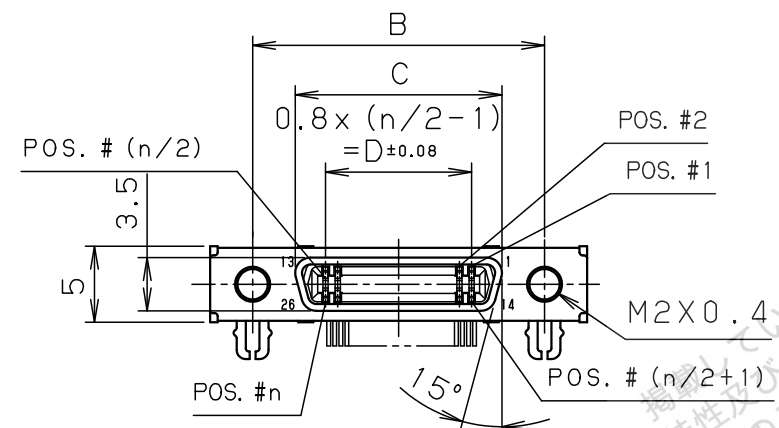
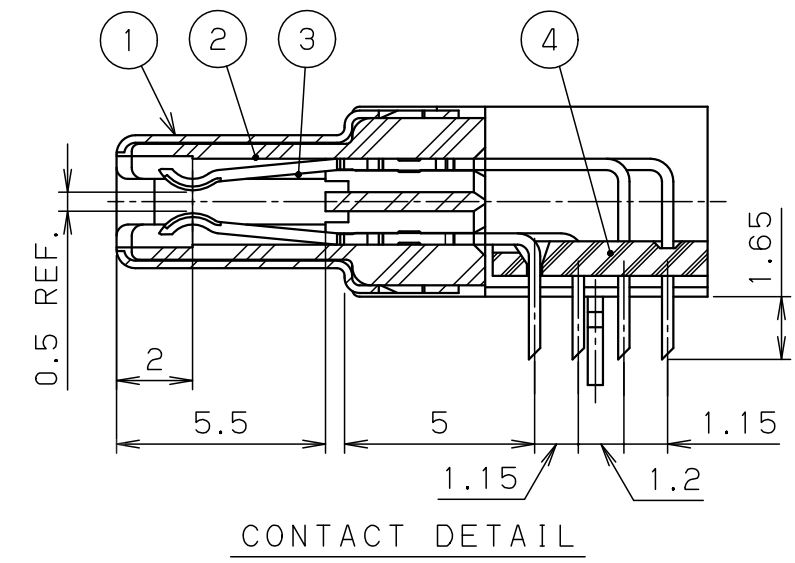
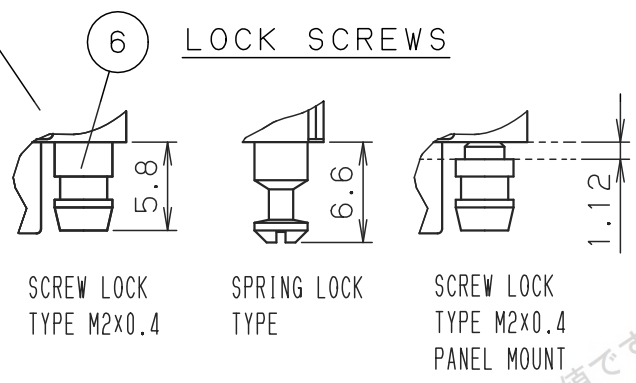


PART No.	TYPE	NOTE
HDR-EC () LFDT+	—	—
HDR-EC () LFDT-SLD+	SCREW LOCK TYPE	—
HDR-EC () LFDT-SLE+	SPRING LOCK TYPE	—
HDR-EC () LFDT-SLG+	SCREW LOCK (PANEL MOUNT)	SEE NOTE. #4



- NOTE
- CONTACT PLATING
MATING AREA: 0.1 MICRO METERS MINIMUM GOLD PLATING
OVER PALLADIUM/NICKEL 0.5 MICRO METERS PLATING
TERMINATION AREA: 0.05 MICRO METERS MINIMUM GOLD PLATING
UNDERPLATING: NICKEL PLATING
 - MATING CONNECTOR
HDR-E () MAG1+
 - SPECIFICATION
RATED CURRENT 0.5A
RATED VOLTAGE 125V AC (r. m. s.)
 - TWO LOCK SCREWS ARE SUPPLIED WITH A CONNECTOR.

6	LOCK SCREW	STEEL	2	NICKEL	—
5	BOARD LOCK	PHOSPHOR BRONZE	2	TIN	—
4	BRACKET	PPS (GF)	1	—	UL94V-0 BLACK
3	FEMALE CONTACT	PHOSPHOR BRONZE	n	NOTE. #1	—
2	INSULATOR	PA9T (GF)	1	—	UL94V-0 BLACK
1	SHELL	STEEL	1	NICKEL	—

LTR.	DATE	BY	REV.	DESCRIPT	No.	PART NAME	MATERIAL	QTY	FINISH	NOTE
△										
△										
△	Aug 22 2024	S. Y		INDICATION CHANGE	1	SHELL	STEEL	1	NICKEL	—

DATE	SCALE	UNIT	3RD. A. P	HTK HONDA TSUSHIN KOGYO CO., LTD.						
Jan. 20. 2005	2 / 1	mm (INCH)								
APP. DATE & REV.				DR.	DE.	CHK.	CHK.	APP.	NAME	0.8mm SPACING RIGHTANGLE FEMALE CONNECTOR
				S. YOSHIDA	S. YOSHIDA	S. SEK I	—	T. SOGO	PART NO.	HDR-EC () LFDT- () +
									REV.	1A

HDR-EC50LFDT- () +	50	34.4	28.8	23.2	0.8x24=19.2	19.6
HDR-EC26LFDT- () +	26	24.8	19.2	13.6	0.8x12=9.6	10
HDR-EC14LFDT- () +	14	20	14.4	8.8	0.8x6=4.8	5.2
PART NO.	n (NO. OF POS.)	A	B	C	D	E
DIMENSIONS						