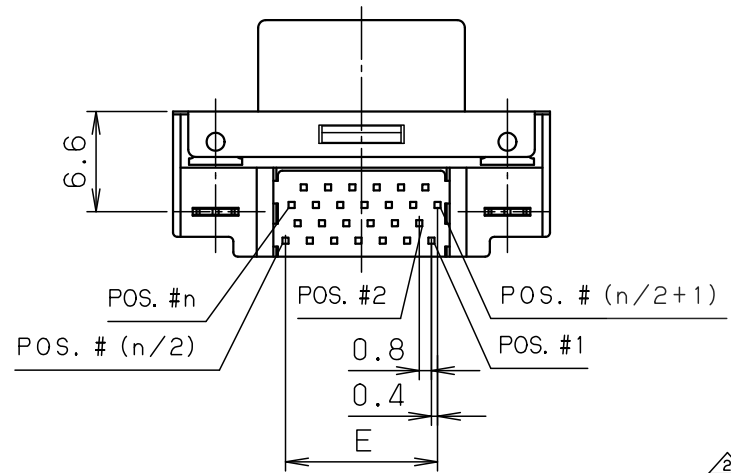
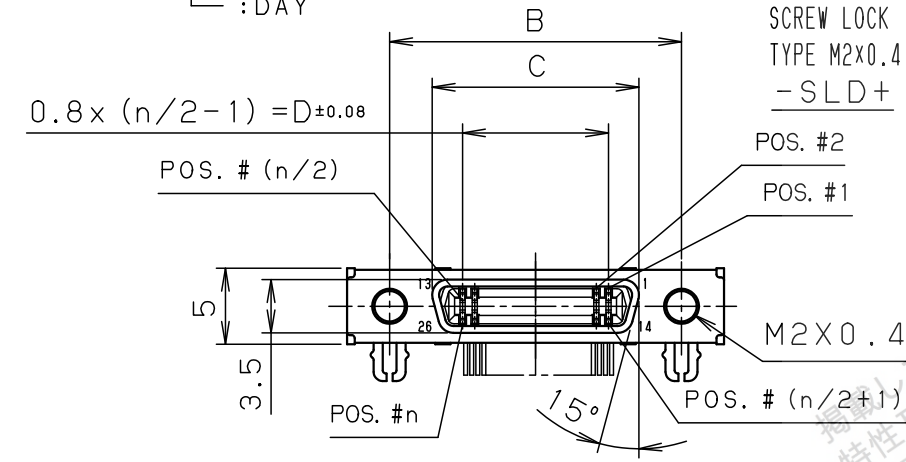
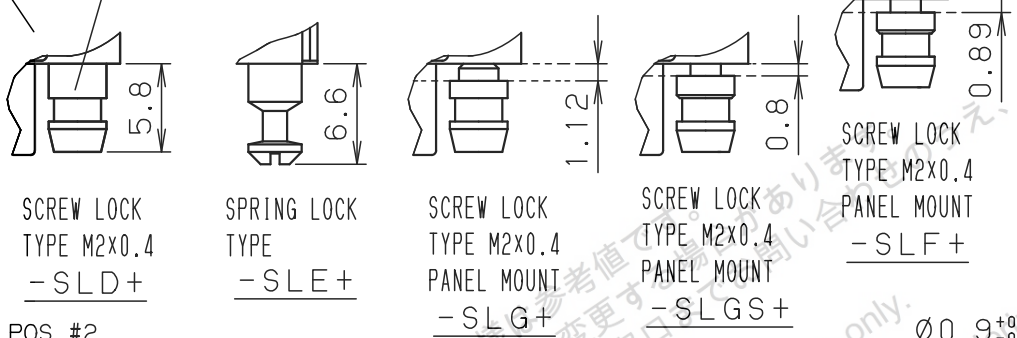


DATE CODE INDICATION

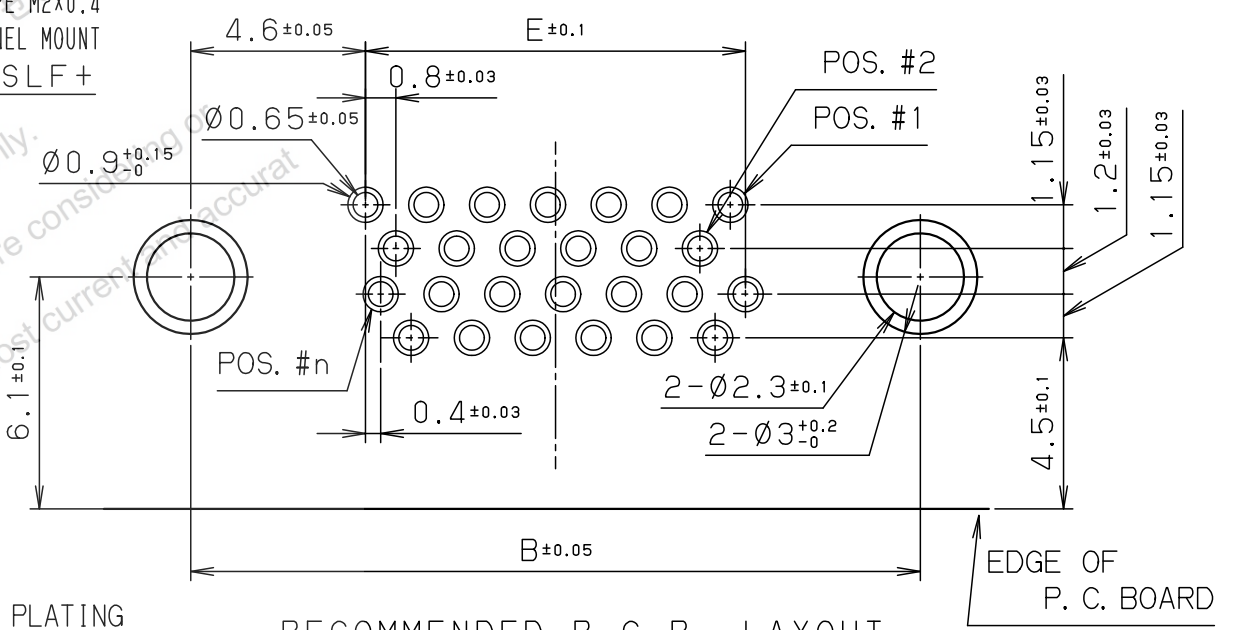
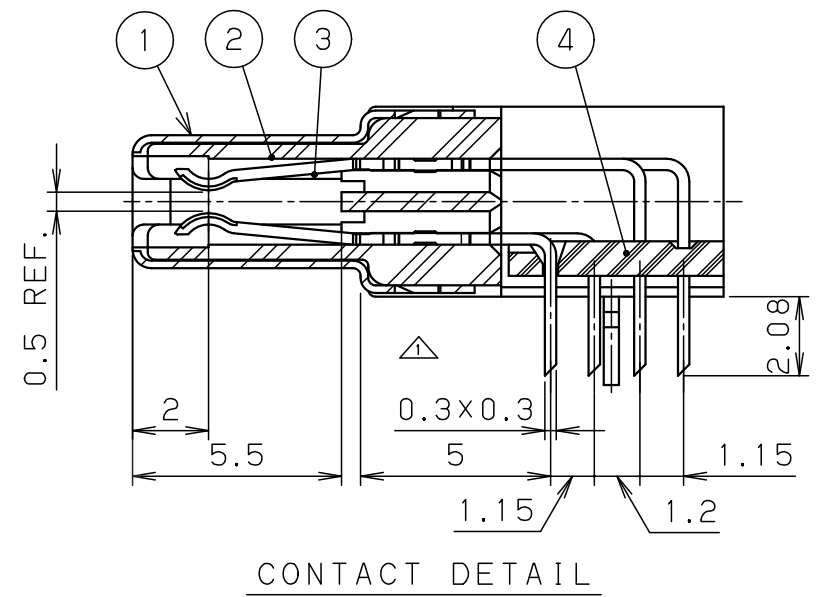
241001
 : YEAR
 : MONTH
 : DAY

PART No.	TYPE	NOTE
HDR-EC () LFDT1+		
HDR-EC () LFDT1-SLD+	SCREW LOCK TYPE	
HDR-EC () LFDT1-SLE+	SPRING LOCK TYPE	
HDR-EC () LFDT1-SLG+	SCREW LOCK (PANEL MOUNT)	SEE NOTE. #4
HDR-EC () LFDT1-SLGS+	SCREW LOCK (PANEL MOUNT)	SEE NOTE. #4 AND #5
HDR-EC () LFDT1-SLF+	SCREW LOCK (PANEL MOUNT)	SEE NOTE. #4
HDR-EC () LFDT1-SLM+	SCREW LOCK (PANEL MOUNT)	SEE NOTE. #4

LOCK SCREWS



- NOTE
- CONTACT PLATING
 MATING AREA: 0.1 MICRO METERS MINIMUM GOLD PLATING
 OVER PALLADIUM/NICKEL 0.5 MICRO METERS PLATING
 TERMINATION AREA: GOLD FLASH
 UNDERPLATING: NICKEL PLATING
 - MATING CONNECTOR
 HDR-E () MAG1+
 - SPECIFICATION
 RATED CURRENT 0.5A
 RATED VOLTAGE 125V AC (r. m. s.)
 - TWO LOCK SCREWS ARE SUPPLIED WITH A CONNECTOR.
 - ADHESIVE IS PRE-APPLIED TO THE THREAD FOR THE PREVENTION OF SCREW LOOSENESS.



RECOMMENDED P. C. B. LAYOUT (MOUNT SIDE VIEW)
 (t=1.6 SCALE=5/1)

HDR-EC50LFDT1-()+	50	34.4	28.8	23.2	0.8x24=19.2	19.6	YES
HDR-EC26LFDT1-()+	26	24.8	19.2	13.6	0.8x12=9.6	10	YES
HDR-EC14LFDT1-()+	14	20	14.4	8.8	0.8x6=4.8	5.2	YES
PART NO.	n (NO. OF POS.)	A	B	C	D	E	RELEASE
DIMENSIONS							

LTR.	DATE	BY	REV.	DESCRIPT	No.	PART NAME	MATERIAL	QTY	FINISH	NOTE
△	Aug 22 2024	S. Y		INDICATION CHANGE	6	LOCK SCREW	STEEL	2	NICKEL	
△	Aug 03 2012	M. K		ADD P/N.	5	BOARD LOCK	PHOSPHOR BRONZE	2	TIN	
△	Jul 13 2012	M. K		ADD P/N.	4	BRACKET	PPS (GF)	1		UL94V-0 BLACK
△	Oct 06 2009	K. E		ADD P/N.	3	FEMALE CONTACT	PHOSPHOR BRONZE	n	NOTE. #1	
△	Oct 18 2005	Y. K		Added Dim.	2	INSULATOR	PA9T (GF)	1		UL94V-0 BLACK

DATE	SCALE	UNIT	3RD. A. P	HTK HONDA TSUSHIN KOGYO CO., LTD.		
May. 25. 2005	2 / 1	mm (INCH)		DR.	DE.	CHK.
APP. DATE&REV.				CHK.	APP.	NAME
				S. YOSHIDA	S. YOSHIDA	S. SEK1
				T. SOGO		
				PART NO.		HDR-EC () LFDT1-()+
				REV.		5G