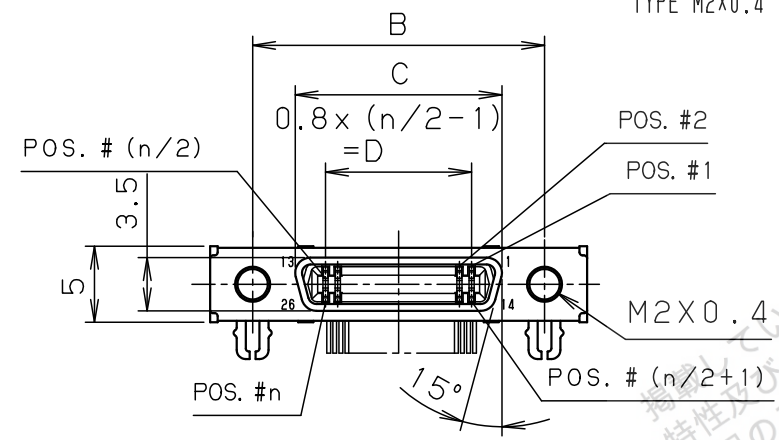
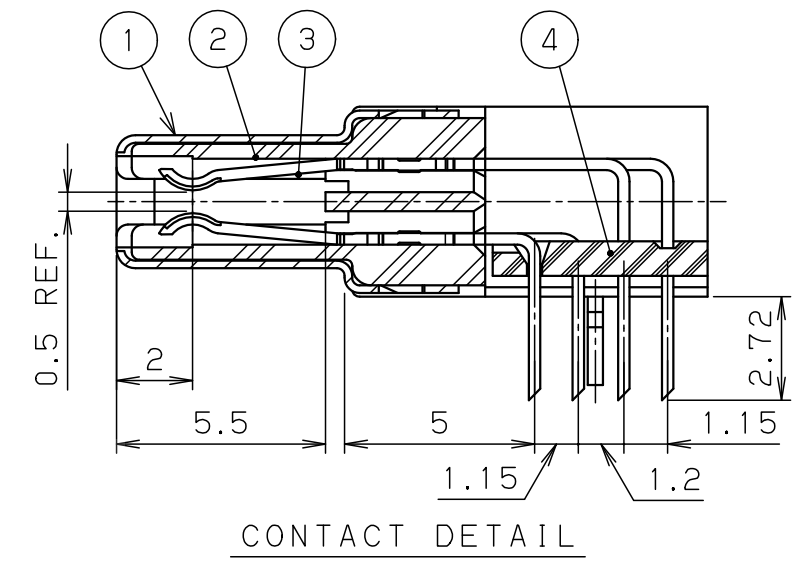
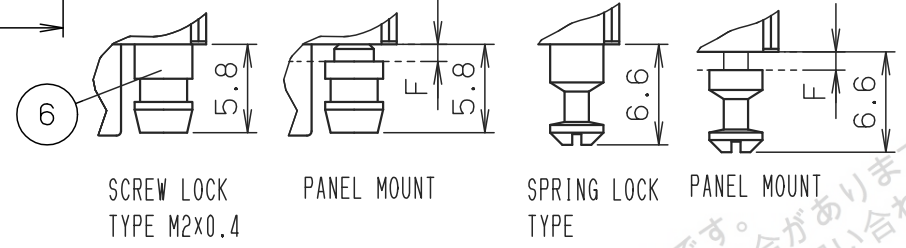


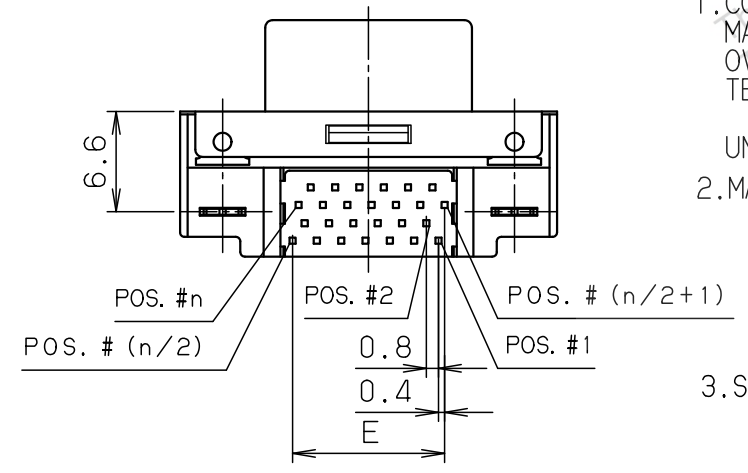
DATE CODE INDICATION
 241001
 : YEAR
 : MONTH
 : DAY

PART No.	TYPE	PANEL F (mm)	NOTE
HDR-EC () LFDT2+			
HDR-EC () LFDT2-SLD+	SCREW LOCK TYPE	0	
HDR-EC () LFDT2-SLE+	SPRING LOCK TYPE	0	
HDR-EC () LFDT2-SLF+	SCREW LOCK (PANEL MOUNT)	1.0	SEE NOTE. #4
HDR-EC () LFDT2-SLG+	SCREW LOCK (PANEL MOUNT)	1.12	SEE NOTE. #4
HDR-EC () LFDT2-SLH+	SPRING LOCK TYPE (PANEL MOUNT)	1.2	SEE NOTE. #4
HDR-EC () LFDT2-SLJ+	SPRING LOCK TYPE (PANEL MOUNT)	0.8	SEE NOTE. #4
HDR-EC () LFDT2-SLL+	SPRING LOCK TYPE (PANEL MOUNT)	1.0	SEE NOTE. #4

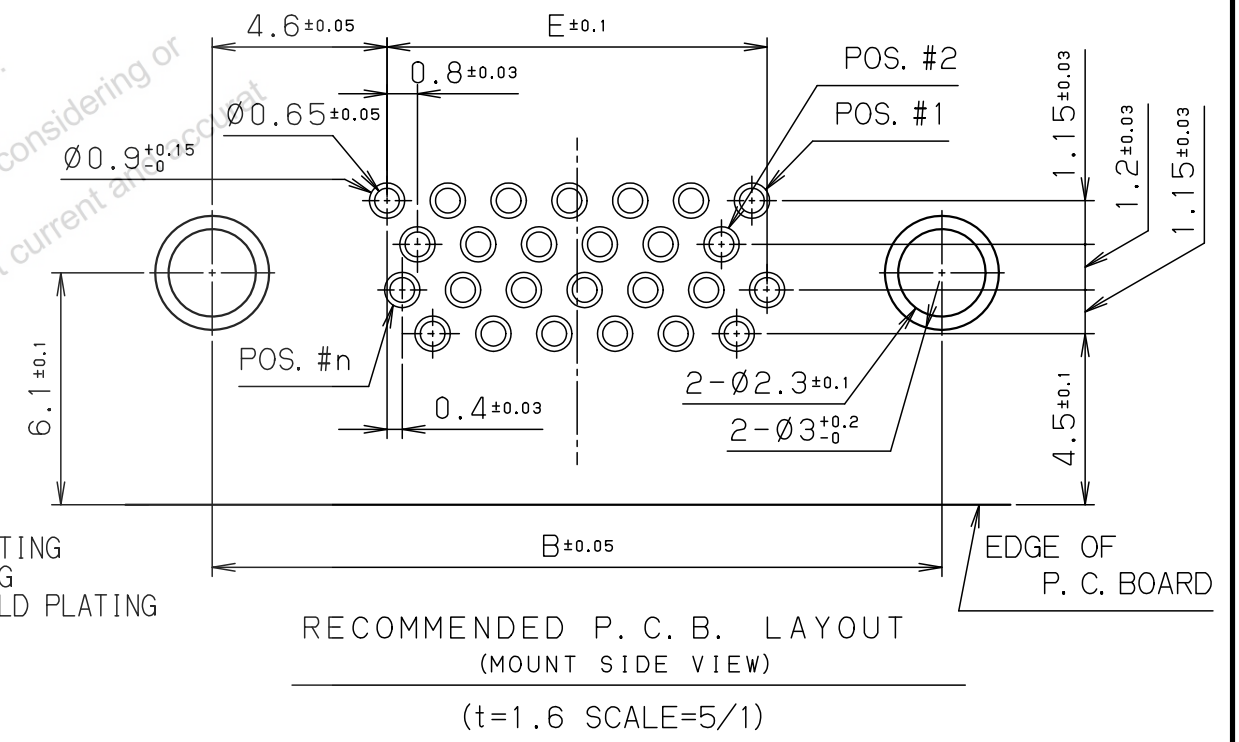
LOCK SCREWS



NOTE
 1. CONTACT PLATING
 MATING AREA: 0.1 MICRO METERS MINIMUM GOLD PLATING OVER PALLADIUM/NICKEL 0.5 MICRO METERS PLATING
 TERMINATION AREA: 0.05 MICRO METERS MINIMUM GOLD PLATING
 UNDERPLATING: NICKEL PLATING
 2. MATING CONNECTOR
 HDR-E () MAG1+



3. SPECIFICATION
 RATED CURRENT 0.5A
 RATED VOLTAGE 125V AC (r. m. s.)
 4. TWO LOCK SCREWS ARE SUPPLIED WITH A CONNECTOR.



HDR-EC50LFDT2-()+	50	34.4	28.8	23.2	0.8x24=19.2	19.6
HDR-EC26LFDT2-()+	26	24.8	19.2	13.6	0.8x12=9.6	10
HDR-EC14LFDT2-()+	14	20	14.4	8.8	0.8x6=4.8	5.2
PART NO.	n (NO. OF POS.)	A	B	C	D	E

REV.	DATE	BY	REV. DESCRIPT	No.	PART NAME	MATERIAL	QTY	FINISH	NOTE
6	Aug. 22 2024	S. Y	INDICATION CHANGE	6	LOCK SCREW	STEEL	2	NICKEL	
5	Nov. 16 2010	Y. K	Add P/N	5	BOARD LOCK	PHOSPHOR BRONZE	2	TIN	
4	Dec. 21 2007	Y. K	Add P/N	4	BRACKET	PPS (GF)	1		UL94V-0 BLACK
3	Jun. 27 2007	Y. K	Add P/N	3	FEMALE CONTACT	PHOSPHOR BRONZE	n	NOTE. #1	
2	Apr. 10 2007	Y. K	Add P/N	2	INSULATOR	PA9T (GF)	1		UL94V-0 BLACK
1	Oct. 18 2004	Y. K	50 pos.	1	SHELL	STEEL	1	NICKEL	

LTR.	DATE	BY	REV.	DESCRIP	No.	PART NAME	MATERIAL	QTY	FINISH	NOTE
	DATE		SCALE		UNIT					
	Jun. 1. 2004		2 / 1		mm (INCH)					
	APP. DATE&REV.									
	DR.	DE.	CHK.	CHK.	APP.	NAME	0.8mm SPACING RIGHTANGLE FEMALE CONNECTOR			
	S. YOSHIDA	S. YOSHIDA	S. SEK1		T. SOGO	PART NO.	HDR-EC () LFDT2-()+			REV. 6F