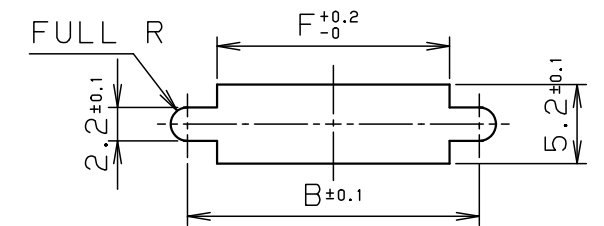
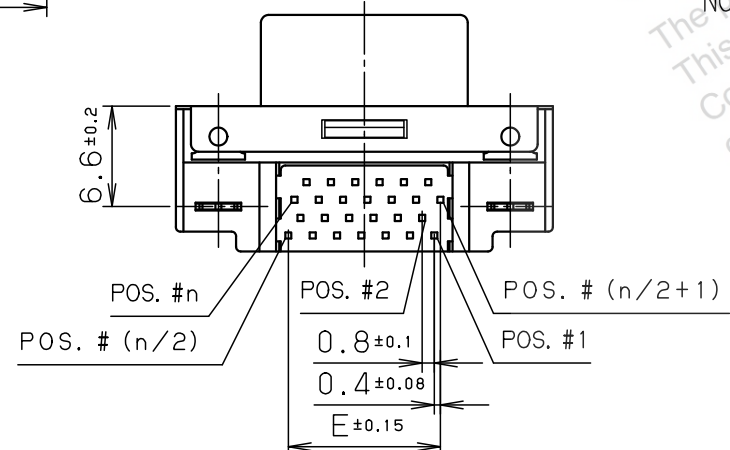
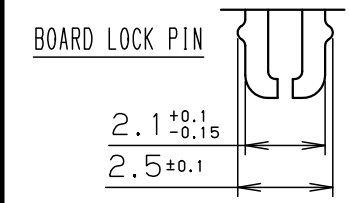
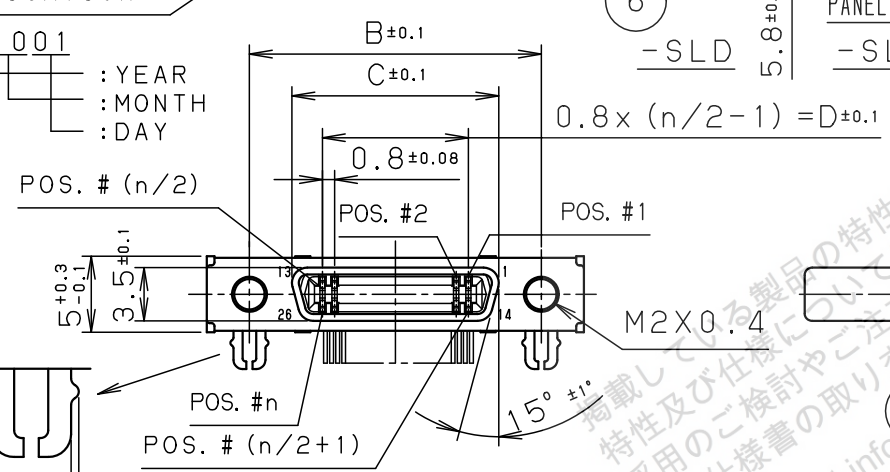
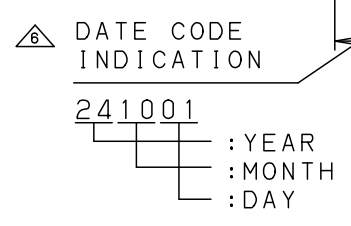
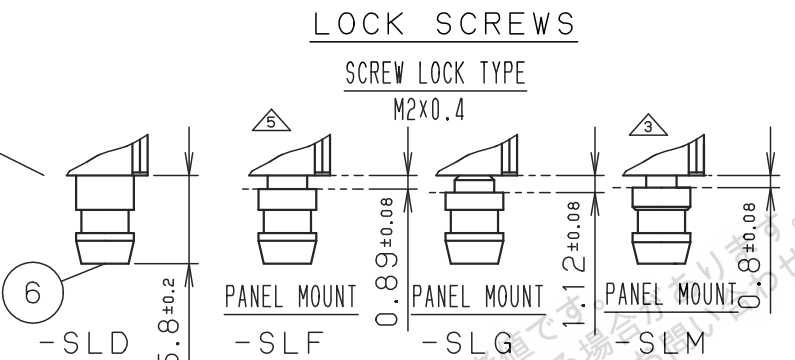
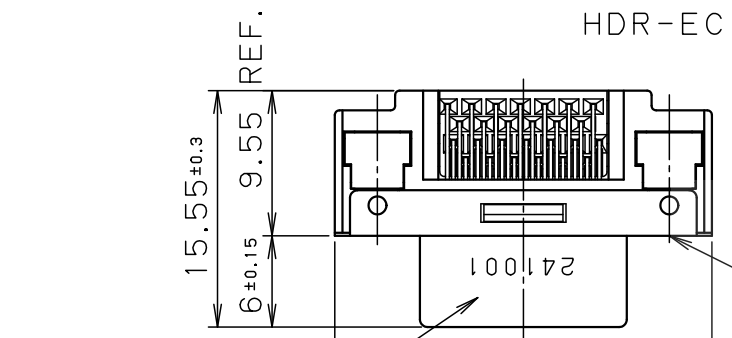
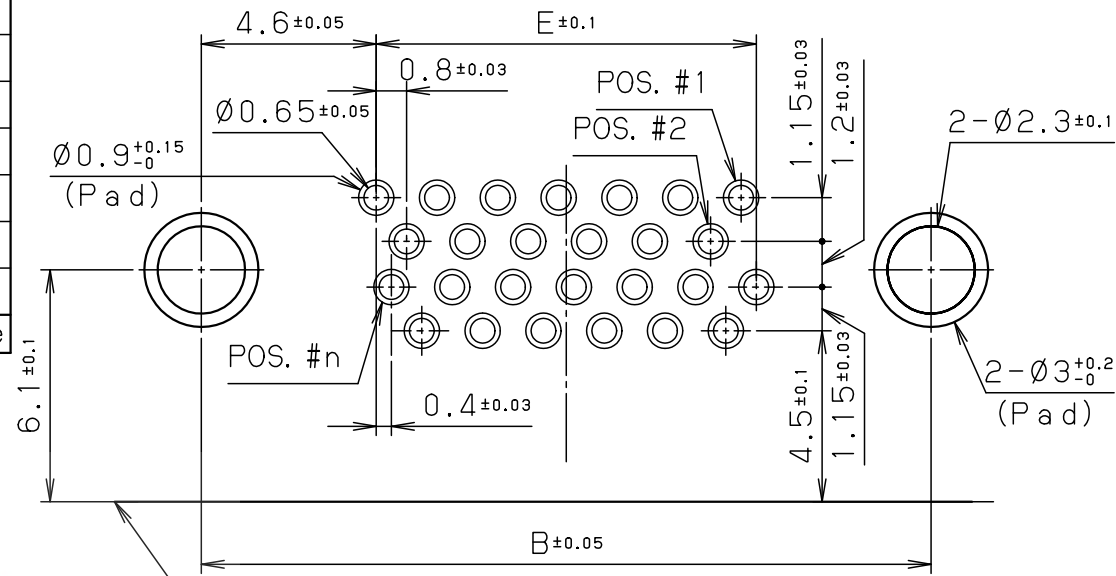


50	34.4	28.8	23.2	0.8x24=19.2	19.6	24.9
26	24.8	19.2	13.6	0.8x12=9.6	10	15.3
14	20	14.4	8.8	0.8x6=4.8	5.2	10.5
n (No. of pos.)	A	B	C	D	E	F

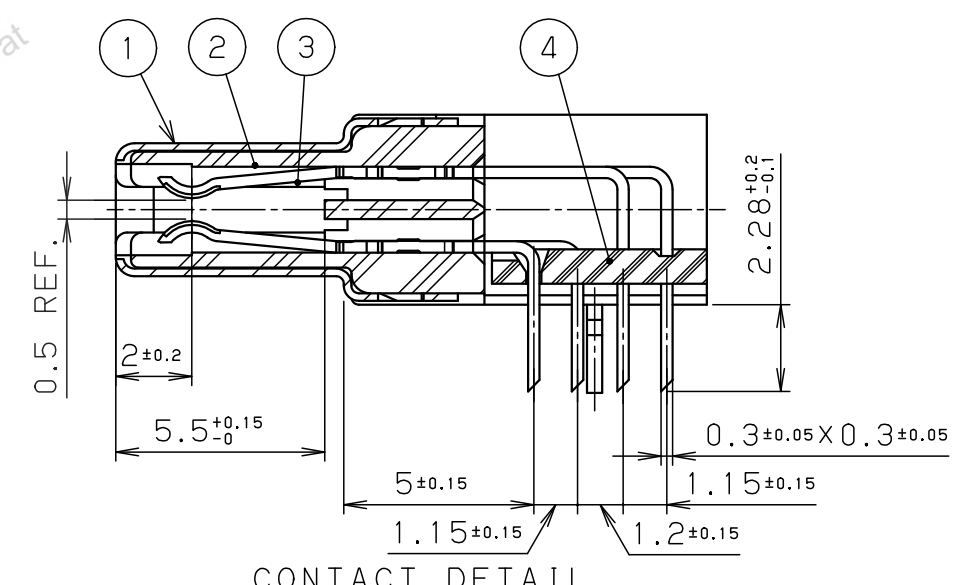
Dimensions

	W/O lock screws		
-SLD	Screw lock		
-SLE	Spring lock		
-SLF	Screw (panel mount)	0.89	Note.#4
-SLG	Screw (panel mount)	1.12	Note.#4
-SLH	Spring (panel mount)	1.2	Note.#4
-SLM	Screw (panel mount)	0.8	Note.#4
	Lock type	Panel thickness	Note



RECOMMENDED PANEL CUT-OUT DIMENSIONS

NOTE
 1. CONTACT PLATING
 MATING AREA : 0.76 MICROMETERS MINIMUM GOLD PLATING
 TERMINATION AREA : 0.05 MICROMETERS GOLD PLATING
 UNDERPLATING : NICKEL PLATING
 2. MATING CONNECTOR
 HDR-E () MAG1+
 HDR-E () MSG1+
 3. SPECIFICATION
 RATED CURRENT 0.5A
 RATED VOLTAGE 125V AC (r. m. s.)
 4. TWO LOCK SCREWS ARE SUPPLIED WITH A CONNECTOR.



△	JUN 28 2024	S. Y	INDICATION CHANGE	6	LOCK SCREW	STEEL	2	NICKEL PLATING	
△	Jan-26 2018	S. M	Add P/N	5	BOARD LOCK PIN	PHOSPHOR BRONZE	2	TIN PLATING	
△	Jul-11 2012	M. K	Add P/N	4	BRACKET	PPS (GF)	1		UL94V-0 BLACK
△	May-18 2011	Y. K	Revise (Tolerance)	3	FEMALE CONTACT	PHOSPHOR BRONZE	n	NOTE. #1	
△	Nov 20 2009	K. E	Add P/N	2	INSULATOR	PA9T (GF)	1		UL94V-0 BLACK
△	Nov-29 2007	Y. K	Add 50 pos.	1	SHELL	STEEL	1	NICKEL PLATING	

LTR.	DATE	BY	REV.	DESCRIPT	No.	PART NAME	MATERIAL	QTY	FINISH	NOTE
	DATE		SCALE		UNIT					
	Nov.21, 2006		2 / 1		mm (INCH)					
	APP. DATE&REV.									
	DR.	DE.	CHK.	CHK.	APP.	NAME	0.8mm SPACING RIGHTANGLE FEMALE CONNECTOR			
	S. YOSHIDA	S. YOSHIDA	S. SEK1		T. SOGO	PART NO.	HDR-EC () LFDTG2- () +			
							REV. 6F			