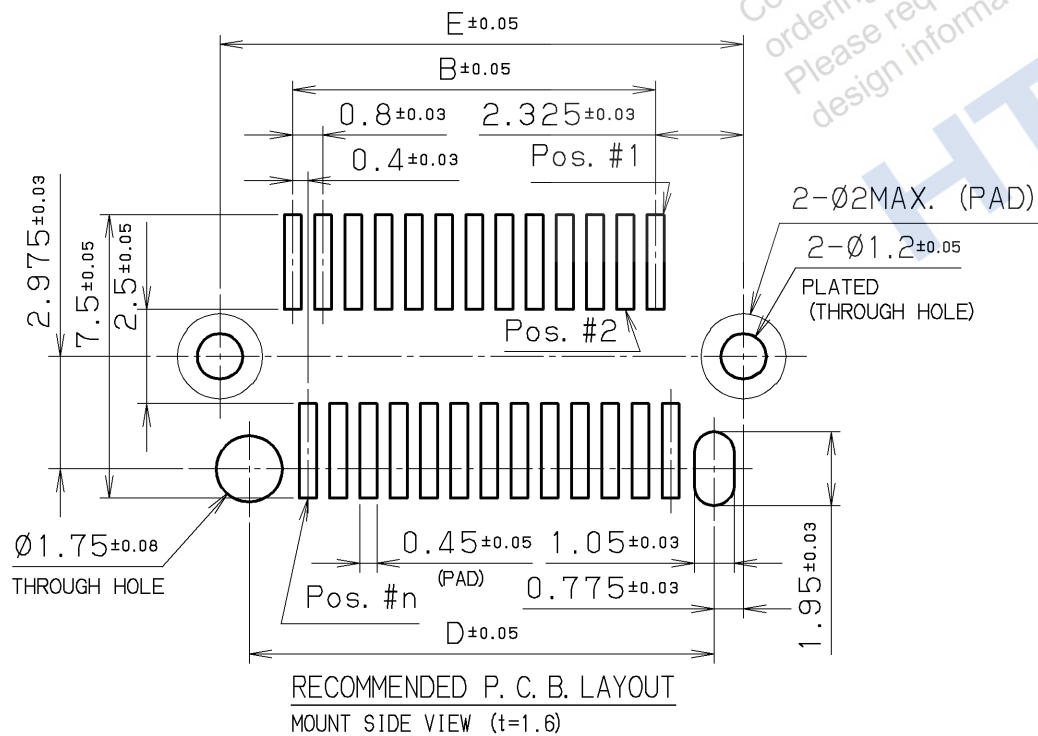
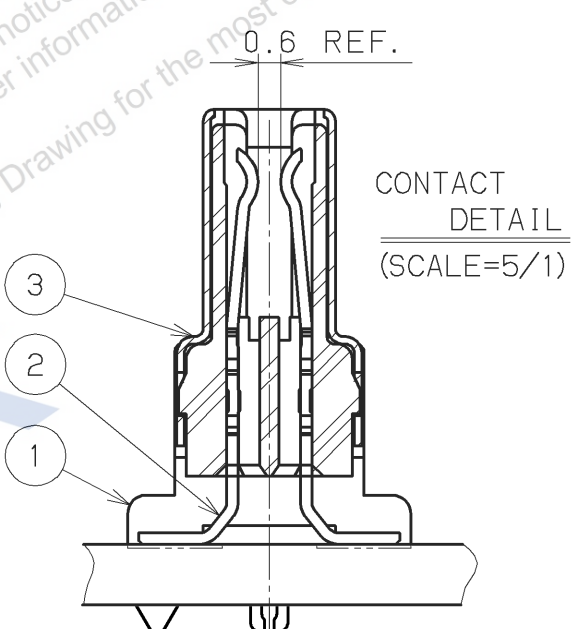
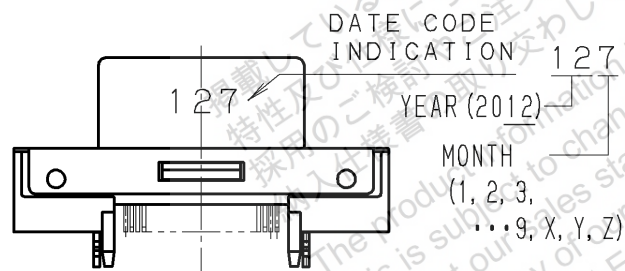
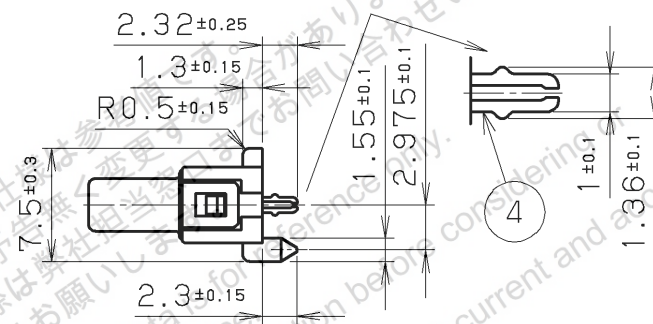
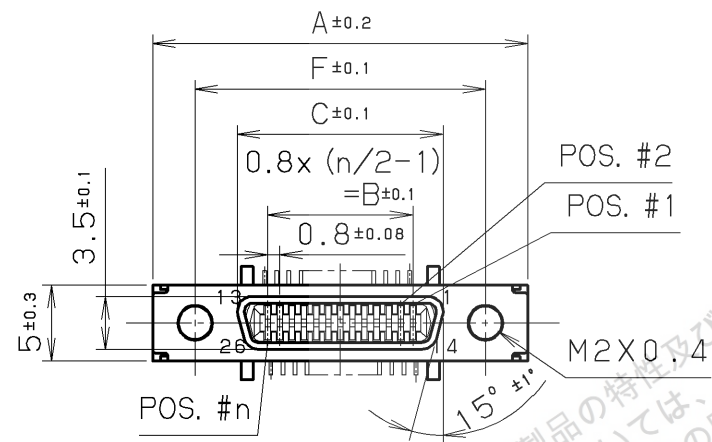
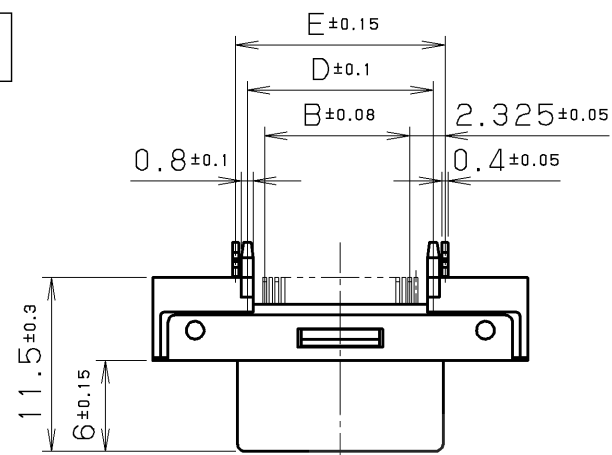


RoHS COMPLIANT



Note 1. Mating connector
HDR-E () MAG1+/HDR-E () MSG1+

2. Specification
Rated current 0.5A
Rated voltage 125V AC (r. m. s.)

3. P/N: HDR-EC*FYT*-**

- (3) Lock screws
- (2) Contact plating
- (1) No. of Pos.

4. This drawing shows HDR-EC26FYT () +.

(1) Dimensions

No. of Pos.	Dimensions						
	A	B	C	D	E	F	G
14	20	0.8x6=4.8	8.8	7.5	9.05	14.4	10.5
26	24.8	0.8x12=9.6	13.6	12.3	13.85	19.2	15.3

(2) Contact plating

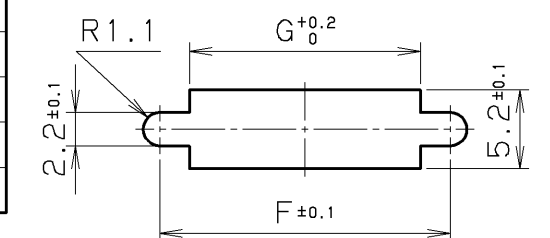
Mating area	
—	Gold 0.1µm+Palladium/nickel 0.5µm
G2	Gold 0.76µm

Terminal area: Gold plating 0.05µm
Underplating: Nickel plating 1.3µm

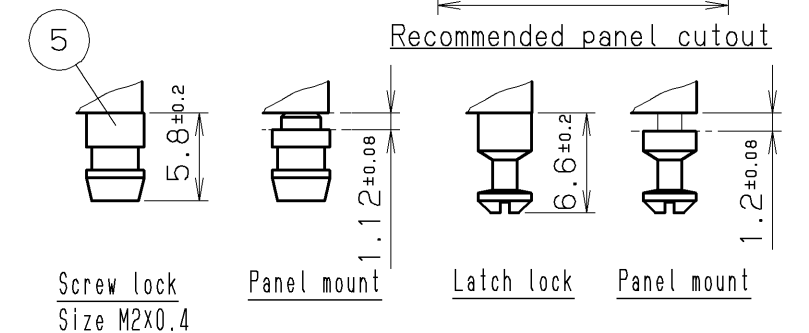
(3) Lock screws

Type	
SL	Screw lock (Panel mount)
SLD	Screw lock
SLE	Latch lock
SLH	Latch lock (Panel mount)

* Two lock screws are supplied with a connector.



Recommended panel cutout



No.	PART NAME	MATERIAL	QTY	FINISH	NOTE
5	LOCK SCREW	STEEL	2	NICKEL PLATING	
4	BOARD LOCK PIN	PHOSPHOR BRONZE	2	TIN PLATING	
3	SHELL	STEEL	1	NICKEL PLATING	
2	CONTACT	PHOSPHOR BRONZE	n	SEE NOTE #3	
1	INSULATOR	PART	1		UL94V-0 BLACK

LTR.	DATE	BY	REV.	DESCRIPT	No.	PART NAME	MATERIAL	QTY	FINISH	NOTE
	July-20,2012		2 / 1		3RD. A. P					
DATE SCALE UNIT						HTK HONDA TSUSHIN KOGYO CO., LTD.				
APP. DATE&REV.						NAME 0.8mm SPACING FEMALE CONNECTOR (SMT TYPE)				
DR.	DE.	CHK.	CHK.	APP.	PART NO. HDR-EC () FYT () - () + REV.					
K. OOKU	K. OOKU	K. ENDO	S. WATANABE	Y. KATO						