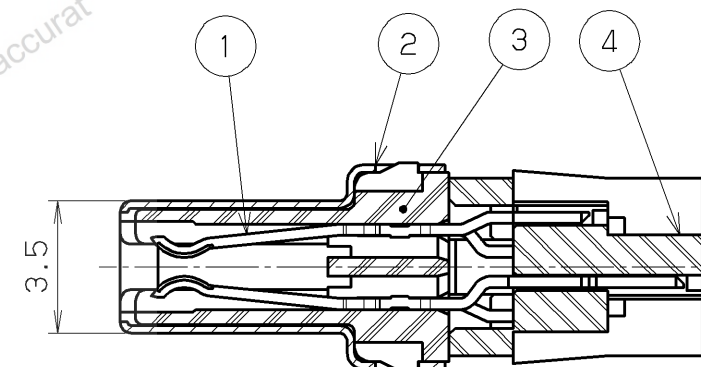
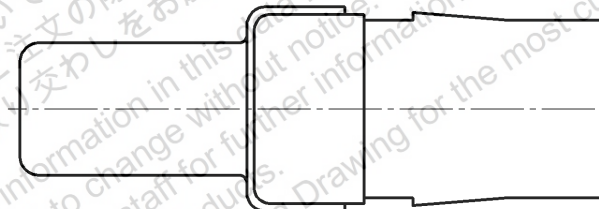


Note 1. Contact plating  
 Mating area: 0.76 micro meters minimum gold plating  
 Termination area: 0.05 micro meters gold plating  
 Underplating: Nickel plating

2. Applicable cable cover  
 P/N: HDR-E14LPH  
 HDR-E14LPH ( ) +

3. Mating connector  
 P/N: HDR-EA14LMY ( ) - ( ) +  
 HDR-E14M ( ) G1+  
 HDR-E14MS ( ) +

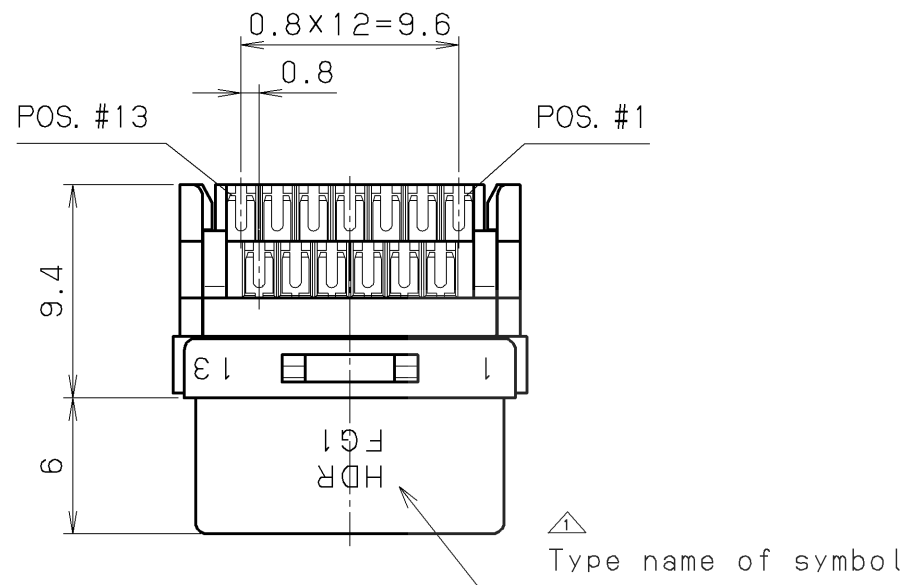


Contact detail

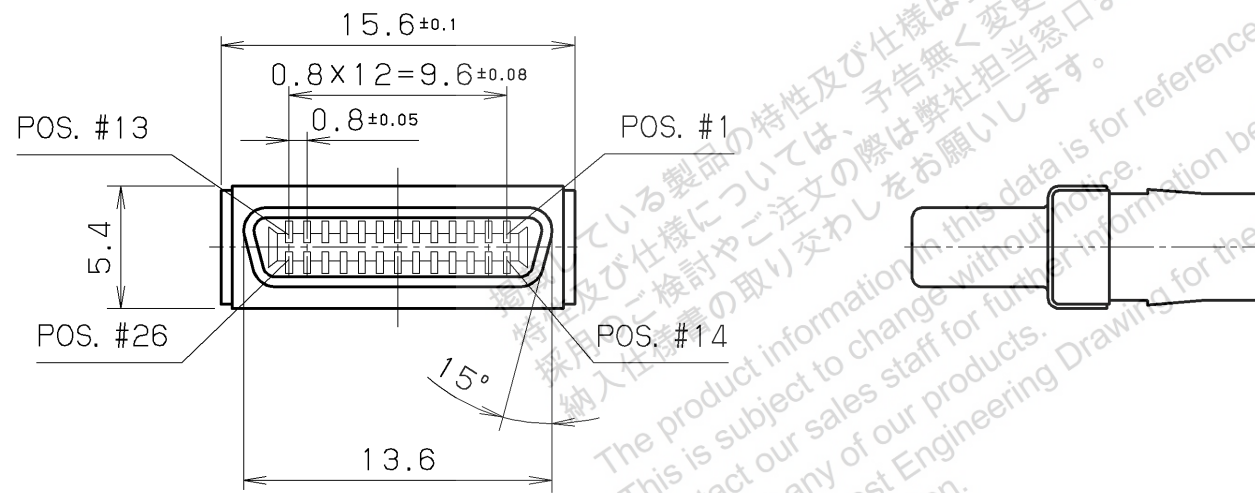
掲載している製品の特性及び仕様は参考値です。特性及び仕様については、予告無く変更する場合があります。採用のご検討やご注文の際は弊社担当窓口までお問い合わせをお願いします。納品仕様書の取り交わしをお願いします。  
 The product information in this drawing is for reference only. This is subject to change without notice. Contact our sales staff for further information before considering or ordering any of our products. Please request Engineering design information.

HTK

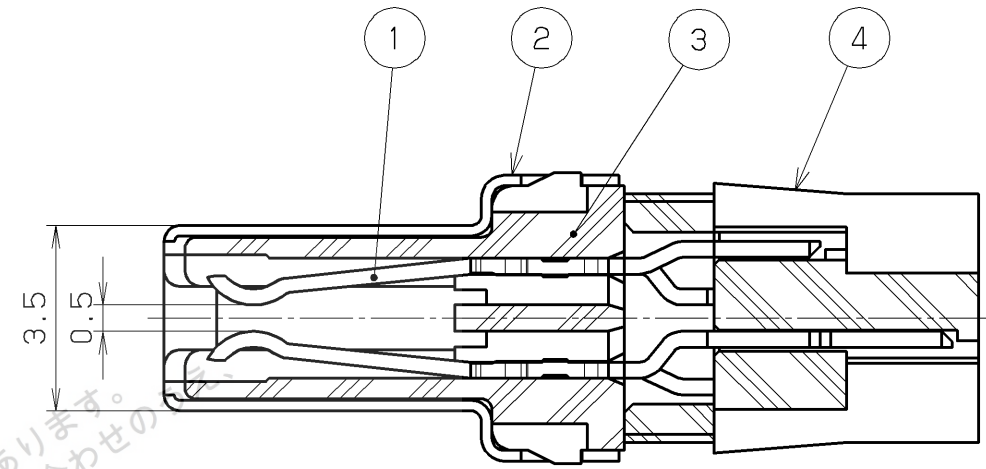
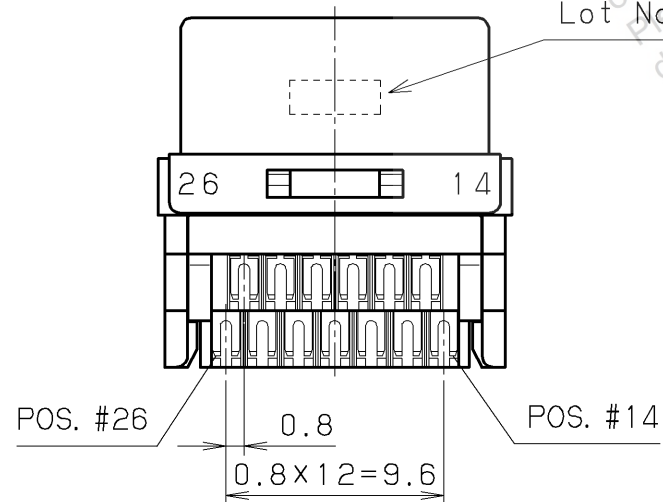
					4	Spacer	PA9T (GF)	1		UL94V-0 Black
					3	Insulator	PA9T (GF)	1		UL94V-0 Black
					2	Shell	Steel	1	Nickel plating	
					1	Contact	Phosphor bronze	14	Note. #1	
LTR.	DATE	BY	REV.	DESCRIPT	No.	PART NAME	MATERIAL	QTY	FINISH	NOTE
	DATE Mar. 12, 2009		SCALE 5/1		UNIT mm (INCH)	3RD. A. P	HONDA TSUSHIN KOGYO CO., LTD.			
	APP. DATE&REV.									
	DR. H. AIZAWA	DE. H. AIZAWA	CHK. M. KASHIHARA	CHK. —	APP. K. KASAI	NAME	0.8mm spacing shielded female cable connector (RoHS)			REV.
						PART NO.	HDR-E14FSG1+			



△ Type name of symbol



△ Lot No. (Date)



CONTACT DETAIL

1. CONTACT PLATING  
MATING AREA: 0.76 MICRO METERS MINIMUM GOLD PLATING  
TERMINATION AREA: 0.05 MICRO METERS MINIMUM GOLD PLATING  
UNDERPLATING: NICKEL PLATING
2. APPLICABLE HOOD  
HDR-26LPH ( )
3. MATING CONNECTOR  
HDR-EA26LMY ( ) G1+  
HDR-E26M ( ) G1+
4. SPECIFICATION  
RATED CURRENT 0.5A  
RATED VOLTAGE 125V AC (r. m. s.)

△					4	SPACER	PA9T (GF)	1	—	UL94V-0 BLACK	
△					3	INSULATOR	PA9T (GF)	1	—	UL94V-0 BLACK	
△					2	SHELL	STEEL	1	NICKEL PLATING	—	
△	MAR. 2022	M. M	Add type name and Lot No.		1	FEMALE CONTACT	PHOSPHOR BRONZE	26	NOTE#1	—	
LTR.	DATE	BY	REV.	DESCRIPT	No.	PART NAME	MATERIAL	QTY	FINISH	NOTE	
DATE		SCALE		UNIT		3RD. A. P					
Feb. 22, 2007		3 / 1		mm (INCH)		HTK HONDA TSUSHIN KOGYO CO., LTD.					
APP. DATE&REV.		DR.		DE.		CHK.		CHK.		APP.	
		M. MATSUE		M. MATSUE		—		S. YOSHIDA		K. OOAKU	
NAME		0.8mm SPACING SHIELDED FEMALE CABLE CONNECTOR (RoHS)									
PART NO.		HDR-E26FSG1+								REV.	