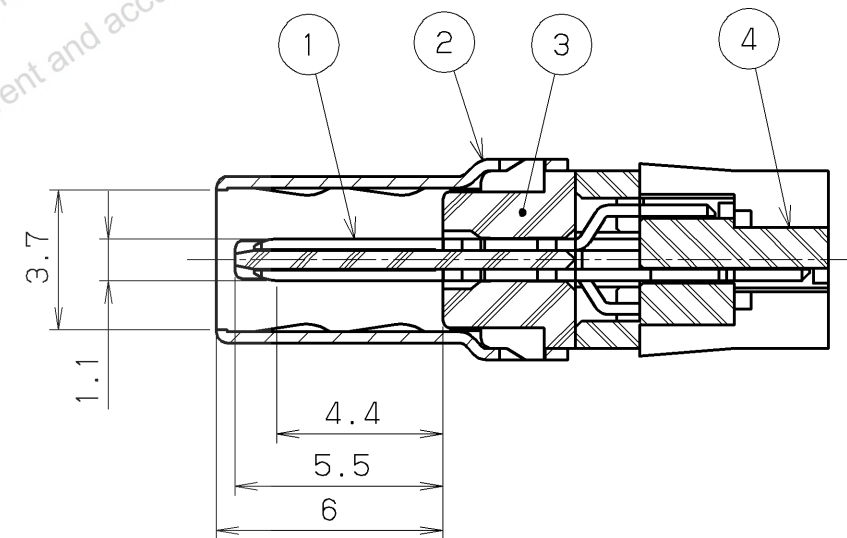


Note 1. Contact plating
 Mating area: 0.76 micro meters minimum gold plating
 Termination area: 0.05 micro meters gold plating
 Underplating: Nickel plating

2. Applicable cable cover
 P/N: HDR-E14LPH
 HDR-E14LPH () +

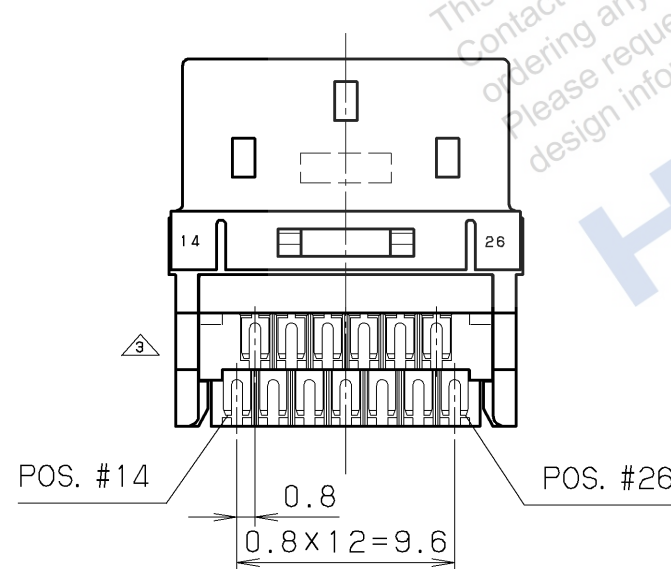
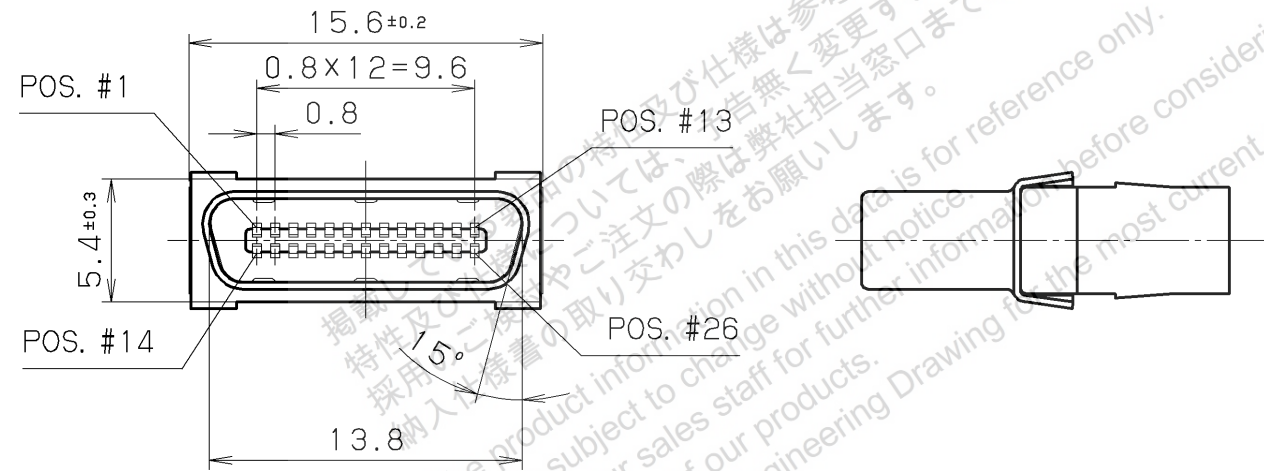
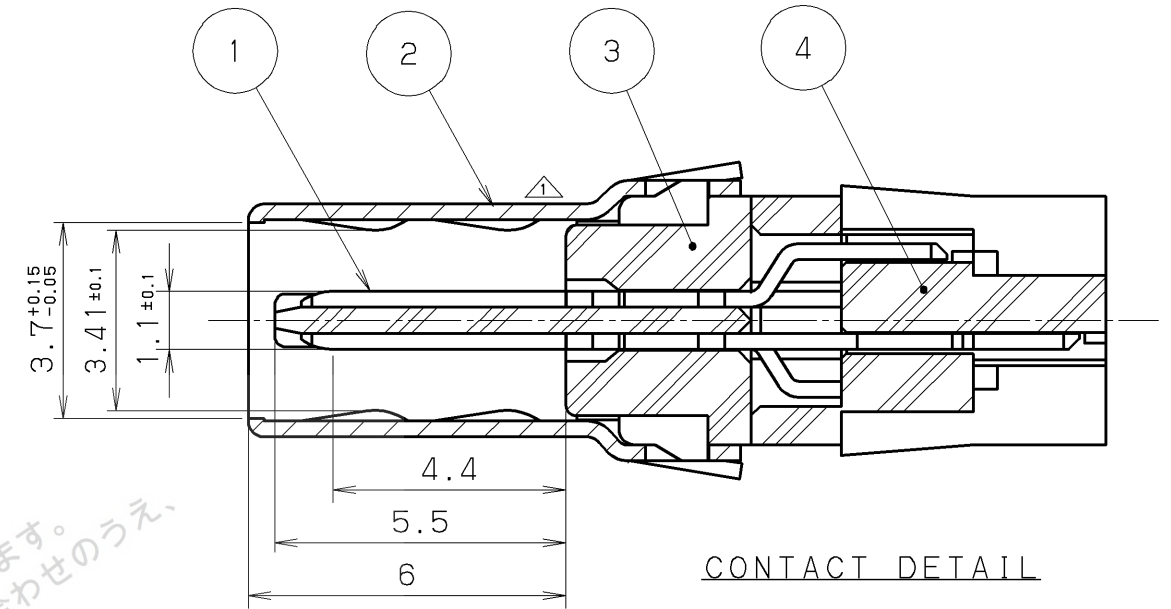
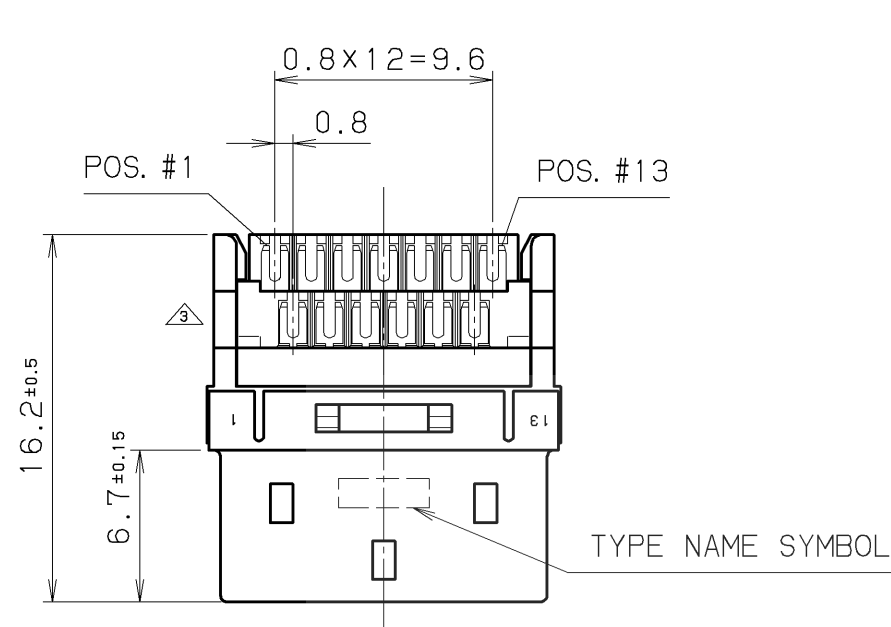
3. Mating connector
 P/N: HDR-EA14LFY () - () +
 HDR-EC14LFDT () - () +
 HDR-EC14FDT () - () +
 HDR-E14FS () +

掲載している製品の特性及び仕様は参考値です。
 特性及び仕様については、予告無く変更する場合がございます。
 採用のご検討やご注文の際は弊社担当窓口までお問い合わせをお願いいたします。
 The product information in this data is for reference only.
 This is subject to change without notice.
 Contact our sales staff for further information before considering or
 ordering any of our products.
 Please request Engineering Drawing for the most current and accurate
 design information.



Contact detail

					4	Spacer	PA9T (GF)	1		UL94V-0 Black
					3	Insulator	PBT (GF)	1		UL94V-0 Black
					2	Shell	Steel	1	Nickel plating	
					1	Contact	Phosphor bronze	14	Note. #1	
LTR.	DATE	BY	REV.	DESCRIPT	No.	PART NAME	MATERIAL	QTY	FINISH	NOTE
DATE		SCALE		UNIT		3RD. A. P		HONDA TSUSHIN KOGYO CO., LTD.		
Mar. 12, 2009		5/1		mm (INCH)						
APP. DATE&REV.										
DR.	DE.	CHK.	CHK.	APP.	NAME		0.8mm spacing shielded male cable connector (RoHS)			
H. AIZAWA	H. AIZAWA	M. KASHIHARA	—	K. KASAI	PART NO.		HDR-E14MSG1+		REV.	



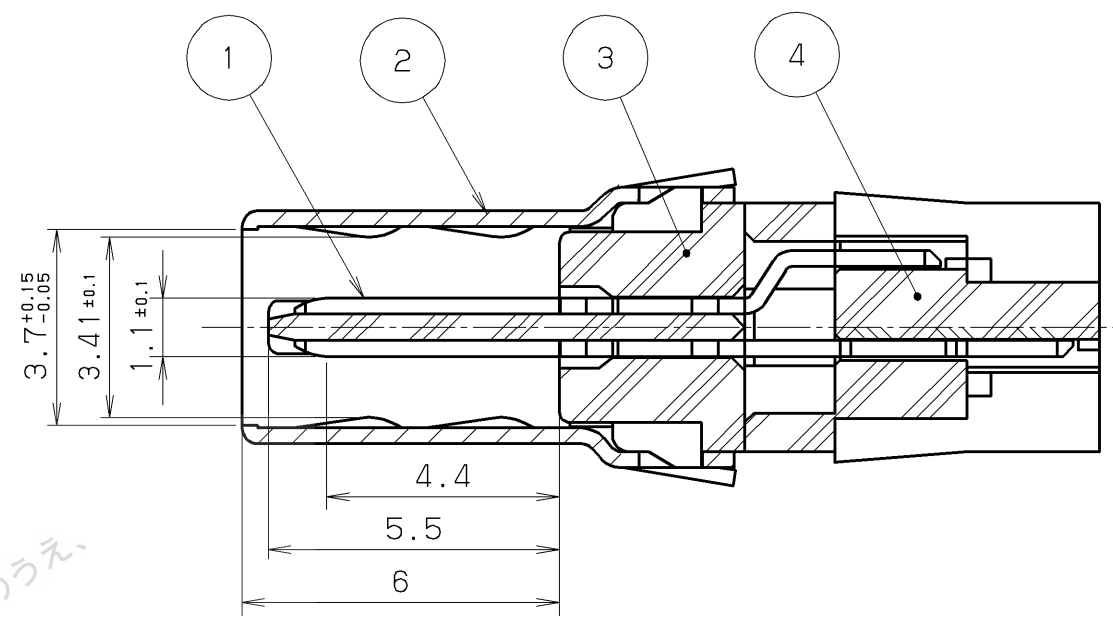
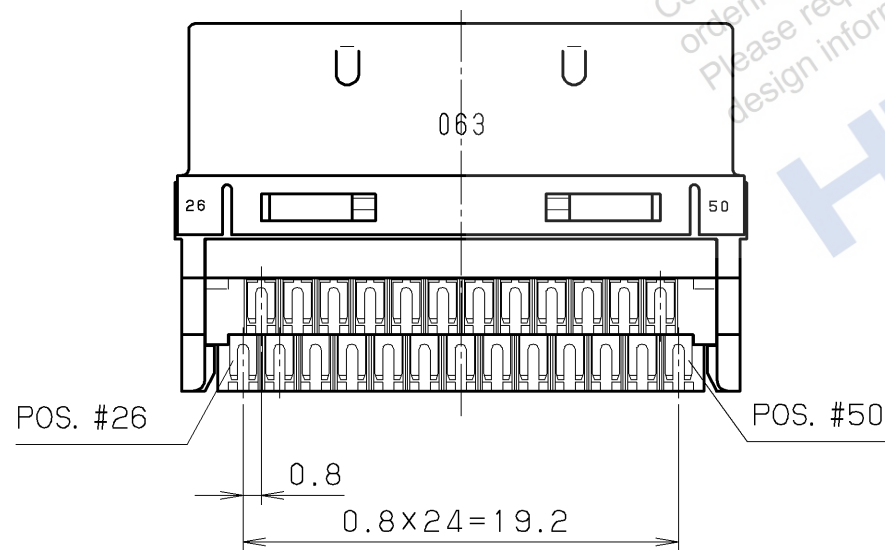
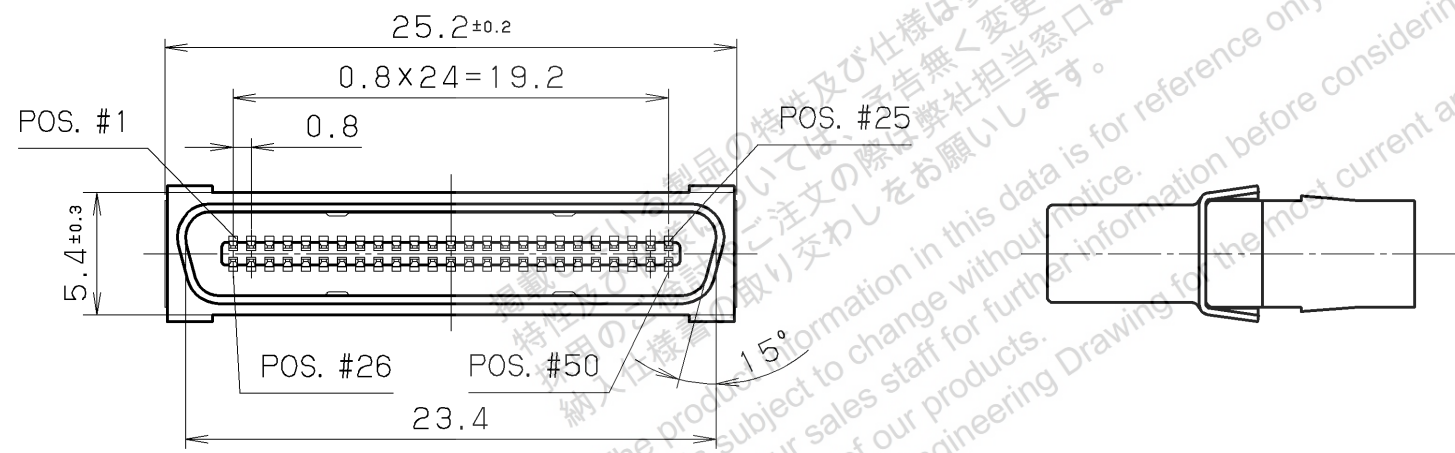
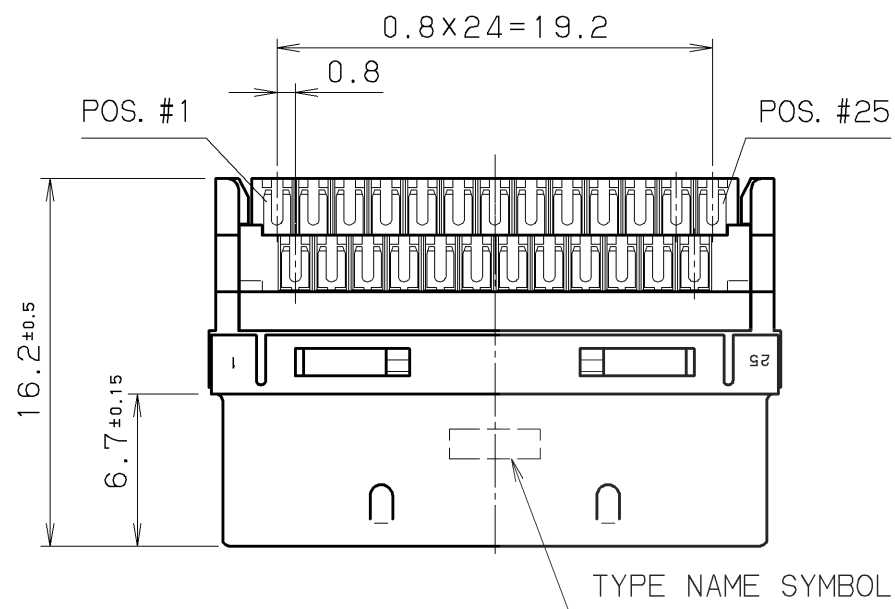
The product information in this data is for reference only.
 This is subject to change without notice.
 Please request Engineering Drawing for the most current and accurate design information.
 掲載されている情報は、お客様の仕様は参考値です。
 予告なく変更する場合があります。
 採用の際は弊社担当窓口までお問い合わせのうえ、
 納入仕様書の取り交わしをお願いします。

- 1. CONTACT PLATING
 MATING AREA: 0.76 MICRO METERS MINIMUM GOLD PLATING
 TERMINATION AREA: 0.05 MICRO METERS MINIMUM GOLD PLATING
 UNDERPLATING: NICKEL PLATING
- 2. APPLICABLE HOOD
 HDR-26LPH ()

- 3. MATING CONNECTOR
 HDR-EA26LFY () G1+
 HDR-E26LFY () G1+
 HDR-EC26LFDT () +
- 4. SPECIFICATION
 RATED CURRENT 0.5A
 RATED VOLTAGE 125V AC (r. m. s.)

LTR.	DATE	BY	REV.	DESCRIPT	No.	PART NAME	MATERIAL	QTY	FINISH	NOTE
△	Apr. 23 2007	Y. K		SHAPE (SPACER)	4	SPACER	PA9T (GF)	1	—	UL94V-0 BLACK
△	MAR. 17 2006	M. M		REVISE	3	INSULATOR	PBT (GF)△	1	—	UL94V-0 BLACK
△	JUN. 19 2005	M. M		CHANGE MATERIAL AND FORM	2	SHELL	STEEL	1	NICKEL PLATING	—
△					1	MALE CONTACT	PHOSPHOR BRONZE	26	NOTE#1	—

DATE		SCALE		UNIT		3RD. A. P		HONDA TSUSHIN KOGYO CO., LTD.			
Oct. 20. 2004		3 / 1		mm (INCH)							
APP. DATE & REV.											
DR.	DE.	CHK.	CHK.	APP.	NAME		0.8mm SPACING SHIELDED MALE CABLE CONNECTOR				
Y. KATO	M. MIYAZAKI	—	C. NUNOKAWA	K. KASHIO	PART NO.		HDR-E26MSG1+△				
										REV.	
										3C	



CONTACT DETAIL

1. CONTACT PLATING
MATING AREA: 0.76 MICRO METERS MINIMUM GOLD PLATING
TERMINATION AREA: 0.05 MICRO METERS MINIMUM GOLD PLATING
UNDERPLATING: NICKEL PLATING
2. APPLICABLE HOOD
HDR-E50LPH
3. MATING CONNECTOR
HDR-EC50LFDT () () +
4. SPECIFICATION
RATED CURRENT 0.5A
RATED VOLTAGE 125V AC (r. m. s.)

The product information in this data is for reference only.
This is subject to change without notice.
Contact our sales staff for further information before considering or ordering any of our products.
Please request Engineering Drawing for the most current and accurate design information.



					4	SPACER	PA9T (GF)	1	—	UL94V-0 BLACK	
					3	INSULATOR	PBT (GF)	1	—	UL94V-0 BLACK	
					2	SHELL	STEEL	1	NICKEL PLATING	—	
					1	MALE CONTACT	PHOSPHOR BRONZE	50	NOTE#1	—	
LTR.	DATE	BY	REV.	DESCRIPT	No.	PART NAME	MATERIAL	QTY	FINISH	NOTE	
	DATE Mar. 13, 2006		SCALE 3 / 1	UNIT mm (INCH)	3RD. A. P	HONDA TSUSHIN KOGYO CO., LTD.					
	APP. DATE&REV.					DR.	DE.	CHK.	CHK.	APP.	NAME 0.8mm SPACING SHIELDED MALE CABLE CONNECTOR
						Y. KATO	Y. KATO	—	—	H. EBIHARA	PART NO. HDR-E50MSG1+
											REV.