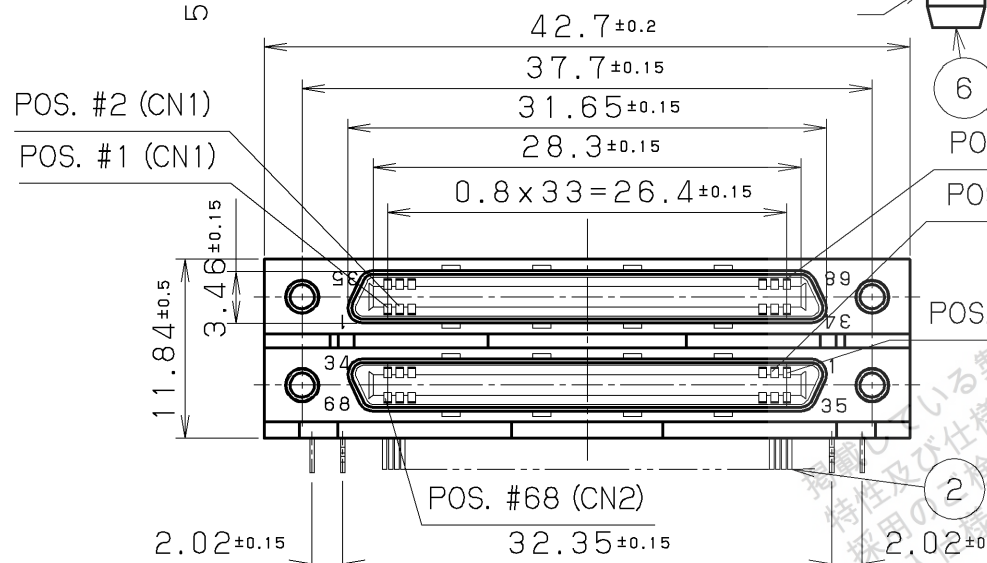
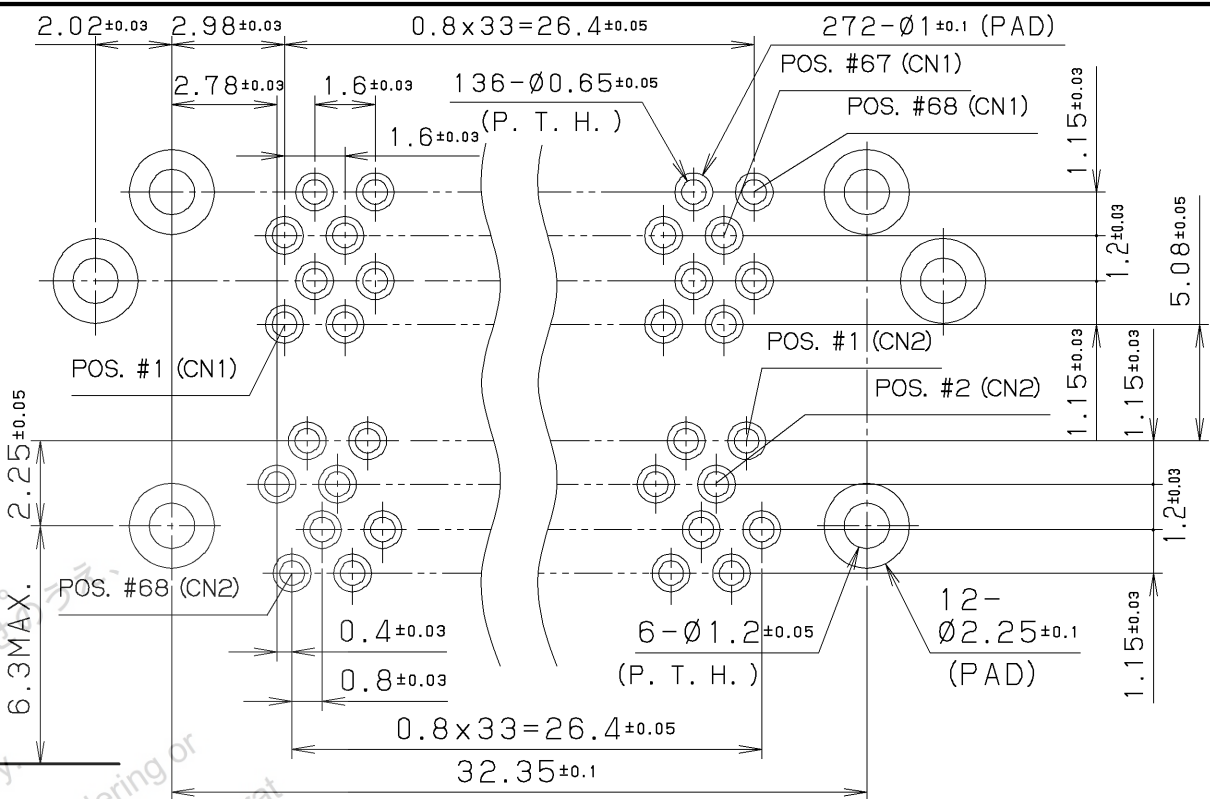
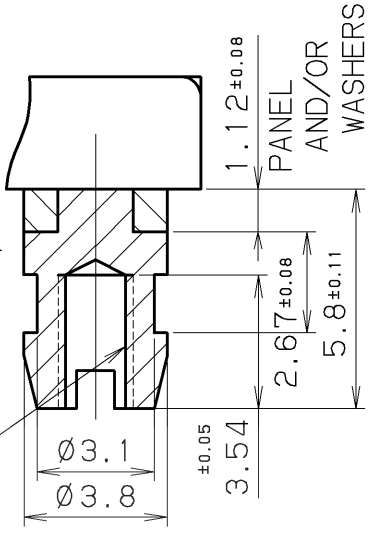
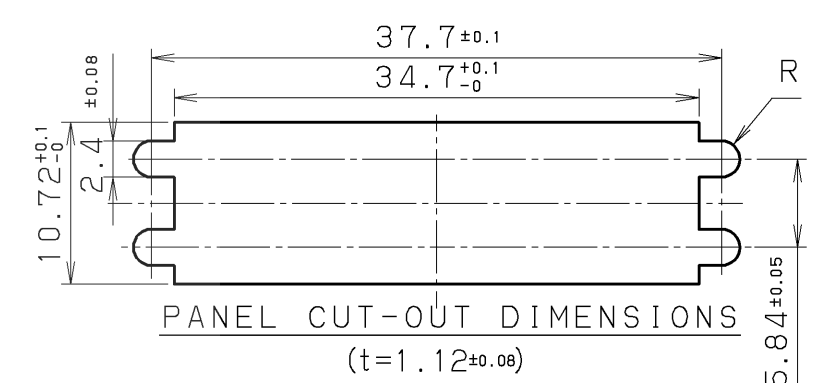
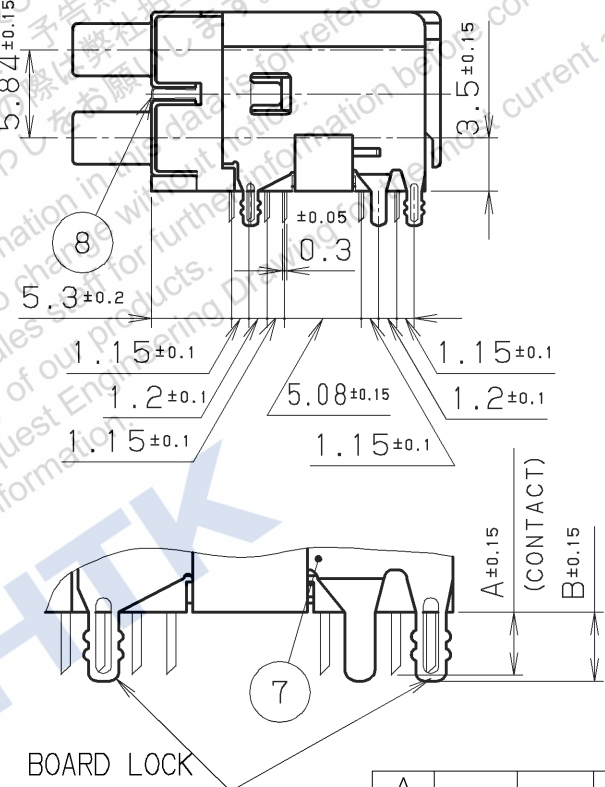


DATE CODE
 JAPAN
 HONDA



NOTE #2.
 FOUR LOCK SCREWS (ITEM#6)
 ARE SUPPLIED WITH CONNECTOR.



NOTE #1.
 CONTACT PLATING

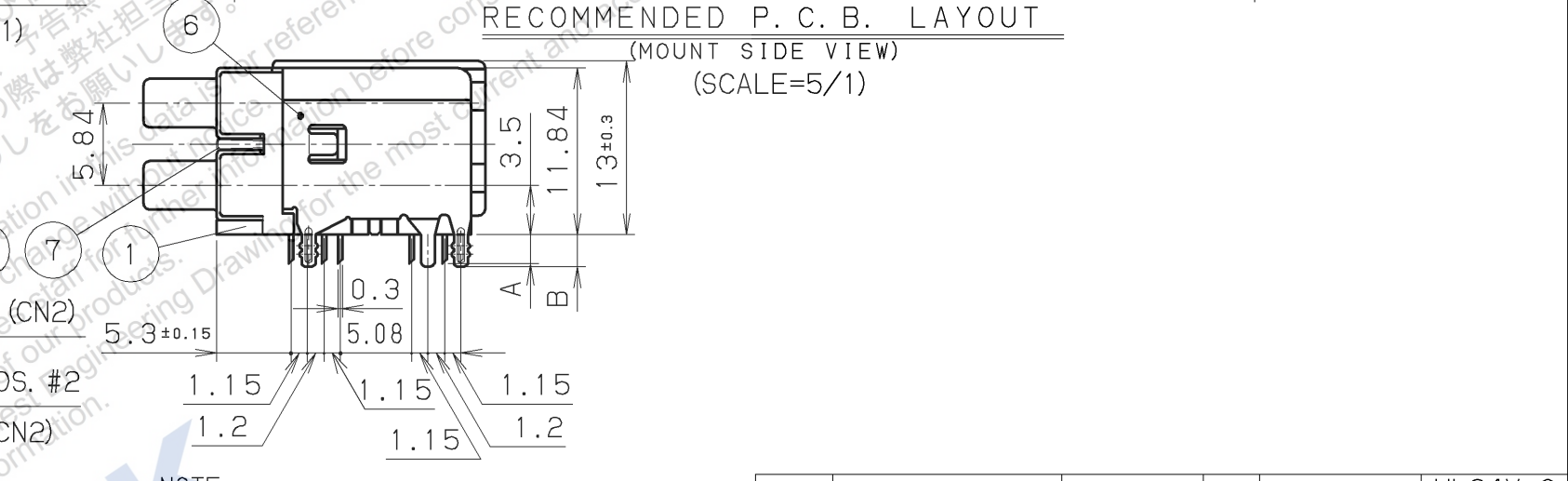
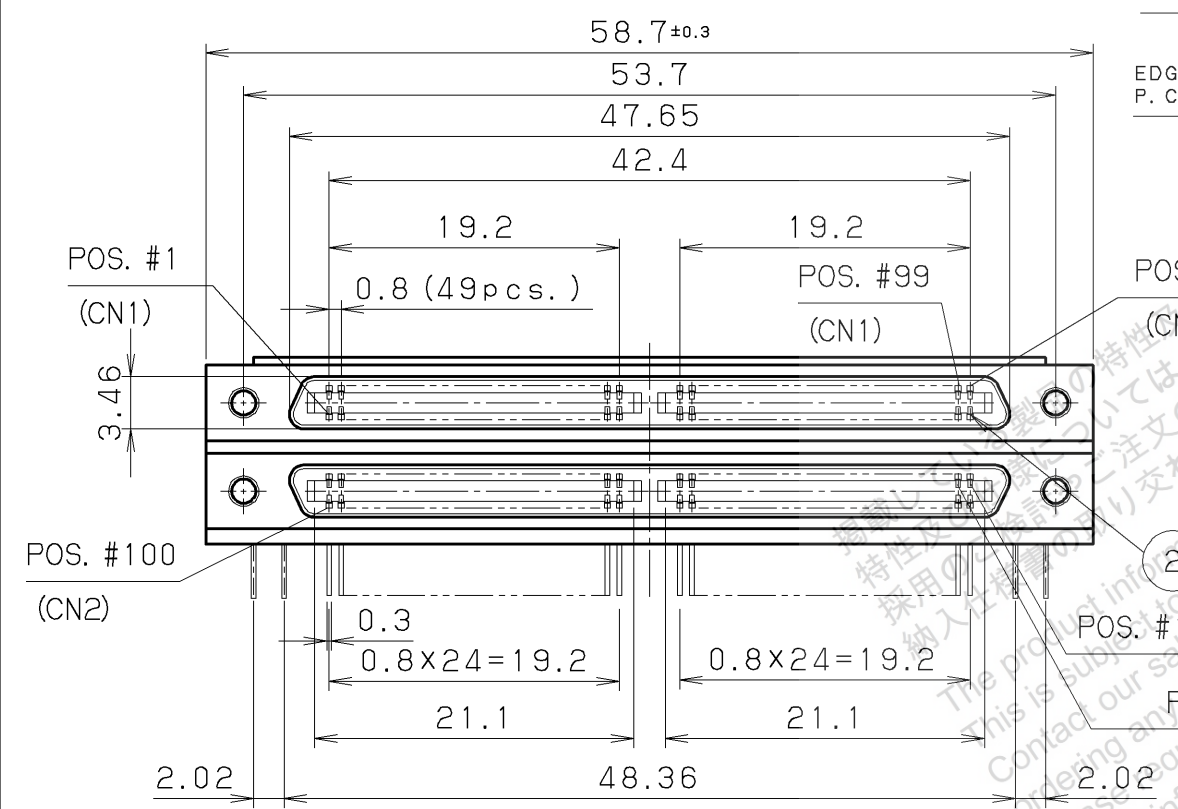
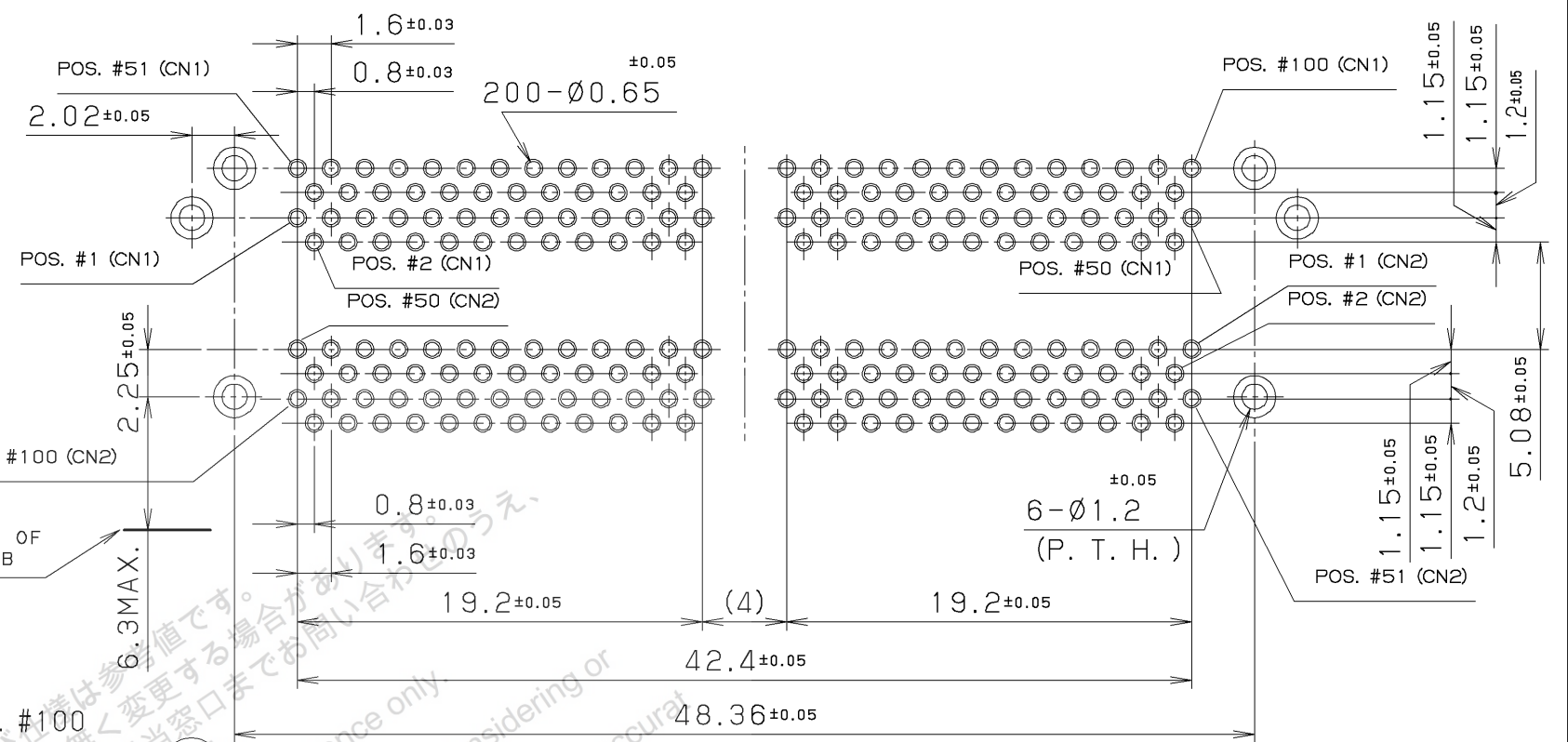
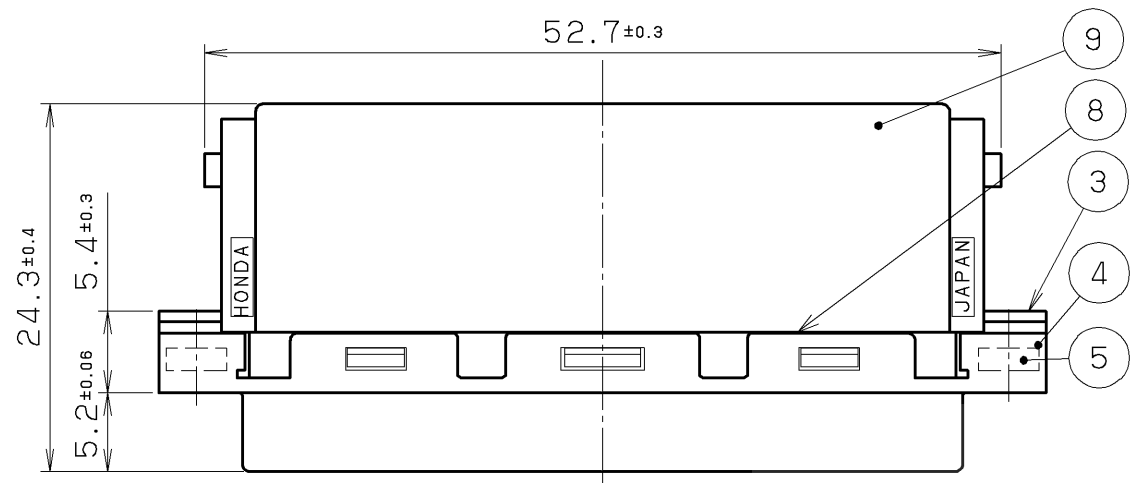
CONTACT AREA: GOLD 0.1 μm MIN.
 OVER PALLADIUM/NICKEL 0.5 μm

TERMINAL AREA: GOLD 0.05 μm
 ALL OVER NICKEL UNDERPLATED.

9	PROTECTIVE COVER	PPS	1		UL94V-0 BLACK
8	SPACER	STEEL	1		
7	BOARD LOCK	PHOSPHOR BRONZE	2	NICKEL PLATING	
6	LOCK SCREW	STEEL	4	NICKEL PLATING	M2x0.4 SEE NOTE #2
5	SQR. NUT	BRASS	4	NICKEL PLATING	M2x0.4
4	SHELL	STEEL	2	NICKEL PLATING	
3	INSULATOR	PPS	1		UL94V-0 BLACK
2	CONTACT	PHOSPHOR BRONZE	136	SEE NOTE #1	
1	BRACKET	PPS	1		UL94V-0

△										
△										
△	Mar. 16 2021	S. M	Add DATE CODE							
LTR.	DATE	BY	REV.	DESCRIPT	No.	PART NAME	MATERIAL	QTY	FINISH	NOTE
	DATE		SCALE		UNIT	3RD. A. P	HTK HONDA TSUSHIN KOGYO CO., LTD.			
	Dec. 16, 2004		2 / 1		mm (INCH)		NAME 0.8mm SPACING 68POS. R/A DUAL STACKING FEMALE CONNECTOR			
	APP. DATE & REV.						PART NO. HDRA-E68W () LFDT1EC-SL+ REV. 1A			
	DR.	DE.	CHK.	CHK.	APP.					
	S. MURAKAMI	S. MURAKAMI	S. YOSHIDA		K. OOAKU					

HDRA-E68W5LFDT1EC-SL+	2.72	3.6	BLACK
HDRA-E68W2LFDT1EC-SL+	3.4	3.6	BROWN
HDRA-E68W1LFDT1EC-SL+	2.08	2.28	BLACK
PART No.	A	B	COLOR OF BRACKET



RECOMMENDED P. C. B. LAYOUT
(MOUNT SIDE VIEW)
(SCALE=5/1)

NOTE
1. CONTACT PLATING
CONTACT AREA: Pd/Ni 0.5µm
+GOLD 0.1µm MIN.
TERMINAL AREA: GOLD 0.05µm
ALL OVER NICKEL UNDERPLATED

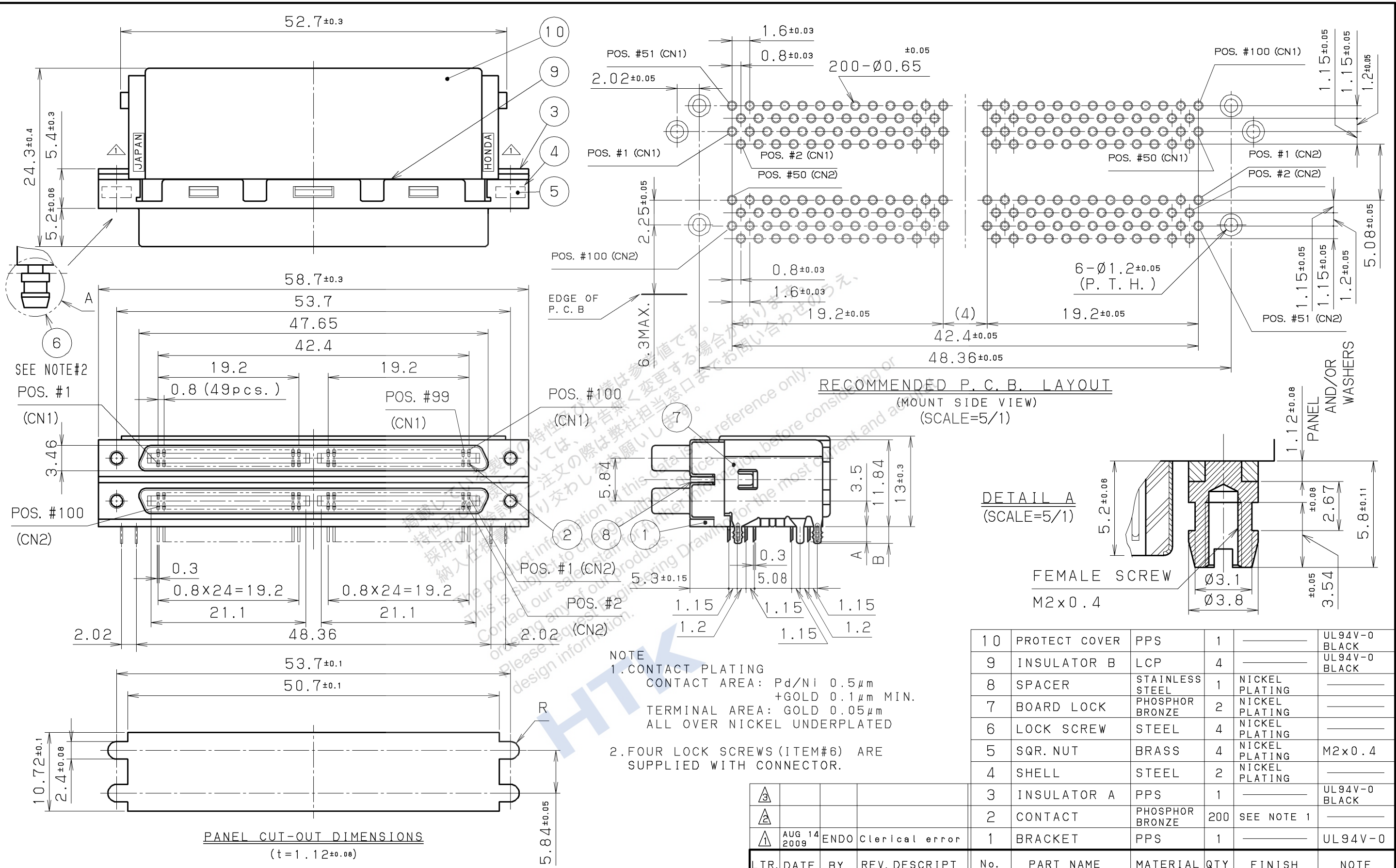
PANEL CUT-OUT DIMENSIONS
(t=1.12±0.08)

9	PROTECT COVER	PPS	1		UL94V-0 BLACK
8	INSULATOR B	LCP	4		UL94V-0 BLACK
7	SPACER	STAINLESS STEEL	1	NICKEL PLATING	
6	BOARD LOCK	PHOSPHOR BRONZE	2	NICKEL PLATING	
5	SQR. NUT	BRASS	4	NICKEL PLATING	M2x0.4
4	SHELL	STEEL	2	NICKEL PLATING	
3	INSULATOR A	PPS	1		UL94V-0 BLACK
2	CONTACT	PHOSPHOR BRONZE	200	SEE NOTE 1	
1	BRACKET	PPS	1		UL94V-0

LTR.	DATE	BY	REV.	DESCRIP	No.	PART NAME	MATERIAL	QTY	FINISH	NOTE

DATE Mar. 15. 2004		SCALE 2/1		UNIT mm (INCH)		3RD. A. P		HONDA TSUSHIN KOGYO CO., LTD.		
APP. DATE&REV.		DR.	DE.	CHK.	CHK.	APP.	NAME		0.8mm SPACING 100 POS. R/A DUAL STACKING FEMALE CONNECTOR	
		Y. KATO	Y. KATO		C. NUNOKAWA	H. EBIHARA	PART NO.		HDRA-E100W () LFDT1EC+	
		P. C. B THICKNESS		COLOR OF BRACKET						REV.

HDRA-E100W2LFDT1EC+	3.4	3.6	2.4	BROWN
HDRA-E100W1LFDT1EC+	2.08	2.28	1.6	BLACK
PART No.	A	B	P. C. B THICKNESS	COLOR OF BRACKET



10	PROTECT COVER	PPS	1		UL94V-0 BLACK
9	INSULATOR B	LCP	4		UL94V-0 BLACK
8	SPACER	STAINLESS STEEL	1	NICKEL PLATING	
7	BOARD LOCK	PHOSPHOR BRONZE	2	NICKEL PLATING	
6	LOCK SCREW	STEEL	4	NICKEL PLATING	
5	SQR. NUT	BRASS	4	NICKEL PLATING	M2x0.4
4	SHELL	STEEL	2	NICKEL PLATING	
3	INSULATOR A	PPS	1		UL94V-0 BLACK
2	CONTACT	PHOSPHOR BRONZE	200	SEE NOTE 1	
1	BRACKET	PPS	1		UL94V-0

LTR.	DATE	BY	REV.	DESCRIPT	No.	PART NAME	MATERIAL	QTY	FINISH	NOTE
	AUG 14 2009	ENDO		Clerical error	1	BRACKET	PPS	1		UL94V-0

DATE	SCALE	UNIT	3RD. A. P	HONDA TSUSHIN KOGYO CO., LTD.						
Mar. 15. 2004	2/1	mm (INCH)								
APP. DATE&REV.				DR.	DE.	CHK.	CHK.	APP.	NAME	
				K. ENDO	K. ENDO		K. TASHIRO	H. EBIHARA	0.8mm SPACING 100 POS. R/A DUAL STACKING FEMALE CONNECTOR	
PART No.				A	B	P. C. B THICKNESS	COLOR OF BRACKET	PART NO.		REV.
								HDBA-E100W () LFDT1EC-SL+		1A

HDBA-E100W2LFDT1EC-SL+	3.4	3.6	2.4	BROWN
HDBA-E100W1LFDT1EC-SL+	2.08	2.28	1.6	BLACK
PART No.	A	B	P. C. B THICKNESS	COLOR OF BRACKET