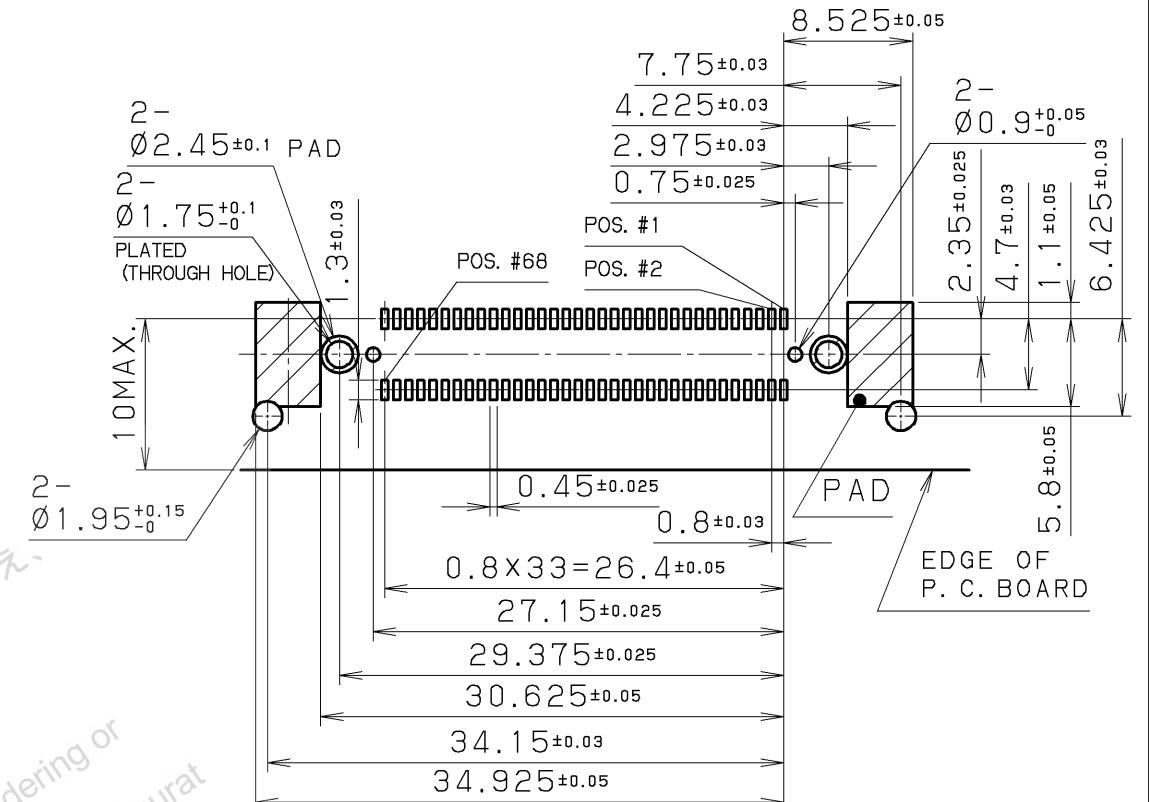
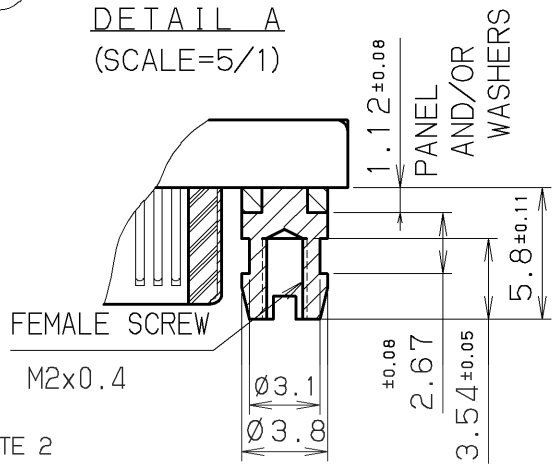


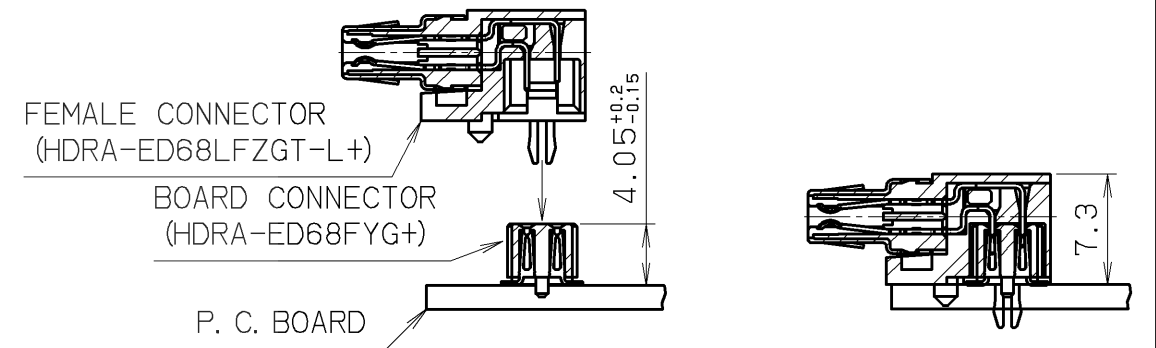
- NOTE 1. CONTACT PLATING
 CONTACT AREA: GOLD 0.76μm MIN.
 TERMINAL AREA: GOLD 0.2μm
 ALL OVER NICKEL UNDERPLATED
2. TWO LOCK SCREWS (ITEM #6) ARE SUPPLIED WITH CONNECTOR.
3. MATING BOARD CONNECTOR P/N: HDRA-ED68FYG+
4. MATING CABLE CONNECTOR P/N: HDRA-E68M () 1+



RECOMMENDED P.C.B. LAYOUT FOR HDRA-ED68LFZGT-L+ AND HDRA-ED68FYG+ CONNECTORS (CONNECTOR SIDE VIEW)

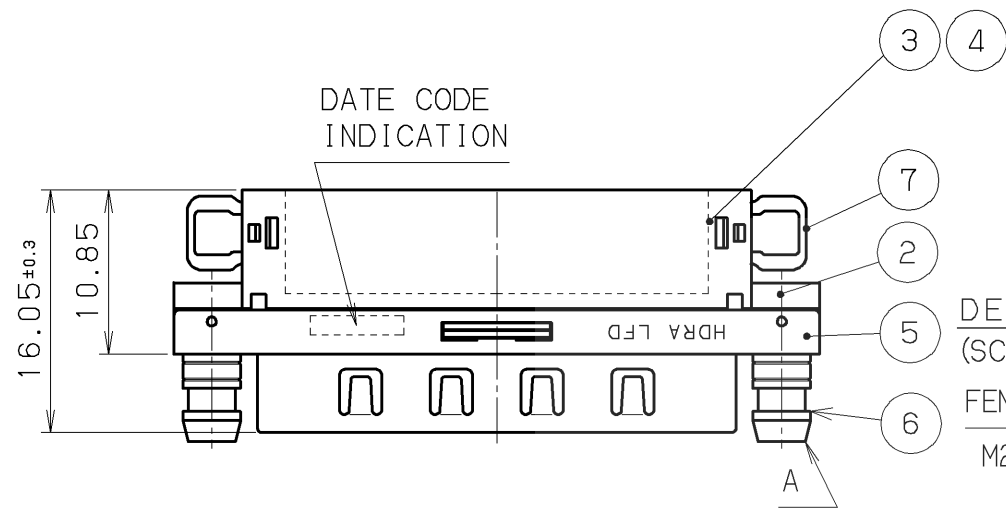
FEMALE CONNECTOR (HDRA-ED68LFZGT-L+) IS ASSEMBLED TO BOARD CONNECTOR (HDRA-ED68FYG+) SHOWN IN THE FOLLOWING SKETCH.

HOW TO ASSEMBLE.

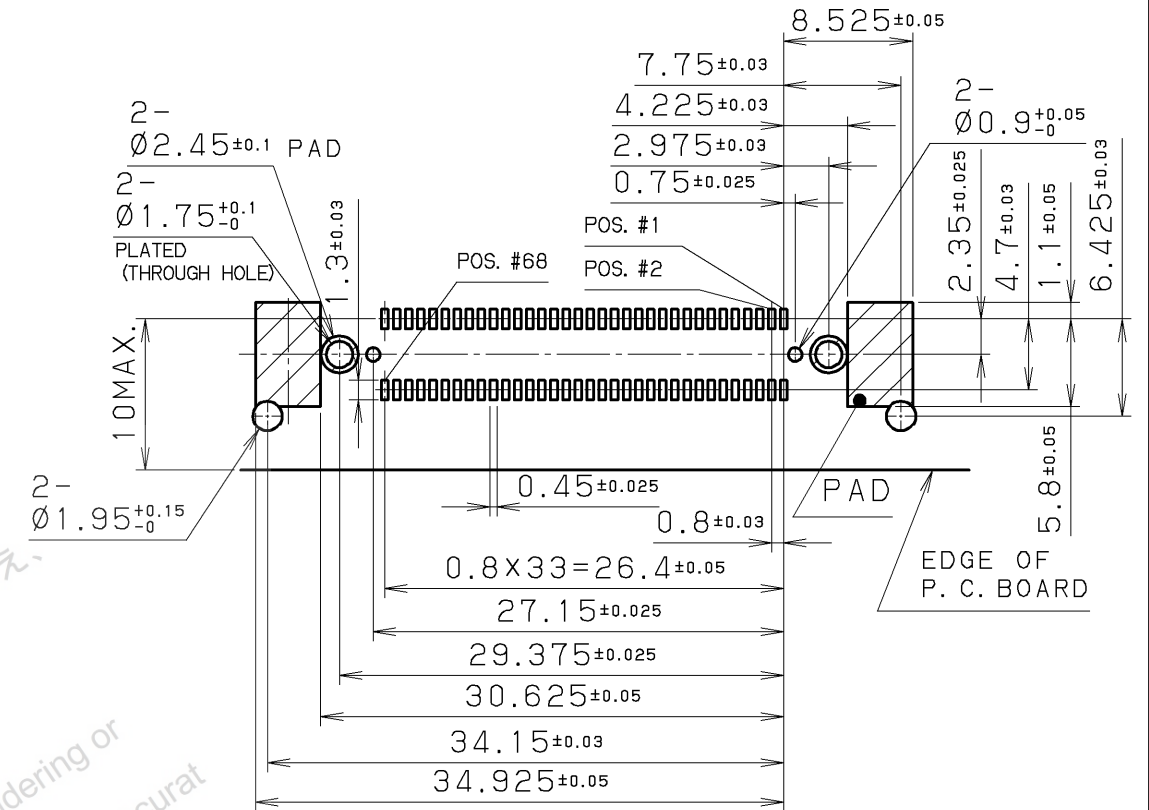
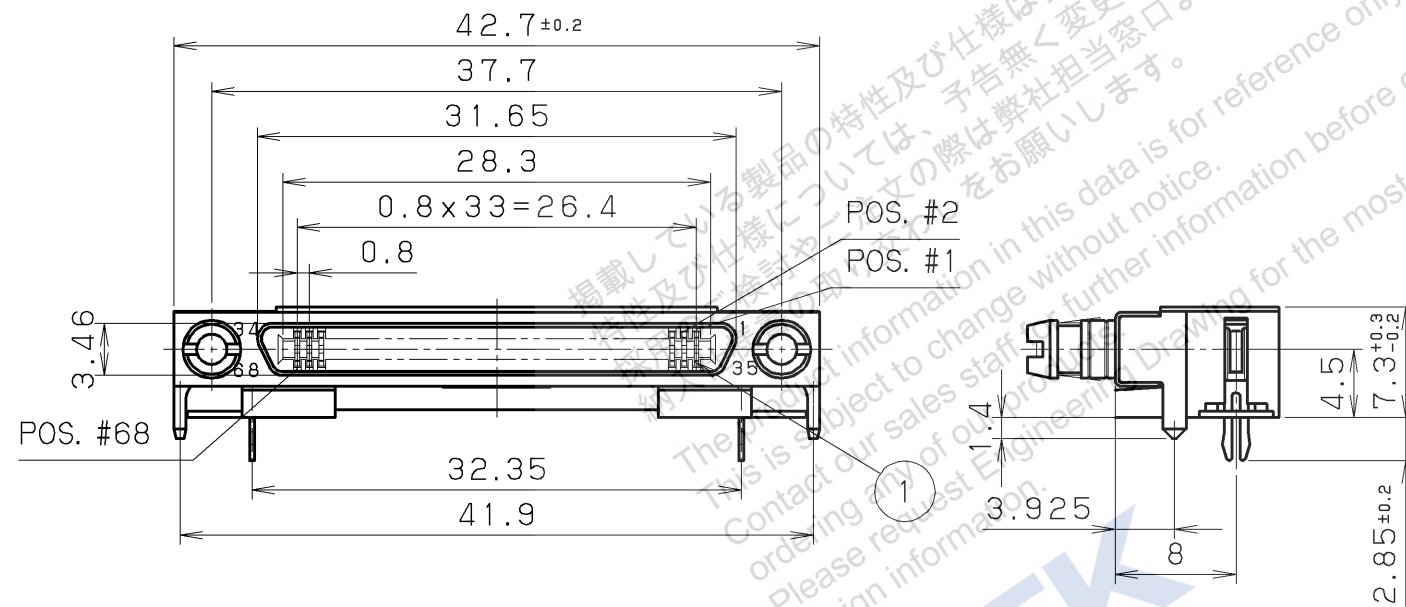


7	EARTH PLATE	PHOSPHOR BRONZE	2	TIN PLATING	
6	LOCK SCREW	STEEL	2	NICKEL PLATING	SEE NOTE.2
5	SHELL	STEEL	1	NICKEL PLATING	
4	INSULATOR C	PA9T	1		UL94V-0 BLACK
3	INSULATOR B	PA9T	1		UL94V-0 BLACK
2	INSULATOR A	PA9T	1		UL94V-0 BLACK
1	CONTACT	PHOSPHOR BRONZE	68	SEE NOTE.1	

LTR.	DATE	BY	REV.	DESCRIPT	No.	PART NAME	MATERIAL	QTY	FINISH	NOTE
	Nov. 21, 2006		2 / 1			3RD. A. P				HONDA TSUSHIN KOGYO CO., LTD.
										0.8mm SPACING 68POS. R/A SINGLE STACK FEMALE CONNECTOR
										PART NO. HDRA-ED68LFZGT-L+
										REV.



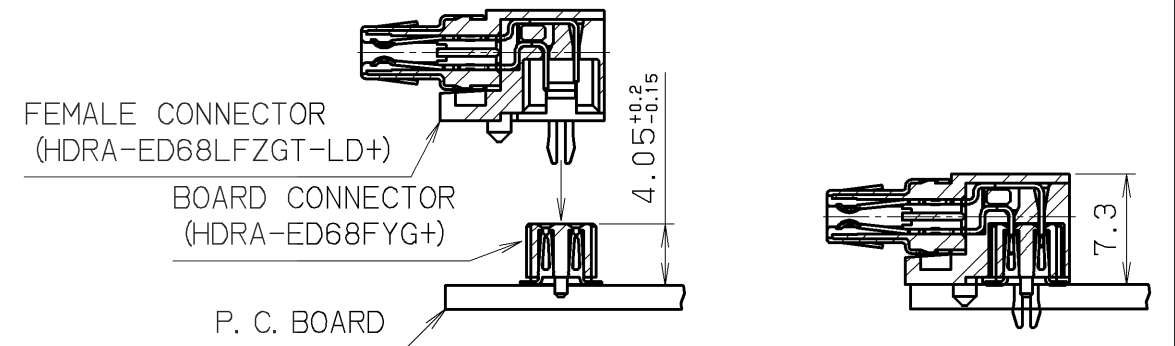
DETAIL A
(SCALE=5/1)
FEMALE SCREW
M2x0.4



RECOMMENDED P. C. B. LAYOUT FOR HDRA-ED68LFZGT-LD+ AND HDRA-ED68FYG+ CONNECTORS
(CONNECTOR SIDE VIEW)

FEMALE CONNECTOR (HDRA-ED68LFZGT-LD+) IS ASSEMBLED TO BOARD CONNECTOR (HDRA-ED68FYG+) SHOWN IN THE FOLLOWING SKETCH.

HOW TO ASSEMBLE.



NOTE 1. CONTACT PLATING
CONTACT AREA: GOLD 0.76µm MIN.
TERMINAL AREA: GOLD 0.2µm
ALL OVER NICKEL UNDERPLATED

- 2. MATING BOARD CONNECTOR P/N: HDRA-ED68FYG+
- 3. MATING CABLE CONNECTOR P/N: HDRA-E68M () 1+

7	EARTH PLATE	PHOSPHOR BRONZE	2	TIN PLATING	
6	LOCK SCREW	STEEL	2	NICKEL PLATING	
5	SHELL	STEEL	1	NICKEL PLATING	
4	INSULATOR C	PA9T	1		UL94V-0 BLACK
3	INSULATOR B	PA9T	1		UL94V-0 BLACK
2	INSULATOR A	PA9T	1		UL94V-0 BLACK
1	CONTACT	PHOSPHOR BRONZE	68	SEE NOTE.1	

LTR.	DATE	BY	REV.	DESCRIPT	No.	PART NAME	MATERIAL	QTY	FINISH	NOTE	
	DATE		SCALE		UNIT	3RD. A. P	HONDA TSUSHIN KOGYO CO., LTD.				
	Jan.31, 2011		2 / 1		mm (INCH)						
	APP. DATE & REV.										
	DR.	DE.	CHK.	CHK.	APP.	NAME	0.8mm SPACING 68POS. R/A SINGLE STACK FEMALE CONNECTOR				
	Y. KATO	Y. KATO	—	—	C. NUNOKAWA	PART NO.	HDRA-ED68LFZGT-LD+	REV.			