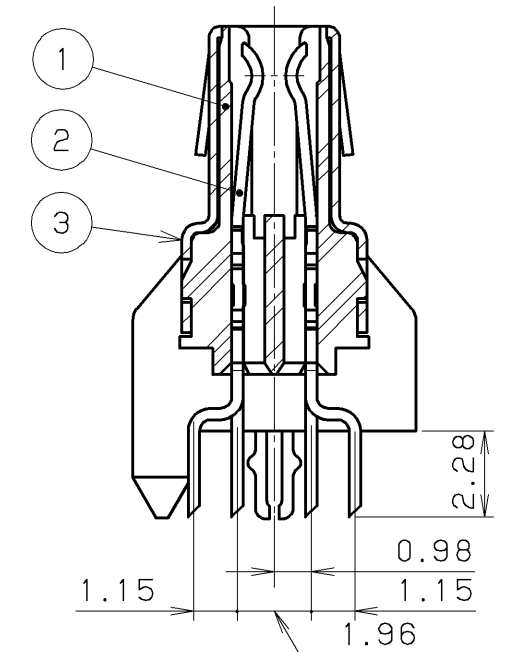
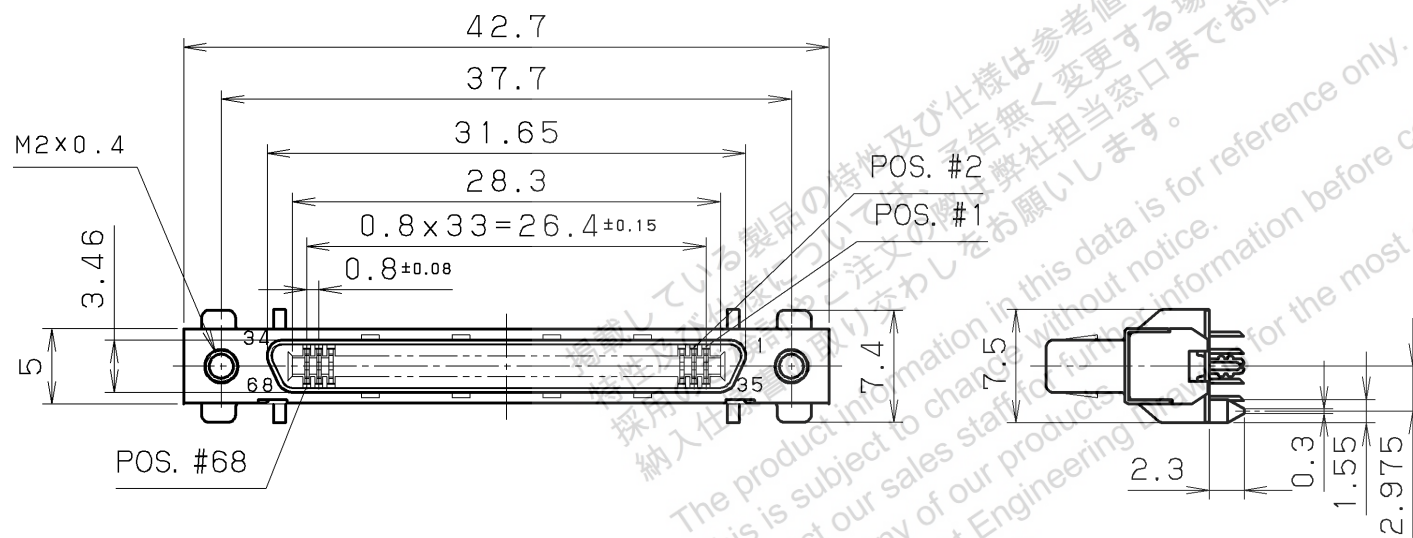
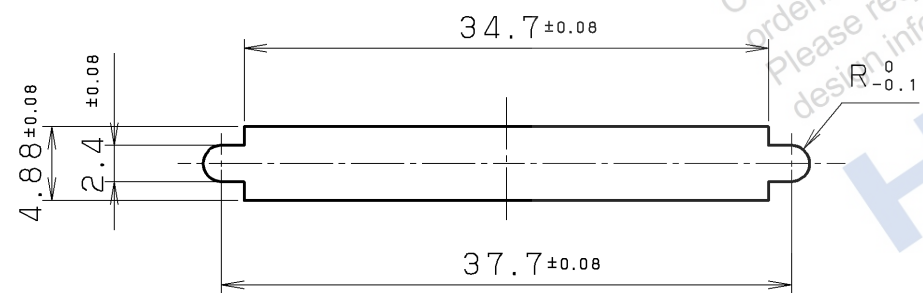


RECOMMENDED P.C.B. LAYOUT (MOUNT SIDE VIEW) Pad



CONTACT DETAIL (5/1)



RECOMMENDED PANEL CUT-OUT DIMENSIONS

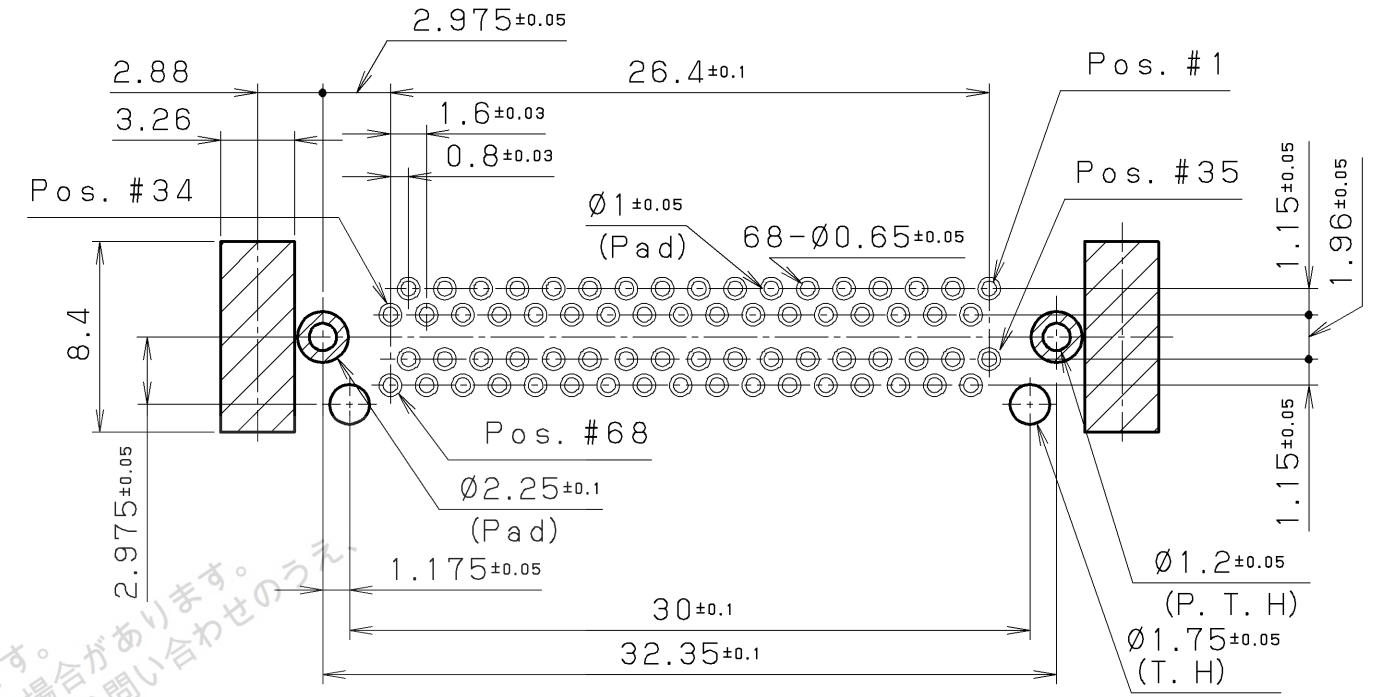
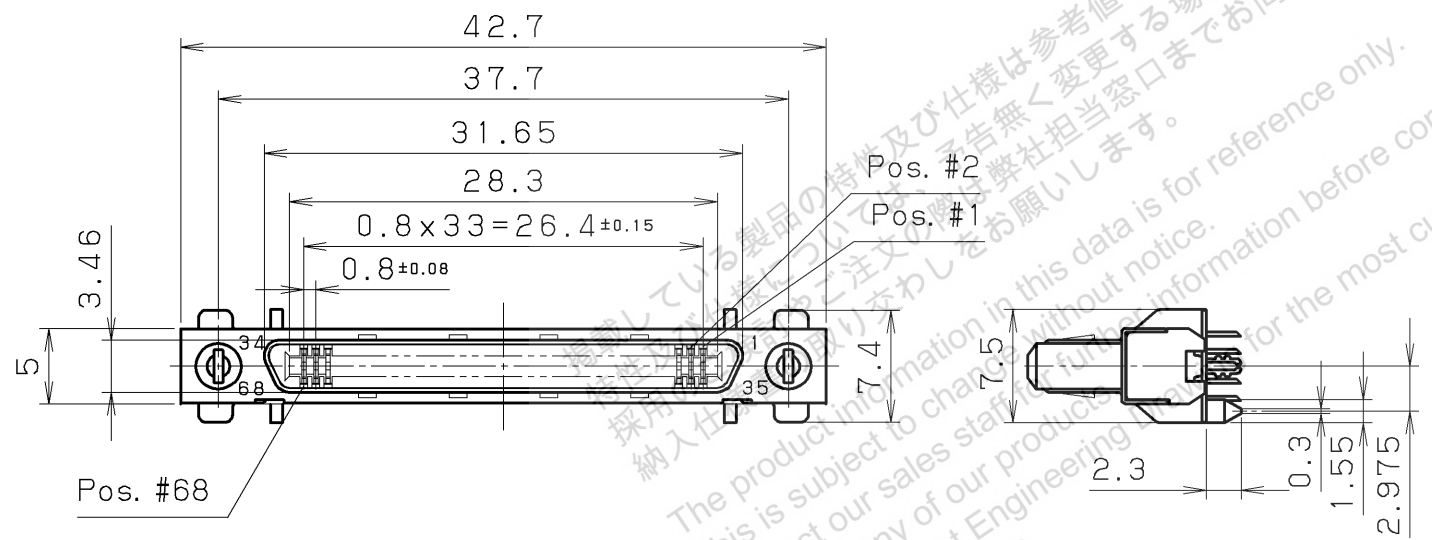
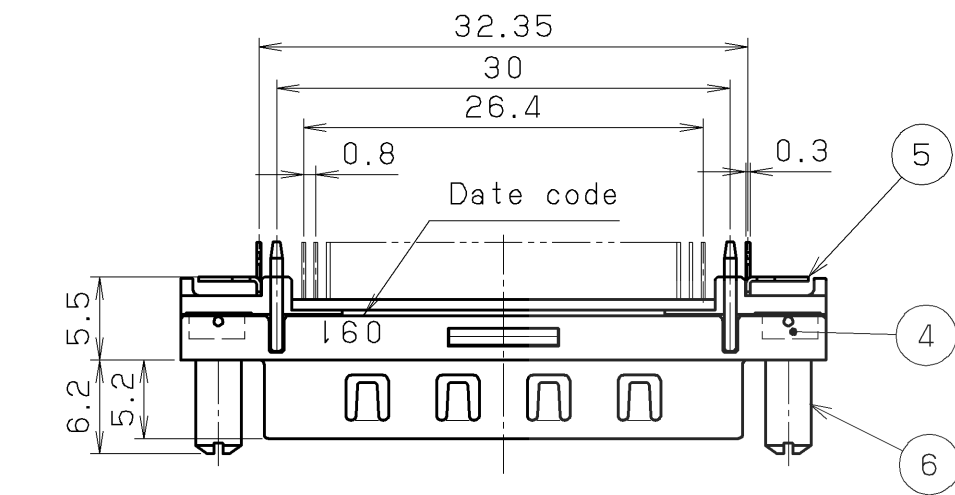
NOTE 1. CONTACT PLATING  
 CONTACT AREA: GOLD 0.76 μm MIN.  
 TERMINAL AREA: GOLD 0.05 μm  
 ALL OVER NICKEL UNDERPLATED.

HTTK

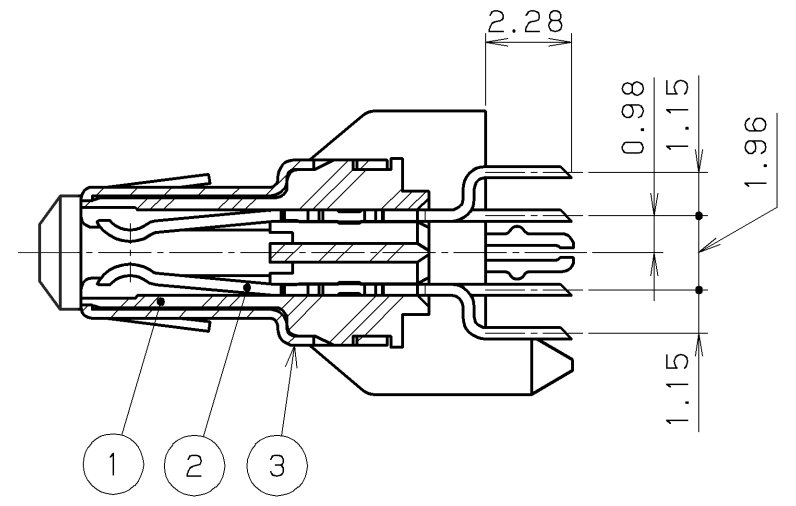
The product information in this data is for reference only. This is subject to change without notice. Please request Engineering information before considering or ordering any of our products. Contact our sales staff for further information. 製品の特性及び仕様は参考値です。予告なく変更する場合があります。納入仕様書に必ず注文の弊社担当窓口までお問い合わせをお願いします。

5	HOLD DOWN	PHOSPHOR BRONZE	2	NICKEL PLATING	
4	SQR. NUT	BRASS	2	NICKEL PLATING	M2x0.4
3	SHELL	STEEL	1	NICKEL PLATING	
2	CONTACT	PHOSPHOR BRONZE	68	SEE NOTE 1	
1	INSULATOR	PA9T	1		UL94V-0 BLACK

LTR.	DATE	BY	REV.	DESCRIPT	No.	PART NAME	MATERIAL	QTY	FINISH	NOTE		
	Sep. 21. 2012		2 / 1		3RD. A. P	HONDA TSUSHIN KOGYO CO., LTD.						
	APP. DATE & REV.					DR.	DE.	CHK.	CHK.	APP.	NAME	0.8mm SPACING 68POS. FEMALE CONNECTOR
						Y. KATO	Y. KATO	—	—	K. KASHIIO	PART NO.	HDRA-EC68FDT+
											REV.	A



Recommended P.C.B. layout (Mount side view) PAD



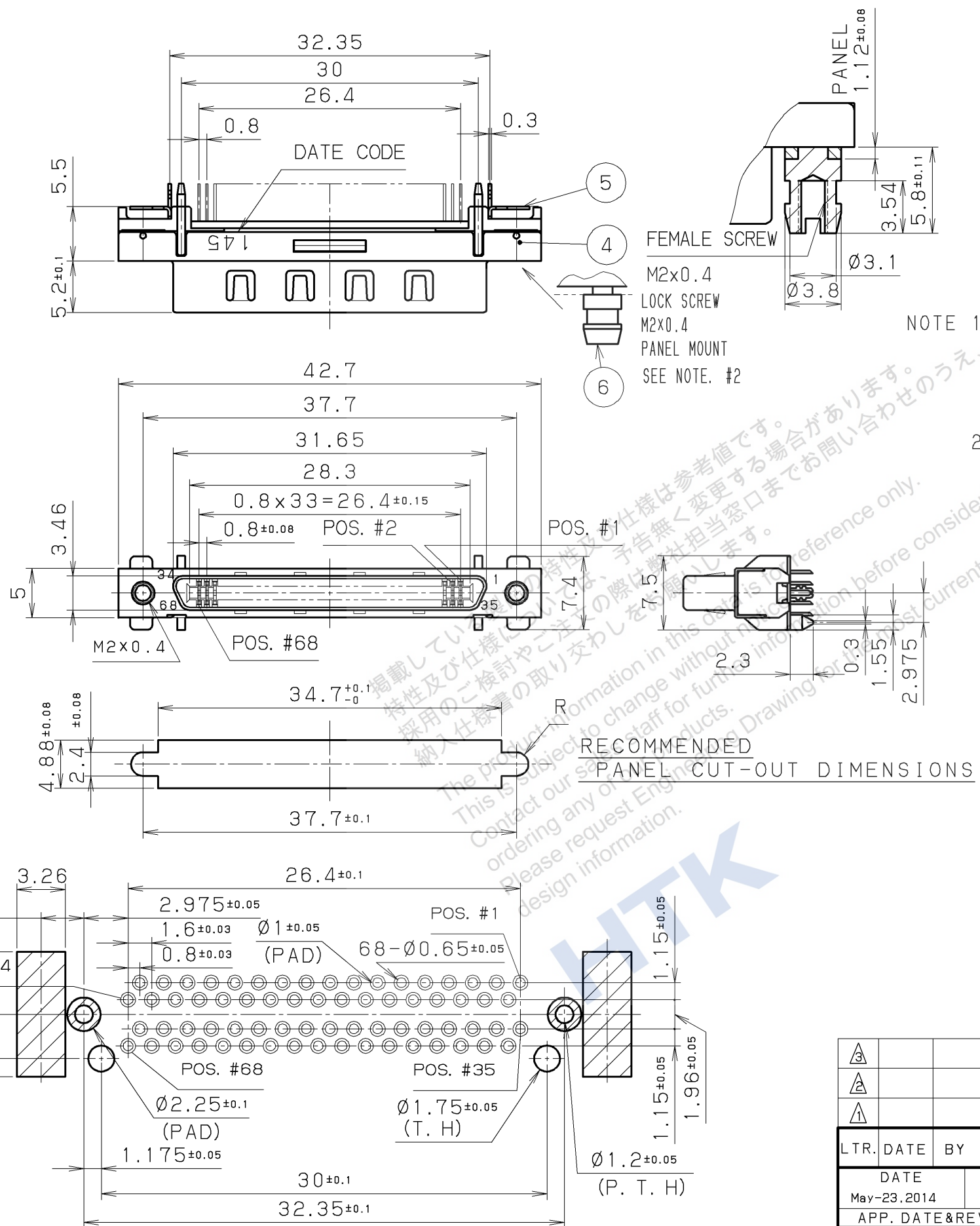
Contact detail (5/1)

Note 1. Contact plating  
 Contact area: Gold 0.76 μm min.  
 Terminal area: Gold 0.05 μm  
 All over nickel underplated.

2. Mating connector  
 P/N: HDRA-EC68LMDT-GP+

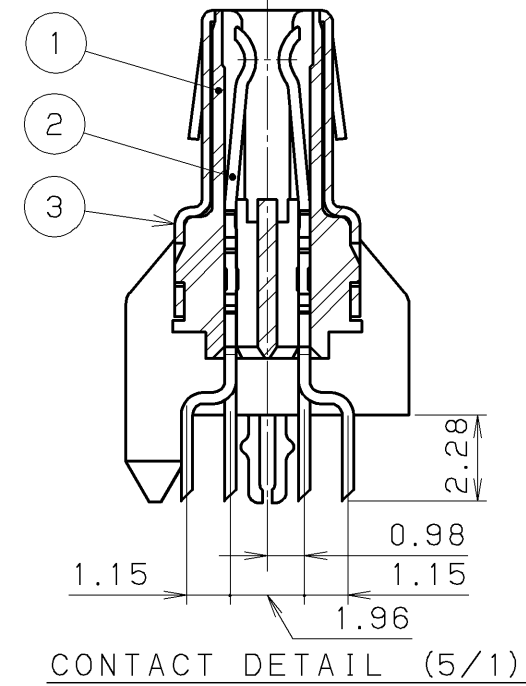
6	Guide pin	Steel	2	Nickel plating	—
5	Hold down	Phosphor bronze	2	Nickel plating	—
4	Square nut	Brass	2	Nickel plating	M2x0.4
3	Shell	Steel	1	Nickel plating	—
2	Contact	Phosphor bronze	68	See note #1	—
1	Insulator	PA9T	1	—	UL94V-0 black

LTR.	DATE	BY	REV.	DESCRIPT	No.	PART NAME	MATERIAL	QTY	FINISH	NOTE
	Jan.16, 2009		2 / 1							
DATE						SCALE	UNIT	3RD. A. P		
APP. DATE&REV.						HONDA TSUSHIN KOGYO CO., LTD.				
DR.	DE.	CHK.	CHK.	APP.	NAME	0.8mm spacing 68pos. female connector (RoHS)				
H. AIZAWA	H. AIZAWA	K. TAKAHASHI	—	K. KASAI	PART NO.	HDRA-EC68FDT-GP+				REV.



NOTE 1. CONTACT PLATING  
 CONTACT AREA: GOLD 0.76 μm MIN.  
 TERMINAL AREA: GOLD 0.05 μm  
 ALL OVER NICKEL UNDERPLATED.

2. TWO LOCK SCREWS (ITEM #6) ARE SUPPLIED WITH CONNECTOR.

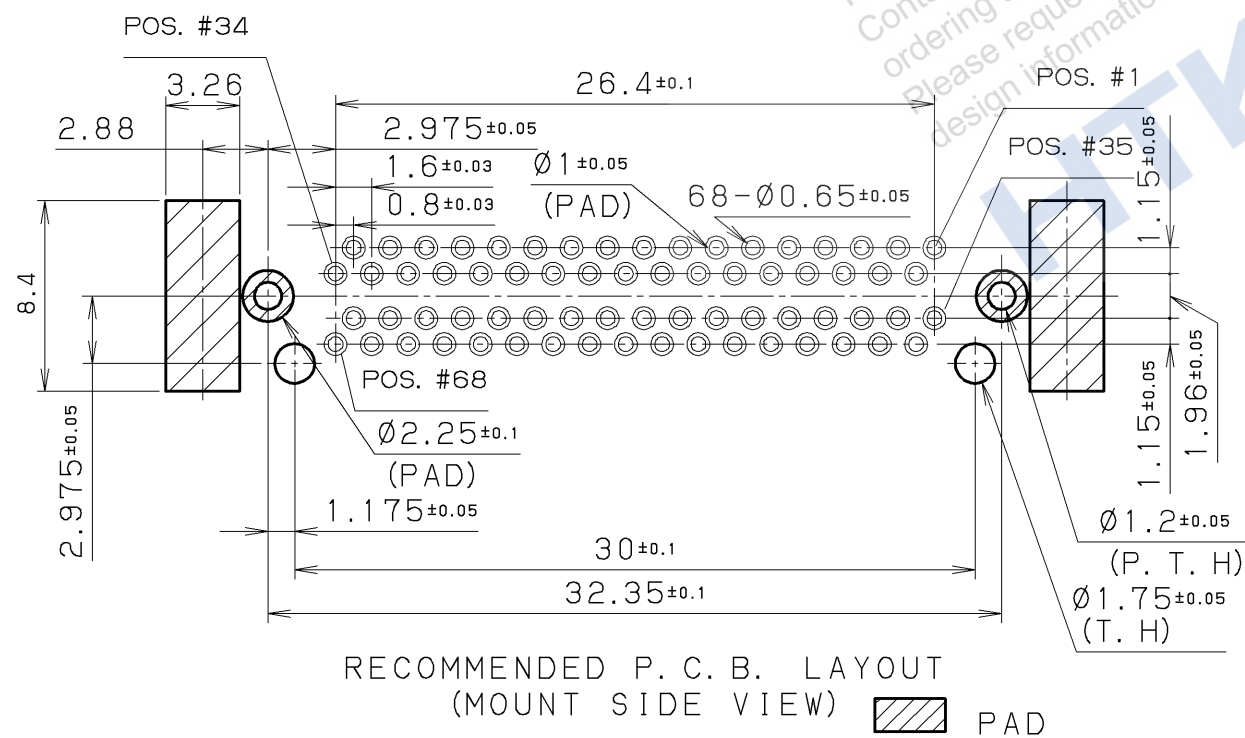
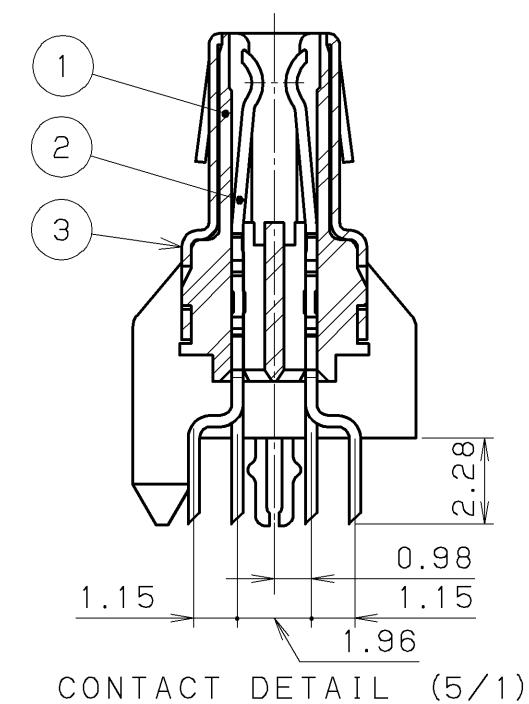
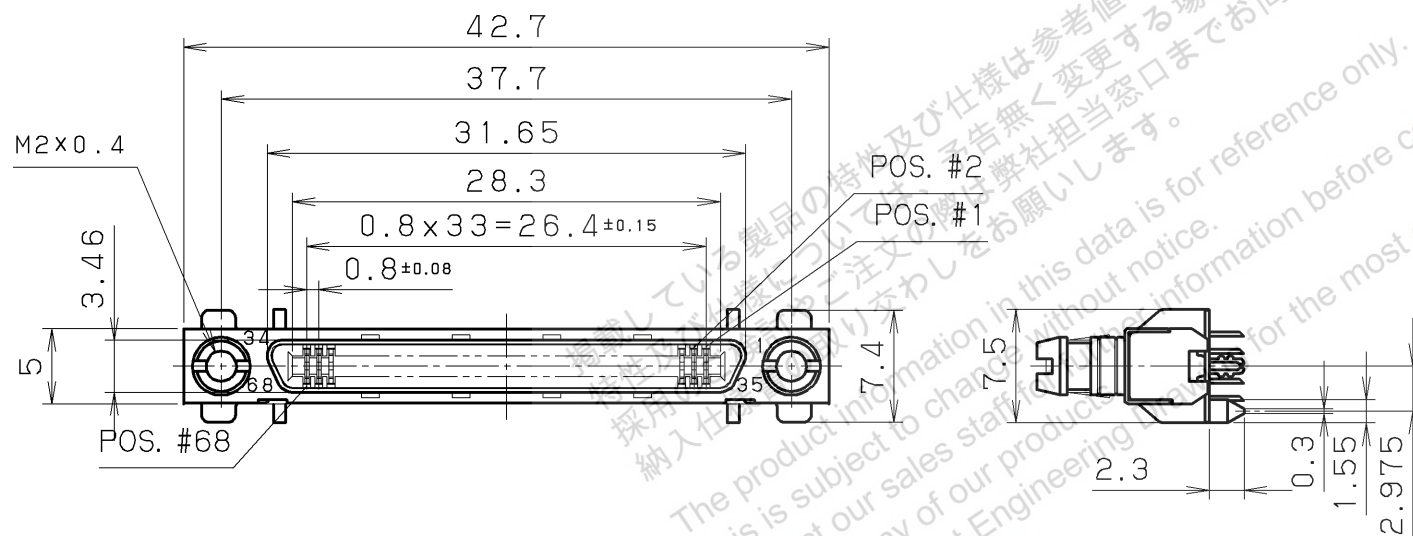
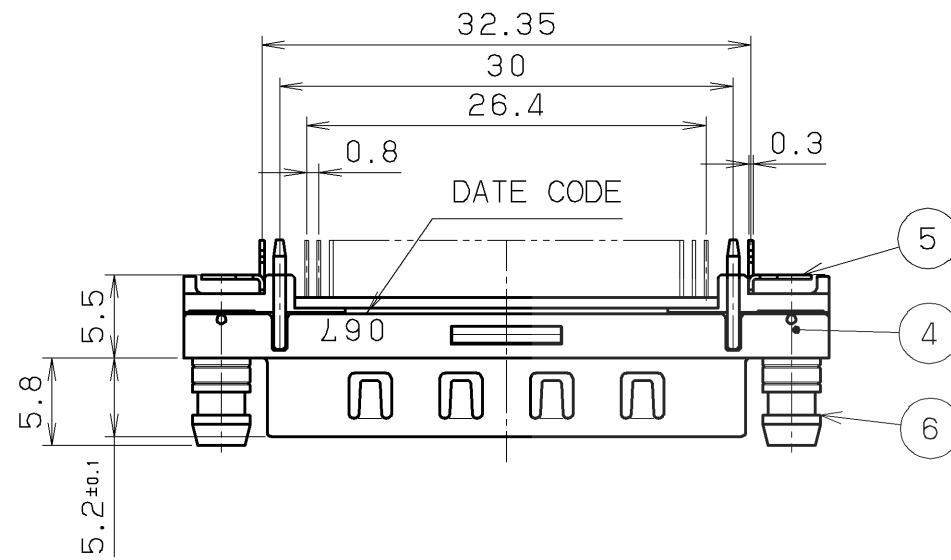


6	LOCK SCREW	STEEL	2	NICKEL PLATING	M2
5	HOLD DOWN	PHOSPHOR BRONZE	2	NICKEL PLATING	
4	SQR. NUT	BRASS	2	NICKEL PLATING	M2x0.4
3	SHELL	STEEL	1	NICKEL PLATING	
2	CONTACT	PHOSPHOR BRONZE	68	SEE NOTE 1	
1	INSULATOR	PART	1		UL94V-0 BLACK

LTR.	DATE	BY	REV.	DESCRIPT	No.	PART NAME	MATERIAL	QTY	FINISH	NOTE
	DATE									
	May-23.2014									
	APP. DATE&REV.									
	DR.	DE.	CHK.	CHK.	APP.	NAME	0.8mm SPACING 68POS. FEMALE CONNECTOR			
	A. TASHIRO	A. TASHIRO	—	K. OOKAKU	Y. KATO	PART NO.	HDRA-EC68FDT-SL+			REV.

RECOMMENDED P. C. B. LAYOUT (MOUNT SIDE VIEW) PAD

NOTE 1. CONTACT PLATING  
 CONTACT AREA: GOLD 0.76 μm MIN.  
 TERMINAL AREA: GOLD 0.05 μm  
 ALL OVER NICKEL UNDERPLATED.



6	LOCK SCREW	STEEL	2	NICKEL PLATING	M2
5	HOLD DOWN	PHOSPHOR BRONZE	2	NICKEL PLATING	
4	SQR. NUT	BRASS	2	NICKEL PLATING	M2×0.4
3	SHELL	STEEL	1	NICKEL PLATING	
2	CONTACT	PHOSPHOR BRONZE	68	SEE NOTE 1	
1	INSULATOR	PART	1		UL94V-0 BLACK

LTR.	DATE	BY	REV.	DESCRIPT	No.	PART NAME	MATERIAL	QTY	FINISH	NOTE
	DATE									
	Dec. 7. 2005									
	APP. DATE & REV.									
	DR.	DE.	CHK.	CHK.	APP.	NAME	0.8mm SPACING 68POS. FEMALE CONNECTOR			
	Y. KATO	Y. KATO			K. KASHIO	PART NO.	HDRA-EC68FDT-SLD+			REV. A