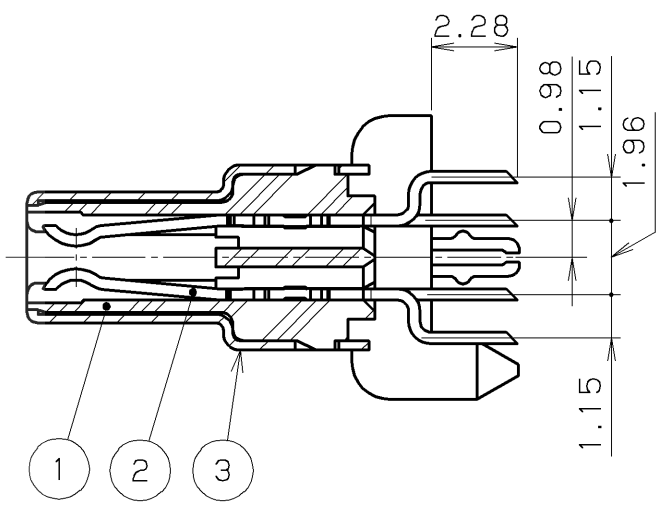
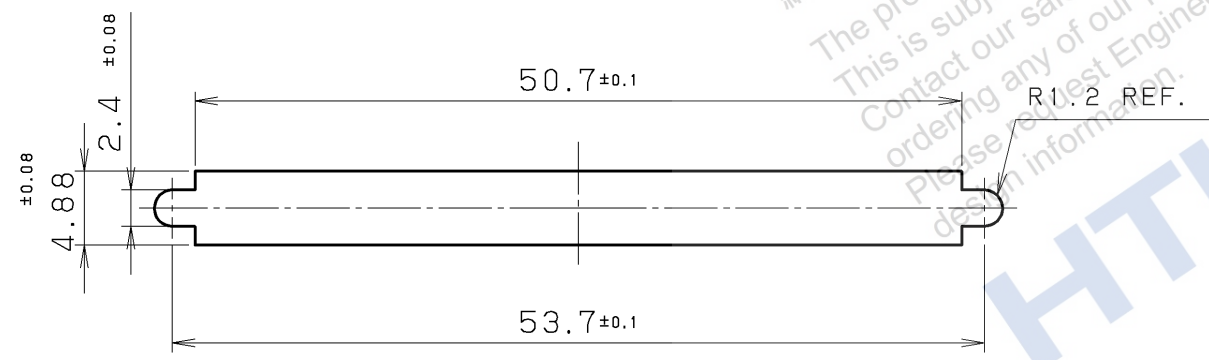


RECOMMENDED P. C. B. LAYOUT (MOUNT SIDE VIEW)  PAD



CONTACT DETAIL (5/1)

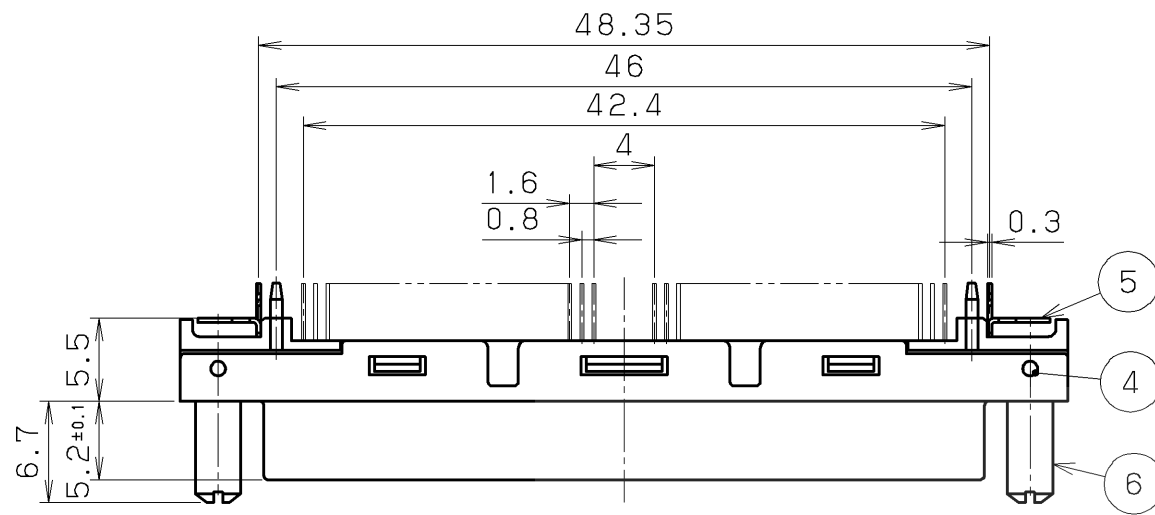


RECOMMENDED PANEL CUT-OUT DIMENSIONS

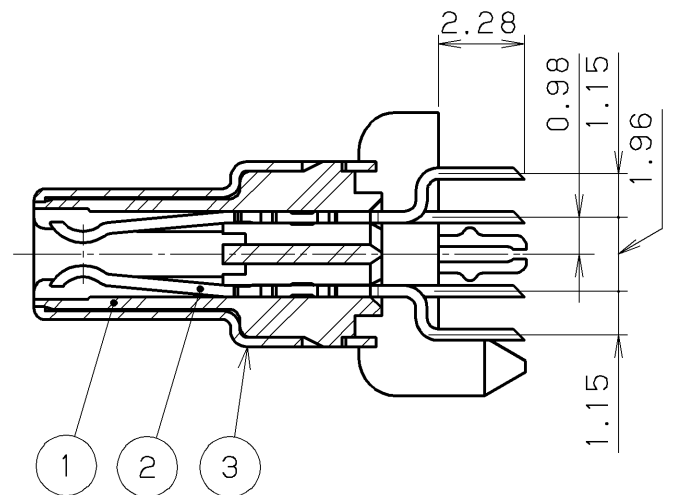
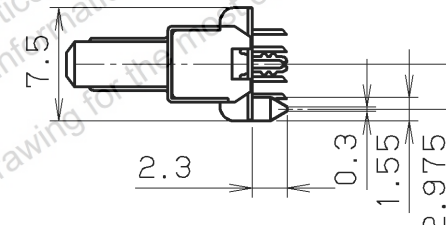
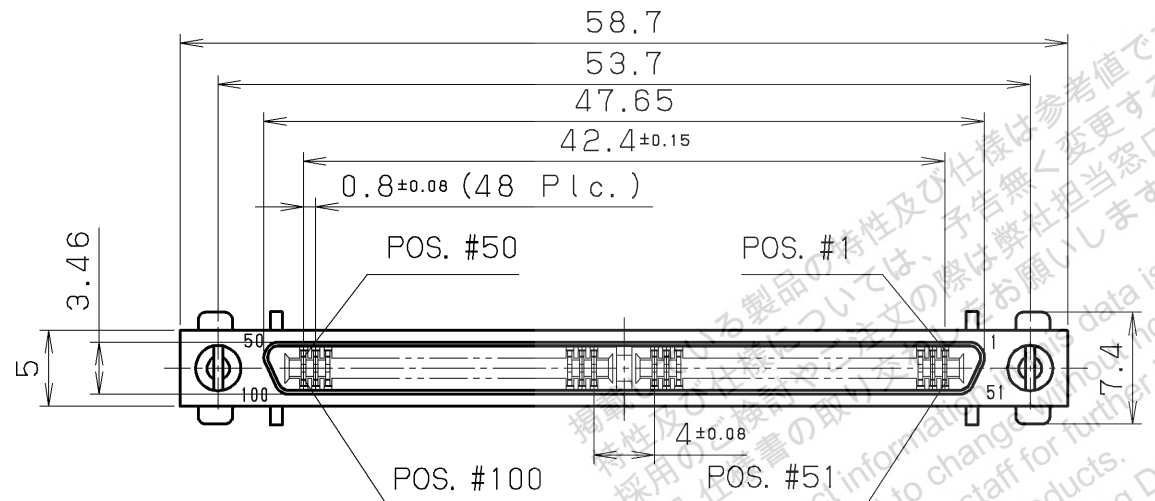
NOTE 1. CONTACT PLATING
 CONTACT AREA: GOLD 0.76 μm MIN.
 TERMINAL AREA: GOLD 0.05 μm
 ALL OVER NICKEL UNDERPLATED.

5	HOLD DOWN	PHOSPHOR BRONZE	2	NICKEL PLATING	
4	SQR. NUT	BRASS	2	NICKEL PLATING	M2x0.4
3	SHELL	STEEL	1	NICKEL PLATING	
2	CONTACT	PHOSPHOR BRONZE	100	SEE NOTE 1	
1	INSULATOR	PA9T	1		UL94V-0 BLACK

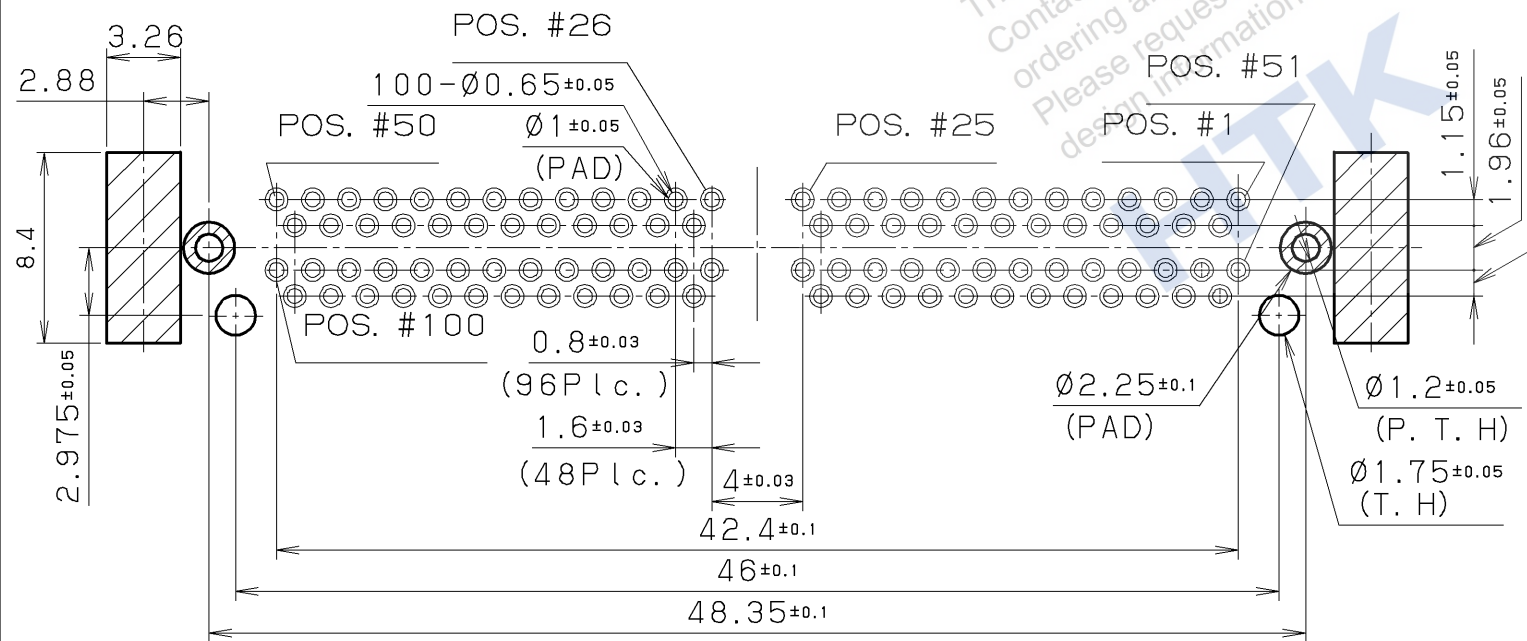
LTR.	DATE	BY	REV.	DESCRIPT	No.	PART NAME	MATERIAL	QTY	FINISH	NOTE
	Dec. 7. 2005	Y. KATO	2	1	3RD. A. P	HONDA TSUSHIN KOGYO CO., LTD.				
						NAME	0.8mm SPACING 100POS. FEMALE CONNECTOR			
						PART NO.	HDRA-EC100FDT+			REV. 1A



NOTE 1. CONTACT PLATING
 CONTACT AREA: GOLD 0.76 μm MIN.
 TERMINAL AREA: GOLD 0.05 μm
 ALL OVER NICKEL UNDERPLATED.



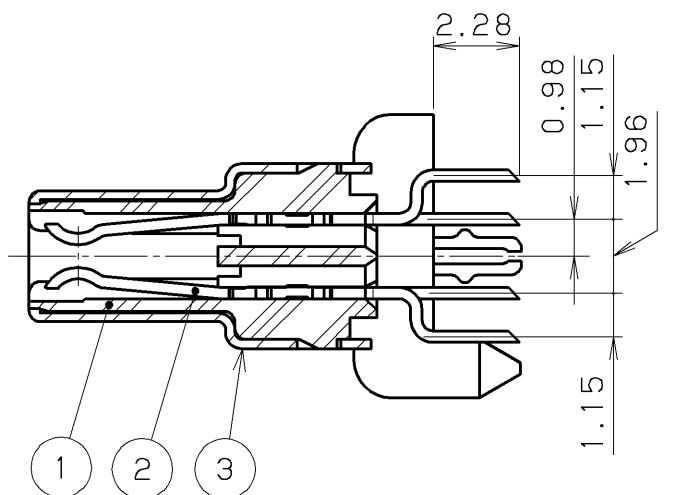
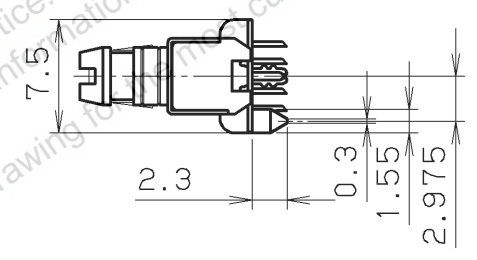
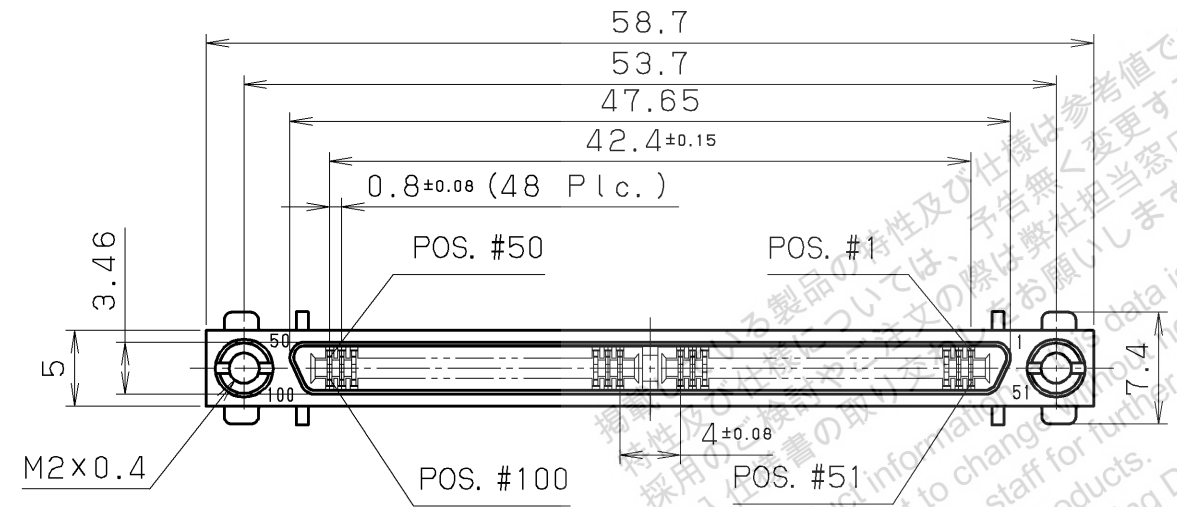
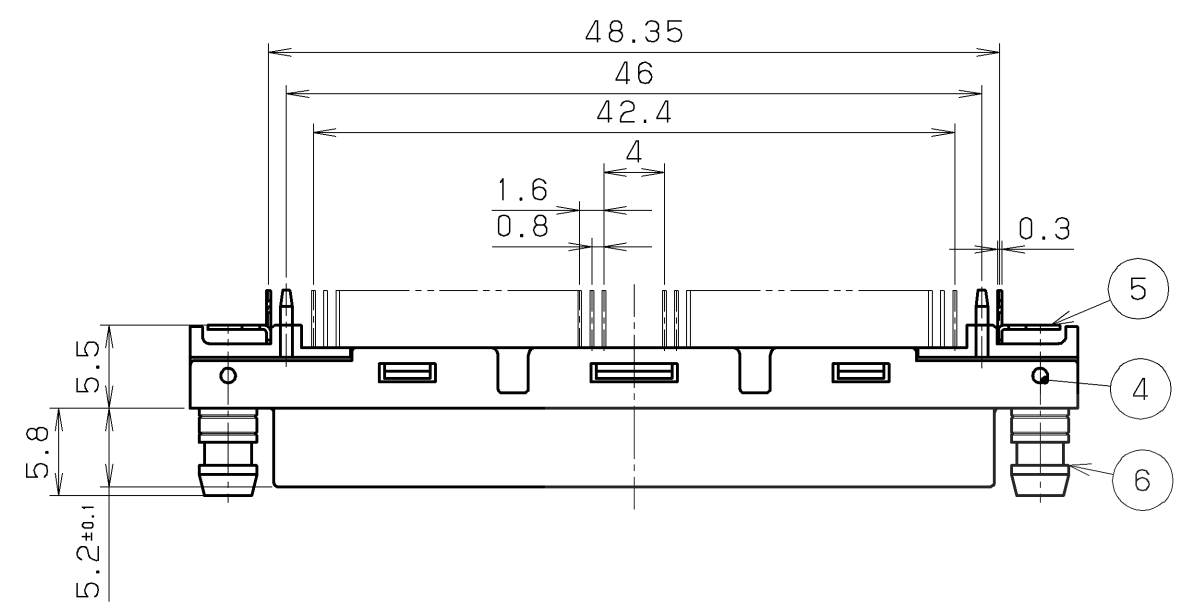
CONTACT DETAIL (5/1)



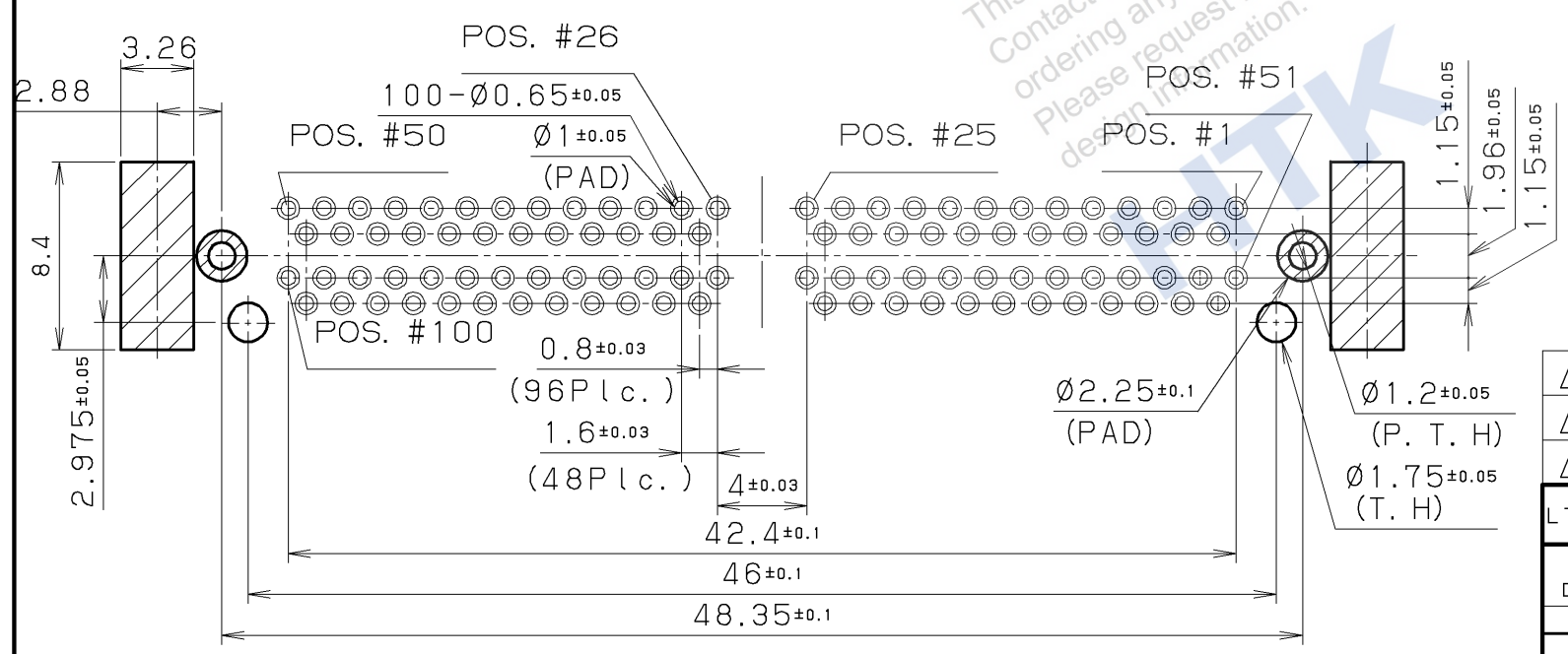
RECOMMENDED P. C. B. LAYOUT (MOUNT SIDE VIEW) PAD

6	GUIDE PIN	STEEL	2	NICKEL PLATING	M2
5	HOLD DOWN	PHOSPHOR BRONZE	2	NICKEL PLATING	
4	SQR. NUT	BRASS	2	NICKEL PLATING	M2 x 0.4
3	SHELL	STEEL	1	NICKEL PLATING	
2	CONTACT	PHOSPHOR BRONZE	100	SEE NOTE 1	
1	INSULATOR	PA9T	1		UL94V-0 BLACK

LTR.	DATE	BY	REV.	DESCRIPT	No.	PART NAME	MATERIAL	QTY	FINISH	NOTE
	Oct. 9. 2011		2 / 1							
DATE						SCALE	UNIT	3RD. A. P		
APP. DATE & REV.						HONDA TSUSHIN KOGYO CO., LTD.				
DR.	DE.	CHK.	CHK.	APP.	NAME		0.8mm SPACING 100POS. FEMALE CONNECTOR			
Y. KATO	Y. KATO			C. NUNOKAWA	PART NO.	HDRA-EC100FDT-GP+	REV.			



CONTACT DETAIL (5/1)



RECOMMENDED P. C. B. LAYOUT (MOUNT SIDE VIEW) PAD

NOTE 1. CONTACT PLATING
 CONTACT AREA: GOLD 0.76 μm MIN.
 TERMINAL AREA: GOLD 0.05 μm
 ALL OVER NICKEL UNDERPLATED.

The product information and data is for reference only.
 This is subject to change without notice.
 Contact our sales staff for further information before considering or ordering any of our products.
 Please request Engineering Drawing for the most current and accurate design information.
 本製品の性能及び仕様は参考値です。
 予告なく変更する場合があります。
 採用の際は弊社担当窓口までお問い合わせのうえ、
 納入仕様書の取扱いについて、お願いたします。

6	LOCK SCREW	STEEL	2	NICKEL PLATING	M2
5	HOLD DOWN	PHOSPHOR BRONZE	2	NICKEL PLATING	
4	SQR. NUT	BRASS	2	NICKEL PLATING	M2x0.4
3	SHELL	STEEL	1	NICKEL PLATING	
2	CONTACT	PHOSPHOR BRONZE	100	SEE NOTE 1	
1	INSULATOR	PA9T	1		UL94V-0 BLACK

LTR.	DATE	BY	REV.	DESCRIPT	No.	PART NAME	MATERIAL	QTY	FINISH	NOTE
	DATE			SCALE		UNIT				
	Dec. 7. 2005			2 / 1		mm (INCH)				3RD. A. P
APP. DATE & REV.						HONDA TSUSHIN KOGYO CO., LTD.				
DR.	DE.	CHK.	CHK.	APP.	NAME		0.8mm SPACING 100POS. FEMALE CONNECTOR			
Y. KATO	Y. KATO		C. NUNOKAWA	H. EBIHARA	PART NO.	HDRA-EC100FDT-SLD+	REV.			