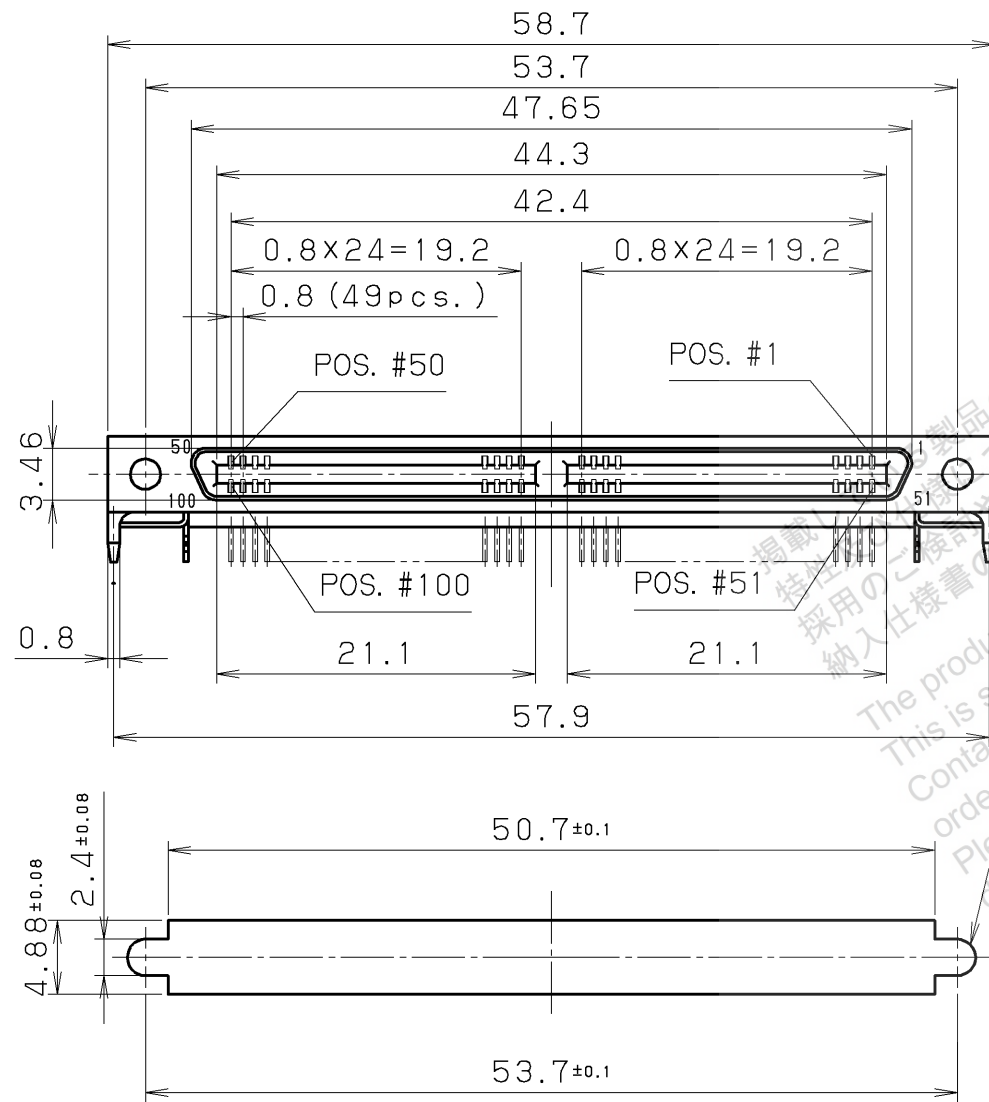


RECOMMENDED P. C. B. LAYOUT
(MOUNT SIDE VIEW)
(SCALE=3/1)



RECOMMENDED
PANEL CUT-OUT DIMENSIONS

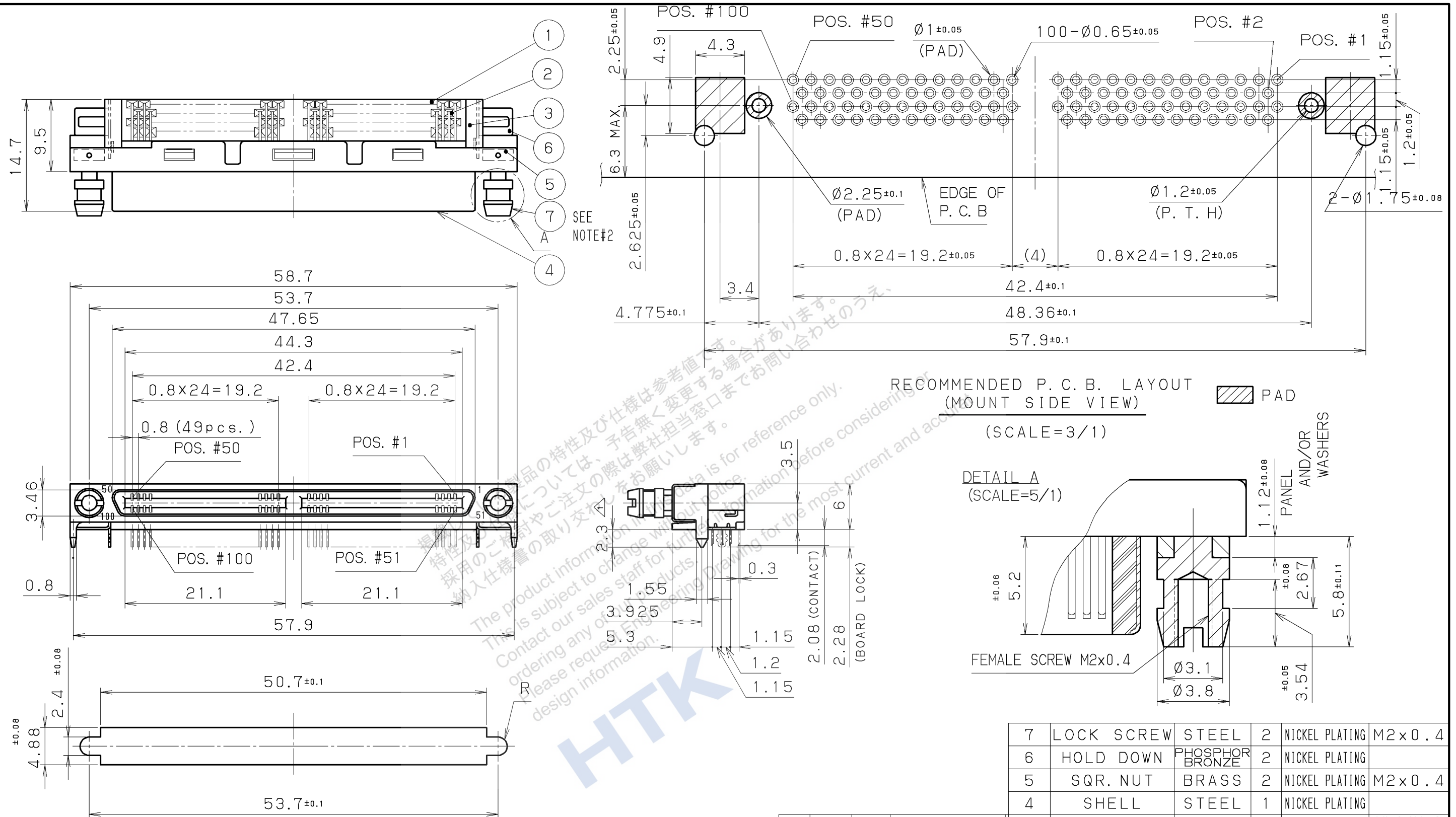
NOTE 1. CONTACT PLATING
CONTACT AREA: GOLD 0.1 μ m MIN. OVER PALLADIUM/NICKEL 0.5 μ m
TERMINAL AREA: GOLD 0.05 μ m
ALL OVER NICKEL UNDERPLATED.

HTTK

The product information in this data is for reference only.
This is subject to change without notice.
Contact our sales staff for further information before considering
ordering any of our products.
Please request Engineering Drawing for the most current and accurate
design information.
特許情報、製品の特性及び仕様は参考値です。
これは予告なく変更する場合があります。
採用のご検討については、ご注文の際は弊社担当窓口までお問い合わせのうえ、
納入仕様書の取り交わしをお願いします。

△3				6	HOLD DOWN	PHOSPHOR BRONZE	2	NICKEL PLATING	
△2				5	SQR. NUT	BRASS	2	NICKEL PLATING	M2×0.4
△1				4	SHELL	STEEL	1	NICKEL PLATING	
				3	INSULATOR	PPS	1		UL94V-0 BLACK
				2	CONTACT	PHOSPHOR BRONZE	100	SEE NOTE 1	
				1	BRACKET	PPS	1		UL94V-0 BLACK

LTR.	DATE	BY	REV.	DESCRIPT	No.	PART NAME	MATERIAL	QTY	FINISH	NOTE
	DATE		SCALE		UNIT	3RD. A. P	HONDA TSUSHIN KOGYO CO., LTD.			
	Sep. 29. 2005		2 / 1		mm (INCH)					
	APP. DATE & REV.									
	DR.	DE.	CHK.	CHK.	APP.	NAME	0.8mm SPACING 100POS. R/A FEMALE CONNECTOR			
	Y. KATO	Y. KATO	—	C. NUNOKAWA	H. EBIHARA	PART NO.	HDRA-E100LFDT+			REV.



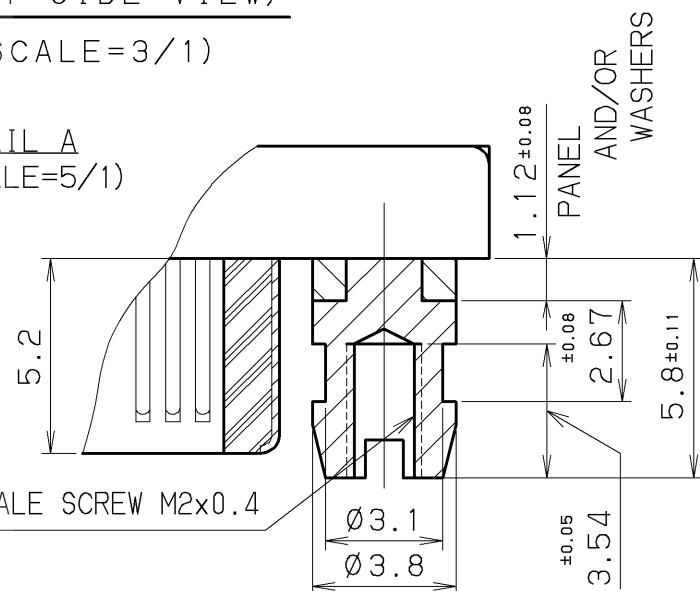
RECOMMENDED
PANEL CUT-OUT DIMENSIONS

(t=1.12±0.08)

NOTE #1. CONTACT PLATING
CONTACT AREA: Pd/Ni0.5µm+GOLD0.1µmMIN.
TERMINAL AREA: TIN/LEAD2.6~5µm
ALL OVER NICKEL PLATED.
△ #2. TWO LOCK SCREWS (ITEM#7) ARE
SUPPLIED WITH A CONNECTOR.

RECOMMENDED P. C. B. LAYOUT
(MOUNT SIDE VIEW)
(SCALE=3/1)

DETAIL A
(SCALE=5/1)



7	LOCK SCREW	STEEL	2	NICKEL PLATING	M2x0.4
6	HOLD DOWN	PHOSPHOR BRONZE	2	NICKEL PLATING	
5	SQR. NUT	BRASS	2	NICKEL PLATING	M2x0.4
4	SHELL	STEEL	1	NICKEL PLATING	
3	INSULATOR	PPS	1		UL94V-0 BLACK
2	CONTACT	PHOSPHOR BRONZE	100	SEE NOTE 1	
1	BRACKET	PPS	1		UL94V-0 BLACK

△	DATE	BY	REV.	DESCRPT	No.	PART NAME	MATERIAL	QTY	FINISH	NOTE
△	SEP.12 2000	Y. K	2	CHANGE DIM. ADD NOTE#2						
LTR. DATE BY REV. DESCRPT No. PART NAME MATERIAL QTY FINISH NOTE						DATE SCALE UNIT 3RD. A. P				
SEP.30.1998 2 / 1 mm (INCH)						HONDA TSUSHIN KOGYO CO., LTD.				
APP. DATE&REV.						NAME 0.8mm SPACING 100POS. R/A FEMALE CONNECTOR				
DR. DE. CHK. CHK. APP.						PART NO. HDRA-E100LFDT-SL REV. 1A				
Y. KATO Y. KATO — C. NUNOKAWA H. EBIHARA										