

DETAIL A
(SCALE=5/1)

(SCALE=5/1)

EDGE OF P. C. BOARD

SEE DETAIL A

2.25±0.05

2.625±0.05

6.3MAX.

2.775±0.05

POS. #2

POS. #1

26.8±0.05

PLATED (THROUGH HOLE)
68-Ø0.65±0.05

DRILL HOLE
Ø0.7 ±0.05

Ø1 ±0.05

PAD

PAD

PLATED (THROUGH HOLE)
2-Ø1.2±0.05

DRILL HOLE
Ø1.25±0.05

Ø1.75±0.08

THROUGH HOLE

±0.03

1.15

1.2±0.03

±0.03

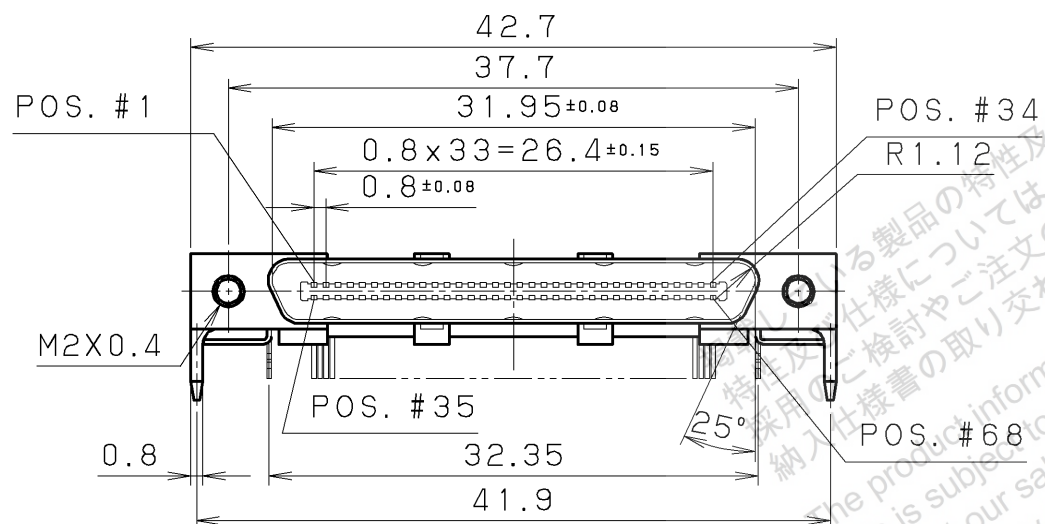
1.15

32.35±0.05

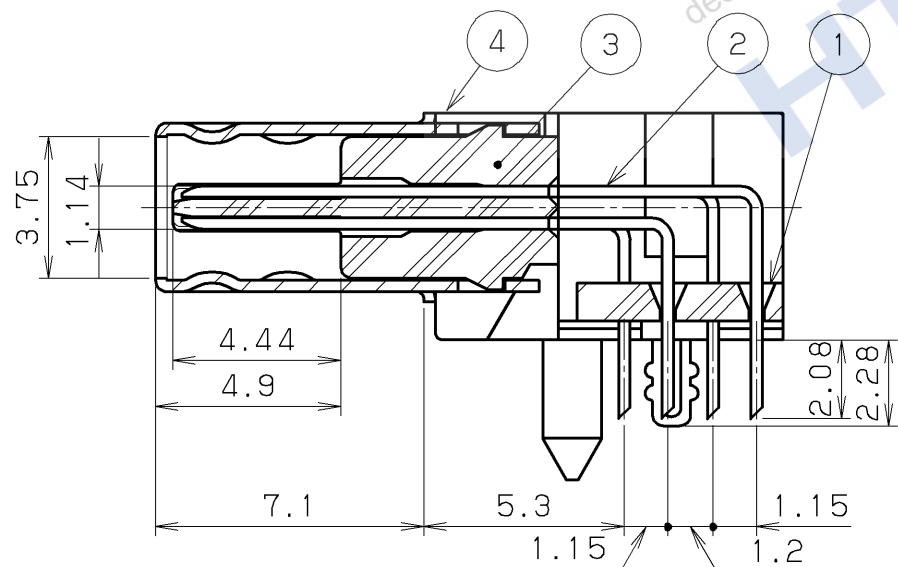
41.9±0.05

RECOMMENDED P. C. B. LAYOUT
(MOUNT SIDE VIEW)

(SCALE=5/1)



NOTE 1. CONTACT PLATING
CONTACT AREA: GOLD 0.76µm MIN.
TERMINAL AREA: GOLD 0.05µm
ALL OVER NICKEL UNDERPLATED.



CONTACT DETALE (5/1)

△				5	HOLD DOWN	PHOSPHOR BRONZE	2	NICKEL PLATING	
△				4	SHELL	STEEL	1	NICKEL PLATING	
△				3	INSULATOR	PA9T	1		UL94V-0 BLACK
△				2	CONTACT	PHOSPHOR BRONZE	68	SEE NOTE 1	
△				1	BRACKET	PPS	1		UL94V-0 BLACK

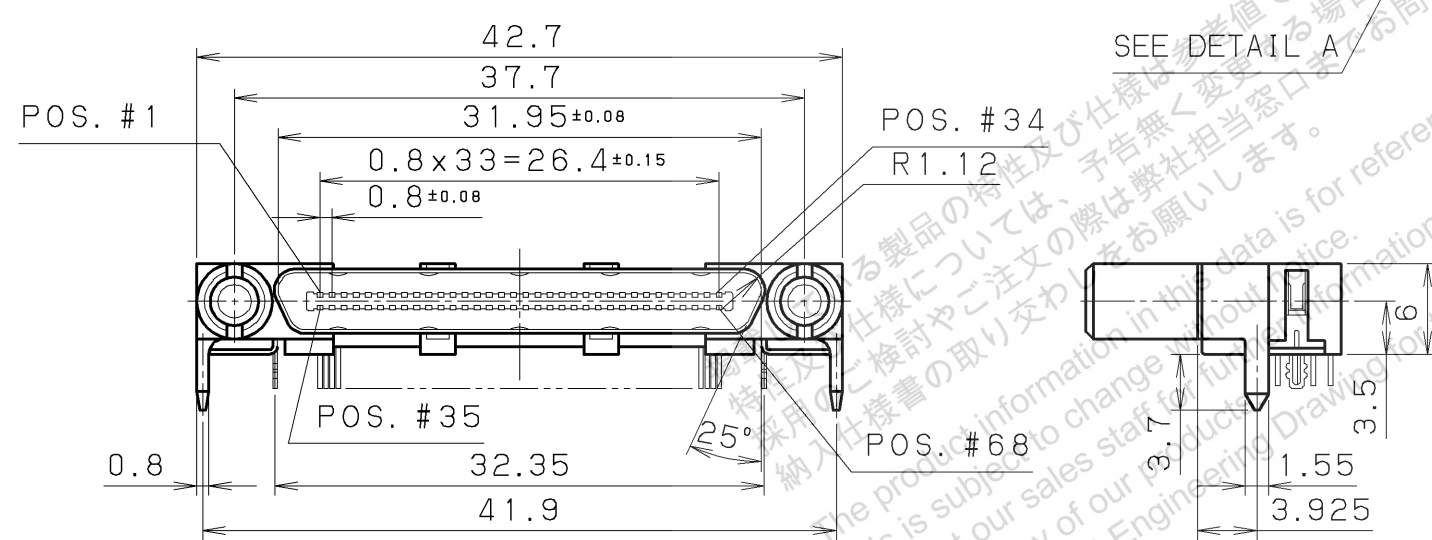
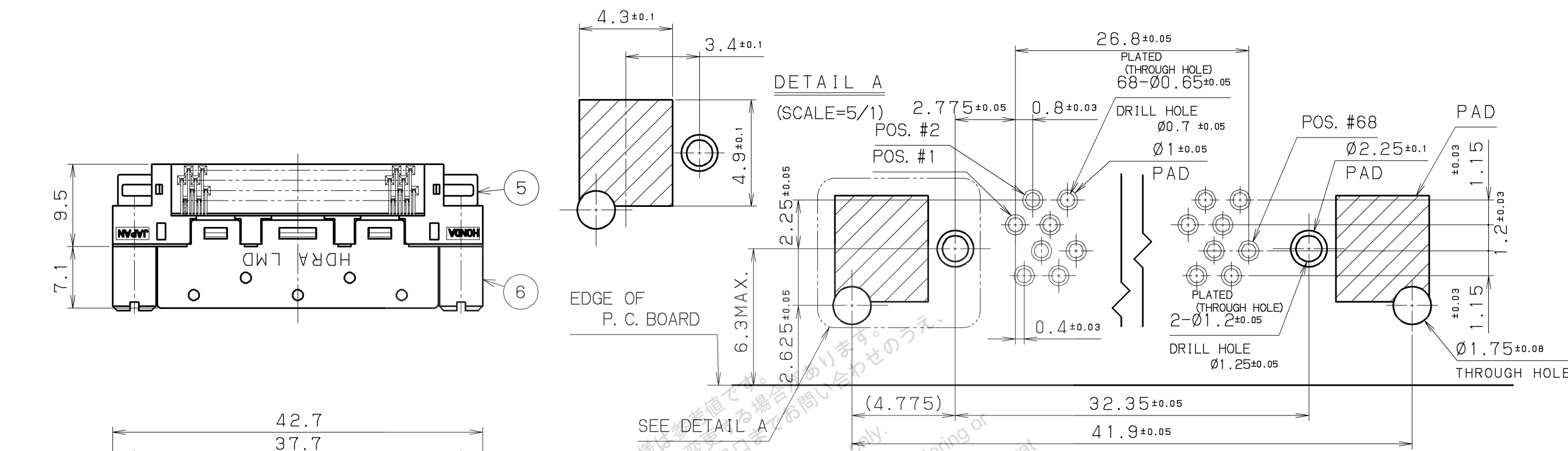
LTR.	DATE	BY	REV.	DESCRIP	No.	PART NAME	MATERIAL	QTY	FINISH	NOTE
------	------	----	------	---------	-----	-----------	----------	-----	--------	------

DATE	SCALE	UNIT	3RD. A. P	HONDA TSUSHIN KOGYO CO., LTD.						
Dec. 9. 2005	2 / 1	mm (INCH)								

APP. DATE&REV.					NAME	0.8mm SPACING 68POS. R/A MALE CONNECTOR				
----------------	--	--	--	--	------	---	--	--	--	--

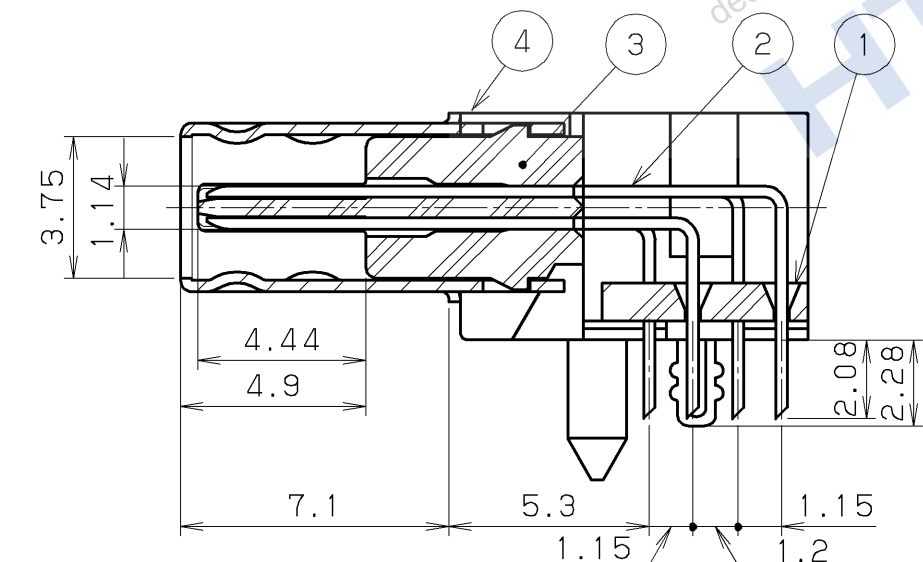
DR.	DE.	CHK.	CHK.	APP.	PART NO.	HDRA-EC68LMDT+				REV.
-----	-----	------	------	------	----------	----------------	--	--	--	------

Y. KATO	Y. KATO			H. EBIHARA						
---------	---------	--	--	------------	--	--	--	--	--	--



RECOMMENDED P.C.B. LAYOUT
(MOUNT SIDE VIEW)
(SCALE=5/1)

NOTE 1. CONTACT PLATING
CONTACT AREA: GOLD 0.76μm MIN.
TERMINAL AREA: GOLD 0.05μm
ALL OVER NICKEL UNDERPLATED.



CONTACT DETALE (5/1)

△					6	GUIDE BUSHING	STEEL	2	NICKEL PLATING	
△					5	HOLD DOWN	PHOSPHOR BRONZE	2	NICKEL PLATING	
△					4	SHELL	STEEL	1	NICKEL PLATING	
△					3	INSULATOR	PA9T	1		UL94V-0 BLACK
△					2	CONTACT	PHOSPHOR BRONZE	68	SEE NOTE 1	
△					1	BRACKET	PPS	1		UL94V-0 BLACK
LTR.	DATE	BY	REV.	DESCRIP	No.	PART NAME	MATERIAL	QTY	FINISH	NOTE
	DATE		SCALE		UNIT	3RD. A. P	HONDA TSUSHIN KOGYO CO., LTD.			
	Jan.26.2006		2 / 1		mm (INCH)					
	APP. DATE&REV.									
	DR.	DE.	CHK.	CHK.	APP.	NAME	0.8mm SPACING 68POS. R/A MALE CONNECTOR (RoHS)			
	Y. KATO	Y. KATO			H. EBIHARA	PART NO.	HDRA-EC68LMDT-GP+			REV.