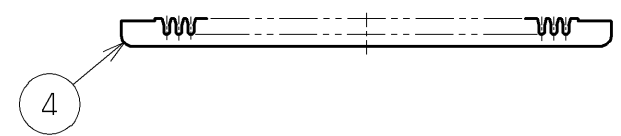
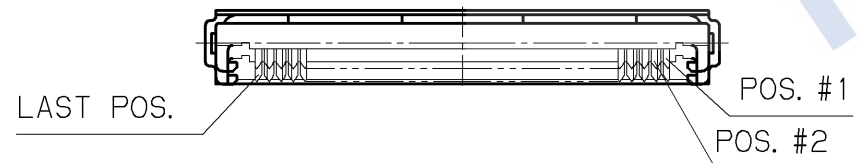
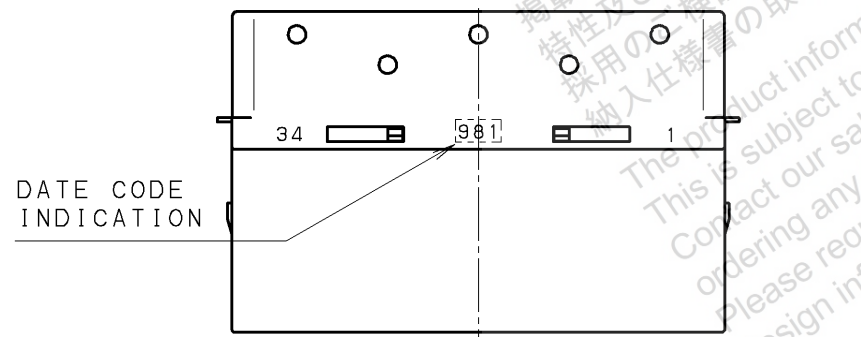
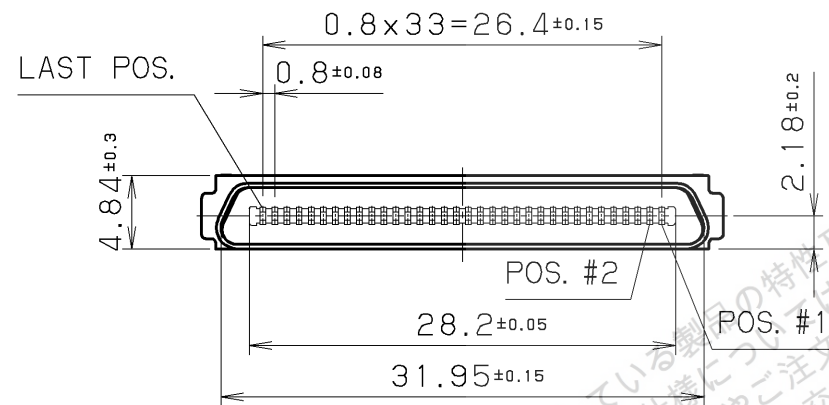


CONTACT DETAIL
(5/1)



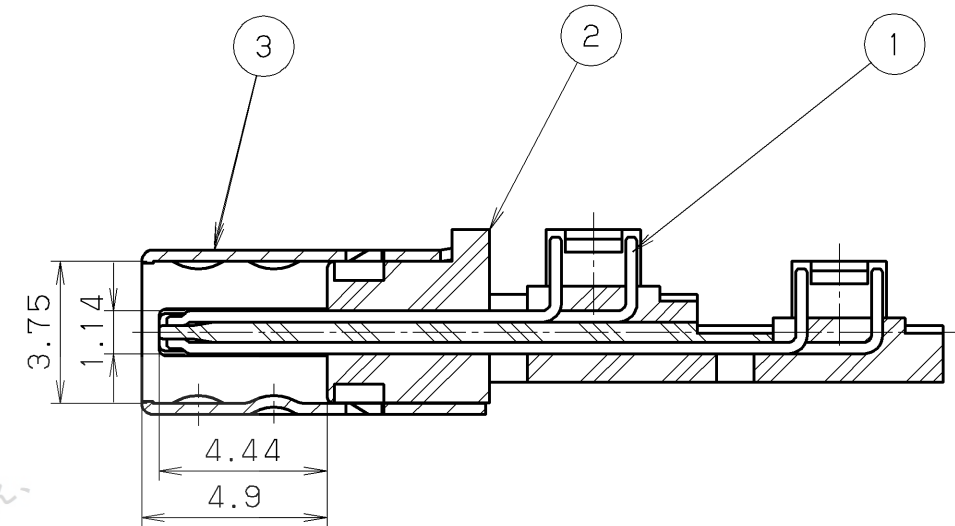
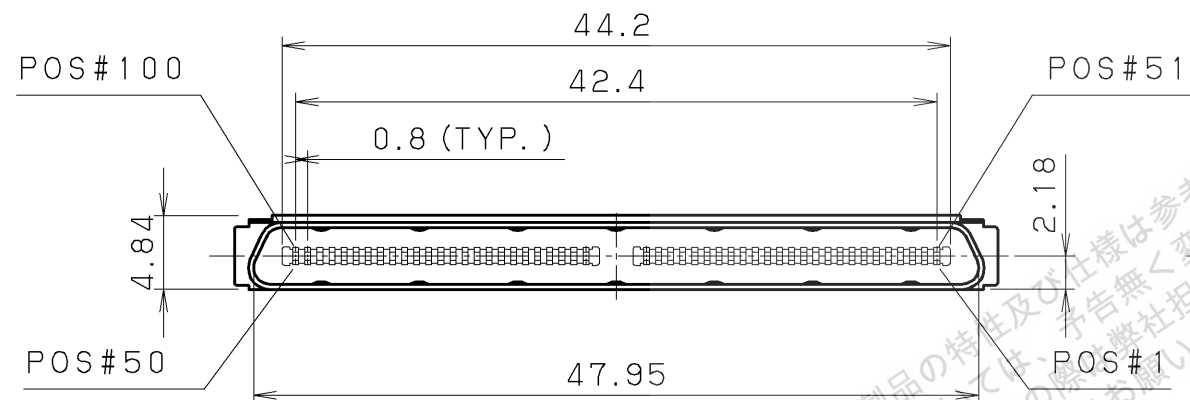
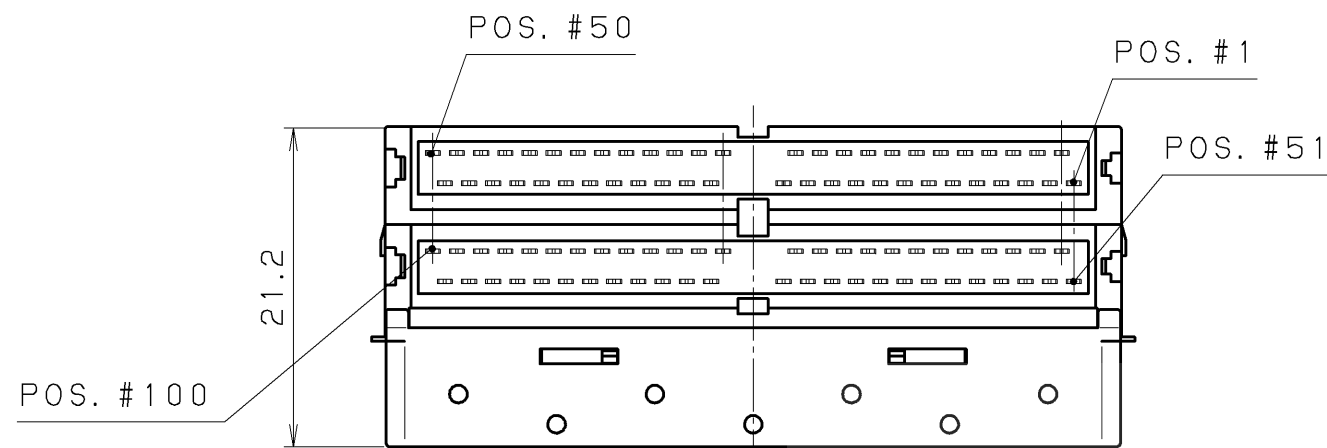
NOTE 1. CONTACT PLATING
 CONTACT AREA : Pd/Ni 0.5μm+GOLD 0.1μmMIN.
 TERMINAL AREA : GOLD 0.05μm
 ALL OVER NICKEL UNDERPLATED

2. APPLICABLE CABLE COVER: P/N: HDRA-E68LGKPC
 3. MATING CONNECTOR: P/N: HDRA-E68LFDT-SL
 4. APPLICABLE WIRE SIZE AWG#30 (1/0.254)
 Ø0.58 (CORE JACKET O. D.)

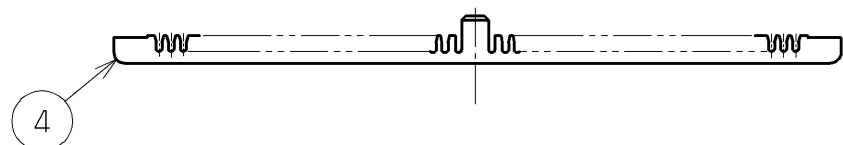
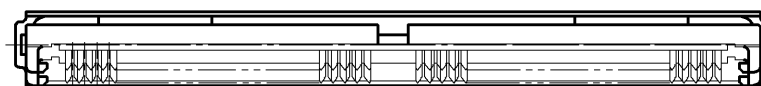
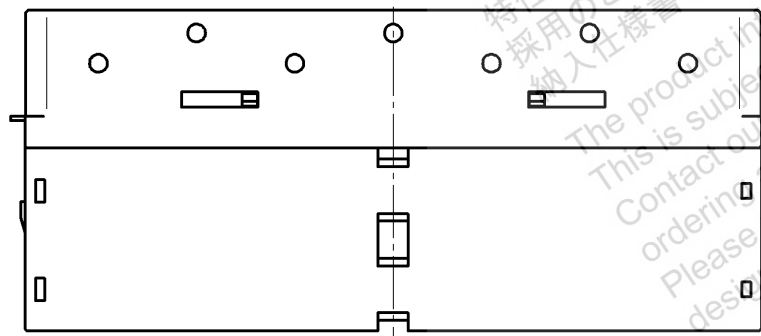
LTR.	DATE	BY	REV.	DESCRIPT	No.	PART NAME	MATERIAL	QTY	FINISH	NOTE
					4	CABLE HOUSING	PBT (GF)	2		UL94V-0 BROWN
					3	SHELL	STEEL	1	NICKEL	
					2	INSULATOR	PBT (GF)	1		UL94V-0 BROWN
	May 15 2013	M. K	Revised.		1	CONTACT	PHOSPHOR BRONZE	68	SEE NOTE 1	

DATE	SCALE	UNIT	3RD. A. P
July. 18, 2006	2 / 1	mm (INCH)	

DR.	DE.	CHK.	CHK.	APP.	NAME	PART NO.	REV.
M. KASHIHARA	M. KASHIHARA	—	—	Y. KATO	0.8mm SPACING 68POS. FOR CABLE IDC MALE CONNECTOR	HDRA-E68M1+	1 A



CONTACT DETAIL
(5/1)



NOTE 1. CONTACT PLATING

CONTACT AREA: Pd/Ni 0.5 μm + GOLD 0.1 μm MIN.
 TERMINAL AREA: GOLD 0.05 μm
 ALL OVER NICKEL UNDERPLATED

- 2. APPLICABLE CABLE COVER: P/N: HDRA-E100LPA () AND OTHERS
- 3. MATING CONNECTOR: P/N: HDRA-E100W () LFDT1EC-SL+ AND OTHERS
- 4. APPLICABLE WIRE SIZE: AWG#30 (1/0.254)
 Ø0.58 (CORE JACKET O. D.)

				4	CABLE HOUSING	PBT (GF)	2		UL94V-0 BROWN
				3	SHELL	STEEL	1	NICKEL	
△	Jan. 09 .2020	S. Y	Revised.	2	INSULATOR	PBT (GF)	1		UL94V-0 BROWN
△	May. 15 .2013	M. K	Revised.	1	CONTACT	PHOSPHOR BRONZE	100	SEE NOTE 1	
LTR.	DATE	BY	REV. DESCRIPT	No.	PART NAME	MATERIAL	QTY	FINISH	NOTE
	DATE May. 29. 2004		SCALE 2 / 1		UNIT mm (INCH)	3RD. A. P	HTK HONDA TSUSHIN KOGYO CO., LTD.		
	APP. DATE & REV.					NAME 0.8mm SPACING FOR CABLE IDC MALE CONNECTOR			
	DR. S. YOSHIDA	DE. S. YOSHIDA	CHK. —	CHK. —	APP. Y. KATO	PART NO. HDRA-E100M1+		REV. 2B	