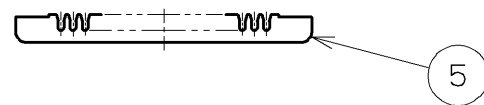
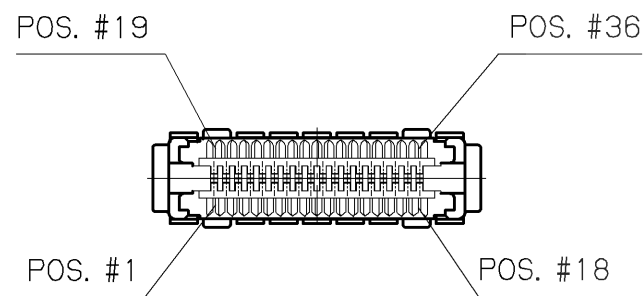
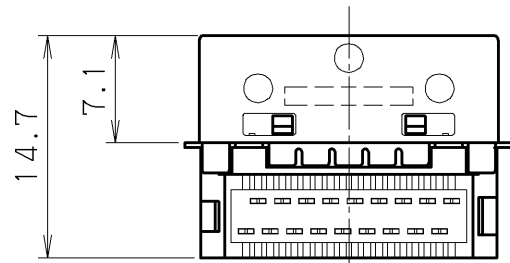


CONTACT DETAIL



NOTE 1. CONTACT PLATING

CONTACT AREA: GOLD 0.1 μm MIN. OVER PALLADIUM/NICKEL 0.5 μm  
 TERMINAL AREA: GOLD 0.05 μm  
 ALL OVER NICKEL UNDERPLATED

2. APPLICABLE CABLE COVER P/N: HDRA-E36LPT ( )

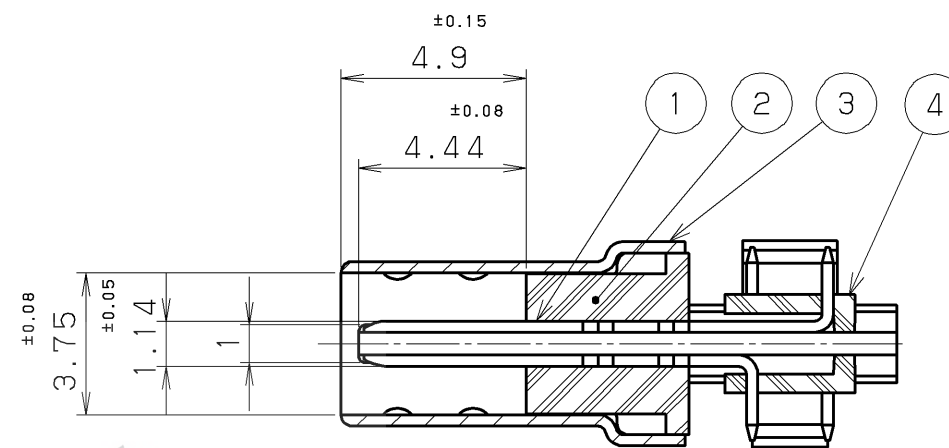
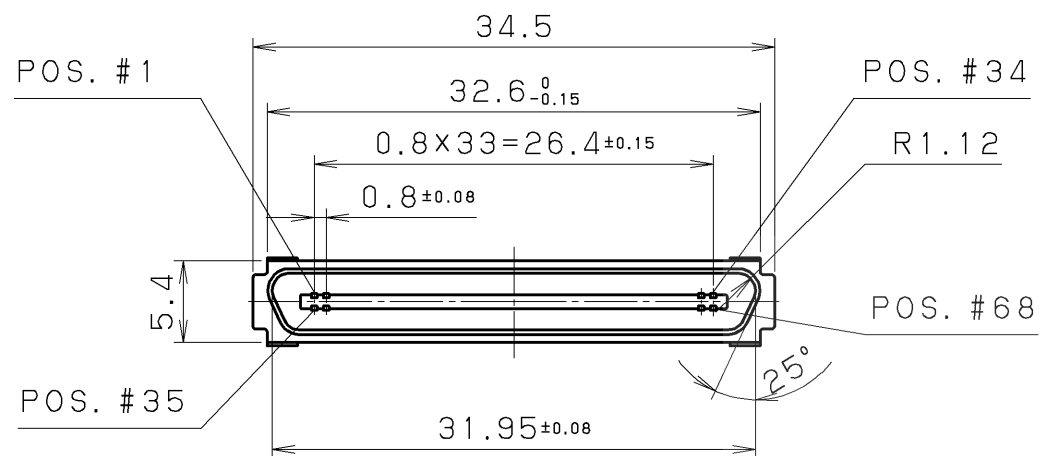
3. MATING CONNECTOR P/N: HDRA-EA36LFDT+

4. APPLICABLE CABLE WIRE SIZE: AWG#30 (7/0.1) AWG#28 (7/0.127),  
 Ø0.58 (INSULATION O. D.)

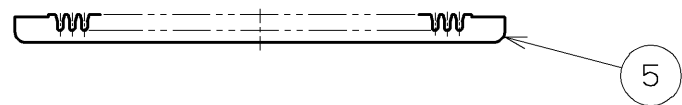
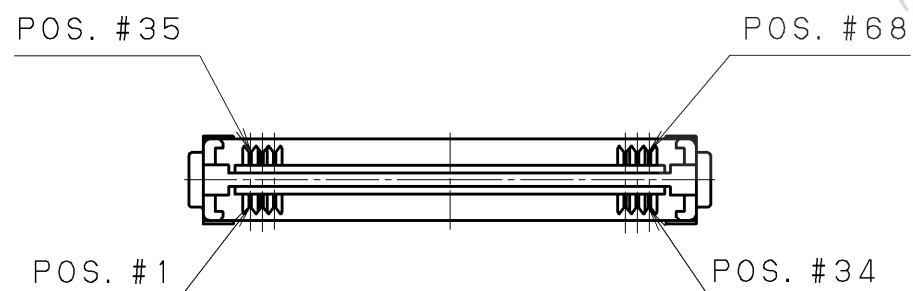
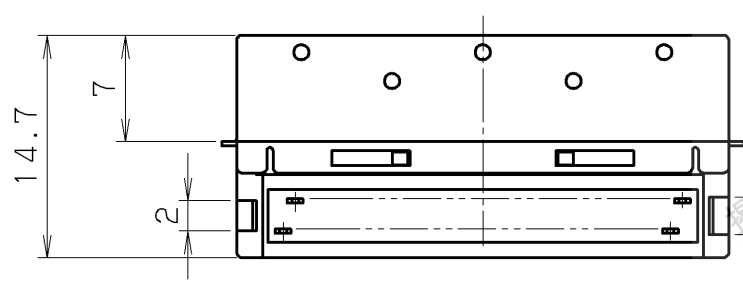
PART NO.	APPLICABLE WIRE SIZE
HDRA-E36MA+	30AWG (7/0.1) INSULATION O. D Ø0.58
* HDRA-E36M+	28AWG (7/0.127) INSULATION O. D Ø0.58

\*: THERE CONFIGURATIONS ARE IN THE PLANING STAGE

LTR.	DATE	BY	REV.	DESCRIPT	No.	PART NAME	MATERIAL	QTY	FINISH	NOTE
					5	CABLE COVER	PBT (GF)	2		UL94V-0 BLACK
					4	SPACER	PBT (GF)	2		UL94V-0 BLACK
					3	SHELL	STEEL	1	NICKEL	
					2	INSULATOR	PBT (GF)	1		UL94V-0 BLACK
					1	CONTACT	PHOSPHOR BRONZE	36	SEE NOTE 1	
DATE						SCALE	UNIT	3RD. A. P		
Mar. 29. 2004						2 / 1	mm (INCH)	HONDA TSUSHIN KOGYO CO., LTD.		
APP. DATE&REV.						NAME		0.8mm SPACING 36POS. CABLE IDC MALE CONNECTOR		
DR. DE. CHK. CHK. APP.						PART NO.		HDRA-E36M ( ) +		
Y. KATO Y. KATO — C. NUNOKAWA H. EBIHARA								REV.		



CONTACT DETAIL



掲載している製品の特性及び仕様は参考値です。  
 本性及び仕様については、予告無く変更する場合があります。  
 採用のご検討やご注文の際は弊社担当窓口までお問い合わせのうえ、  
 納入仕様書の取り寄せをお願いいたします。  
 The product information in this data is for reference only.  
 This is subject to change without notice.  
 Contact our sales staff for further information before considering or  
 ordering any of our products.  
 Please request Engineering Drawing for the most current and accurate  
 design information.

- NOTE 1. CONTACT PLATING  
 CONTACT AREA: GOLD 0.1 μm MIN. OVER PALLADIUM/NICKEL 0.5 μm  
 TERMINAL AREA: GOLD 0.05 μm  
 ALL OVER NICKEL UNDERPLATED
2. APPLICABLE CABLE COVER P/N: HDRA-E68LGKPA  
 3. MATING CONNECTOR P/N: HDRA-E68LFD- ( ) +, HDRA-E68FT ( ) - ( ) +  
 4. APPLICABLE CABLE WIRE SIZE: AWG#30 (7/0.1), Ø0.58 (INSULATION O. D.)

△				5	CABLE COVER	PBT (GF)	2		UL94V-0 BLACK		
△				4	SPACER	PBT (GF)	2		UL94V-0 BLACK		
△				3	SHELL	STEEL	1	NICKEL			
△				2	INSULATOR	PBT (GF)	1		UL94V-0 BLACK		
△				1	CONTACT	PHOSPHOR BRONZE	68	SEE NOTE 1			
LTR.	DATE	BY	REV.	DESCRIP	No.	PART NAME	MATERIAL	QTY	FINISH	NOTE	
	DATE		SCALE	UNIT	3RD. A. P	HONDA TSUSHIN KOGYO CO., LTD.					
	Mar. 29. 2004		2 / 1	mm (INCH)							
	APP. DATE & REV.										
	DR.	DE.	CHK.	CHK.	APP.	NAME	0.8mm SPACING 68POS. CABLE IDC MALE CONNECTOR				
	Y. KATO	Y. KATO	—	C. NUNOKAWA	H. EBIHARA	PART NO.	HDRA-E68MA+				
							REV.				