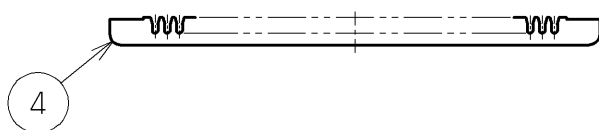
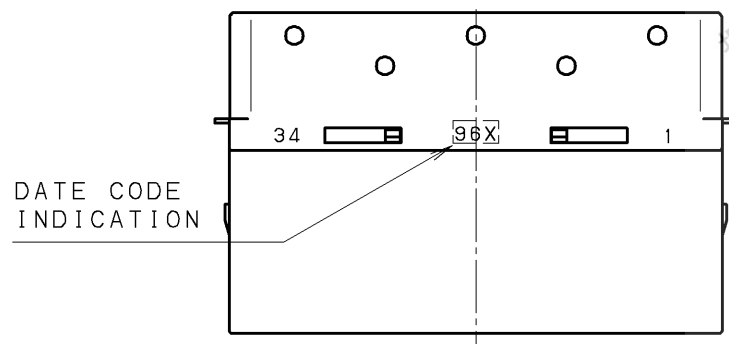
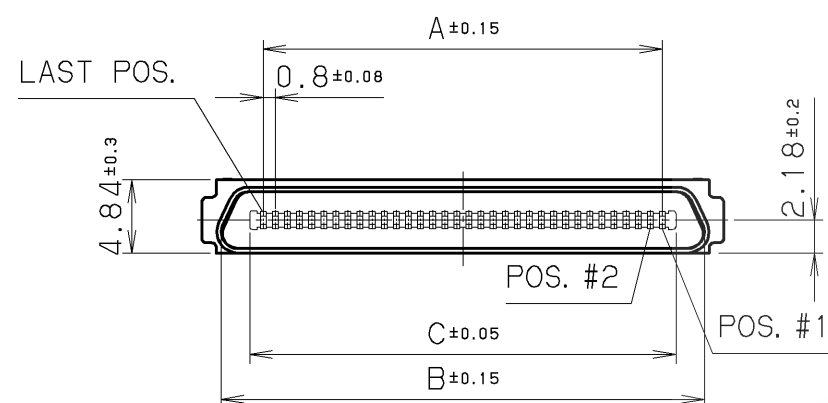


CONTACT DETAIL  
(5/1)



- NOTE1. CONTACT PLATING  
 CONTACT AREA: Pd/Ni 0.5 μm + GOLD 0.1 μm MIN.  
 TERMINAL AREA: GOLD 0.05 μm  
 ALL OVER NICKEL UNDERPLATED
2. APPLICABLE CABLE COVER: P/N: HDRA-E ( ) LGKP ( )  
 3. MATING CONNECTOR: P/N: HDRA-E ( ) LFDT-SL+  
 4. APPLICABLE WIRE SIZE AWG#30 (7/0.1)  
 Ø0.58 (CORE JACKET O. D.)

掲載している製品の特性及び仕様は参考値です。特性及び仕様については、予告無しに変更する場合があります。採用のご検討やご注文の際は弊社担当営業員までお問い合わせのうえ、納入仕様書の取り交わしをお願いします。

The product information in this data is for reference only. This is subject to change without notice. Contact our sales staff for further information before considering or ordering any of our products. Please request Engineering Drawing for the most current and accurate design information.

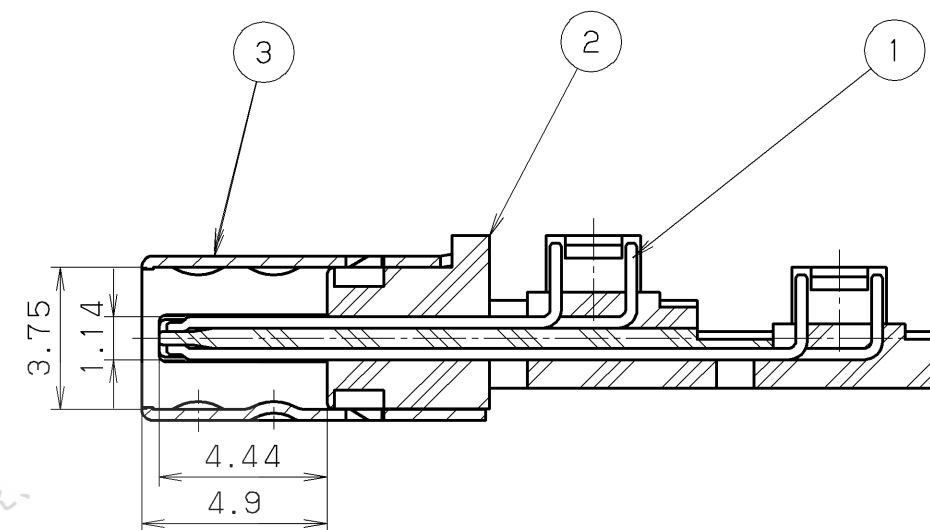
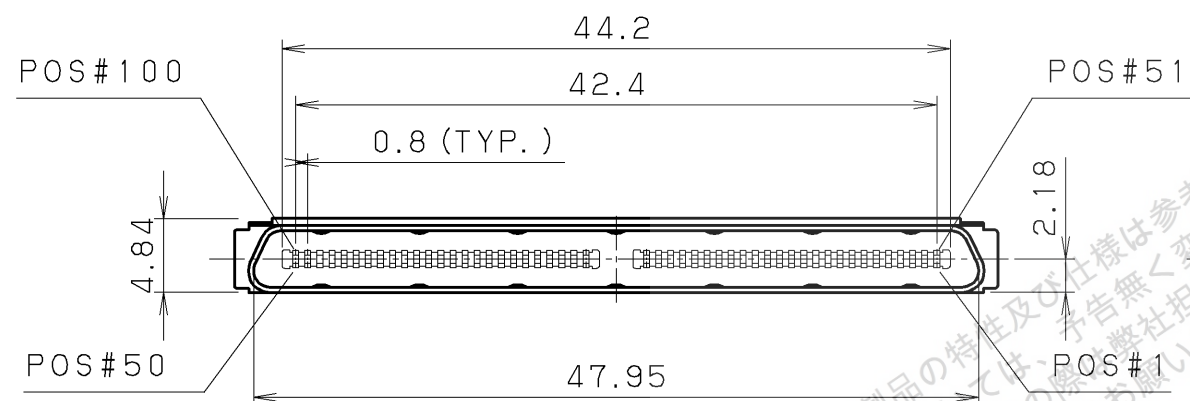
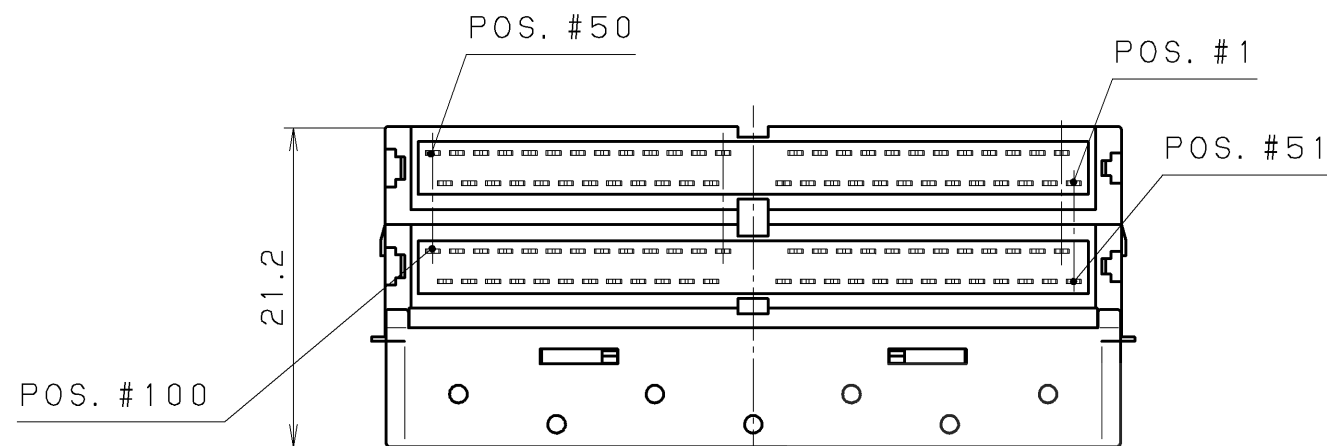


5	INSULATOR B	PBT (GF)	1		UL94V-0 BLACK
4	CABLE HOUSING	PBT (GF)	2		UL94V-0 BROWN
3	SHELL	STEEL	1	NICKEL PLATING	
2	INSULATOR A	PBT (GF)	1		UL94V-0 BLACK
1	CONTACT	PHOSPHOR BRONZE	68	SEE NOTE 1	

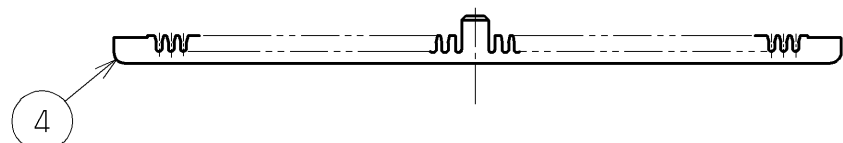
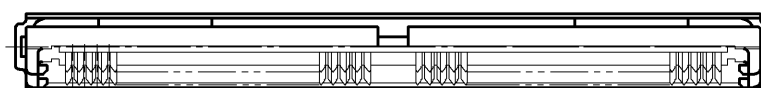
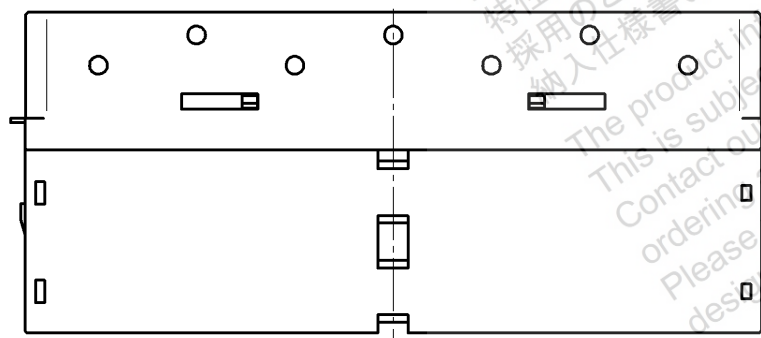
LTR.	DATE	BY	REV.	DESCRIPT	No.	PART NAME	MATERIAL	QTY	FINISH	NOTE
	Mar. 29. 2004		2 / 1							
APP. DATE & REV.						3RD. A. P				
DR.						HONDA TSUSHIN KOGYO CO., LTD.				
DE.						NAME				
CHK.						0.8mm SPACING FOR CABLE IDC MALE CONNECTOR				
CHK.						PART NO.				
APP.						HDRA-E ( ) MA1+				
Y. KATO						REV.				
Y. KATO										
C. NUNOKAWA										
H. EBIHARA										

HDRA-E68MA1	68	0.8x33=26.4	31.95	28.2
HDRA-E36MA1	36	0.8x17=13.6	19.16	15.4
PART No.	No. OF POS.	A	B	C

※ UNDER CONSIDERATION



CONTACT DETAIL  
(5/1)



NOTE 1. CONTACT PLATING

CONTACT AREA: GOLD 0.1 μm MIN. OVER PALLADIUM/NICKEL 0.5 μm  
 TERMINAL AREA: GOLD 0.05 μm  
 ALL OVER NICKEL UNDERPLATED

- 2. APPLICABLE CABLE COVER: P/N: HDRA-E100LPA ( ) AND OTHERS
- 3. MATING CONNECTOR: P/N: HDRA-E100W ( ) LFDT1EC-SL+ AND OTHERS
- 4. APPLICABLE WIRE SIZE: AWG#30 (7/0.1)  
 Ø0.58 (INSULATION O. D.)

				4	CABLE HOUSING	PBT (GF)	2		UL94V-0 BROWN
				3	SHELL	STEEL	1	NICKEL	
				2	INSULATOR	PBT (GF)	1		UL94V-0 BLACK
	May 15 2013	M. K	Revised.	1	CONTACT	PHOSPHOR BRONZE	100	SEE NOTE 1	

LTR.	DATE	BY	REV. DESCRIPT	No.	PART NAME	MATERIAL	QTY	FINISH	NOTE
------	------	----	---------------	-----	-----------	----------	-----	--------	------

DATE	SCALE	UNIT	3RD. A. P	<b>HTK</b> HONDA TSUSHIN KOGYO CO., LTD.					
May. 29. 2004	2 / 1	mm (INCH)							

APP. DATE & REV.					NAME	0.8mm SPACING FOR CABLE IDC MALE CONNECTOR			
DR.	DE.	CHK.	CHK.	APP.	PART NO.	HDRA-E100MA1+			REV.
M. KASHARA	M. KASHARA			Y. KATO					1A