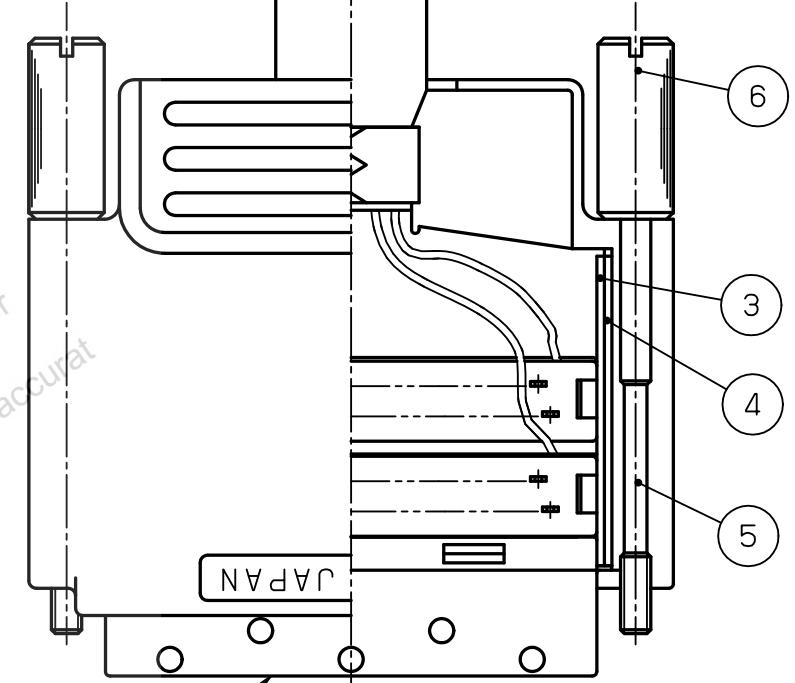
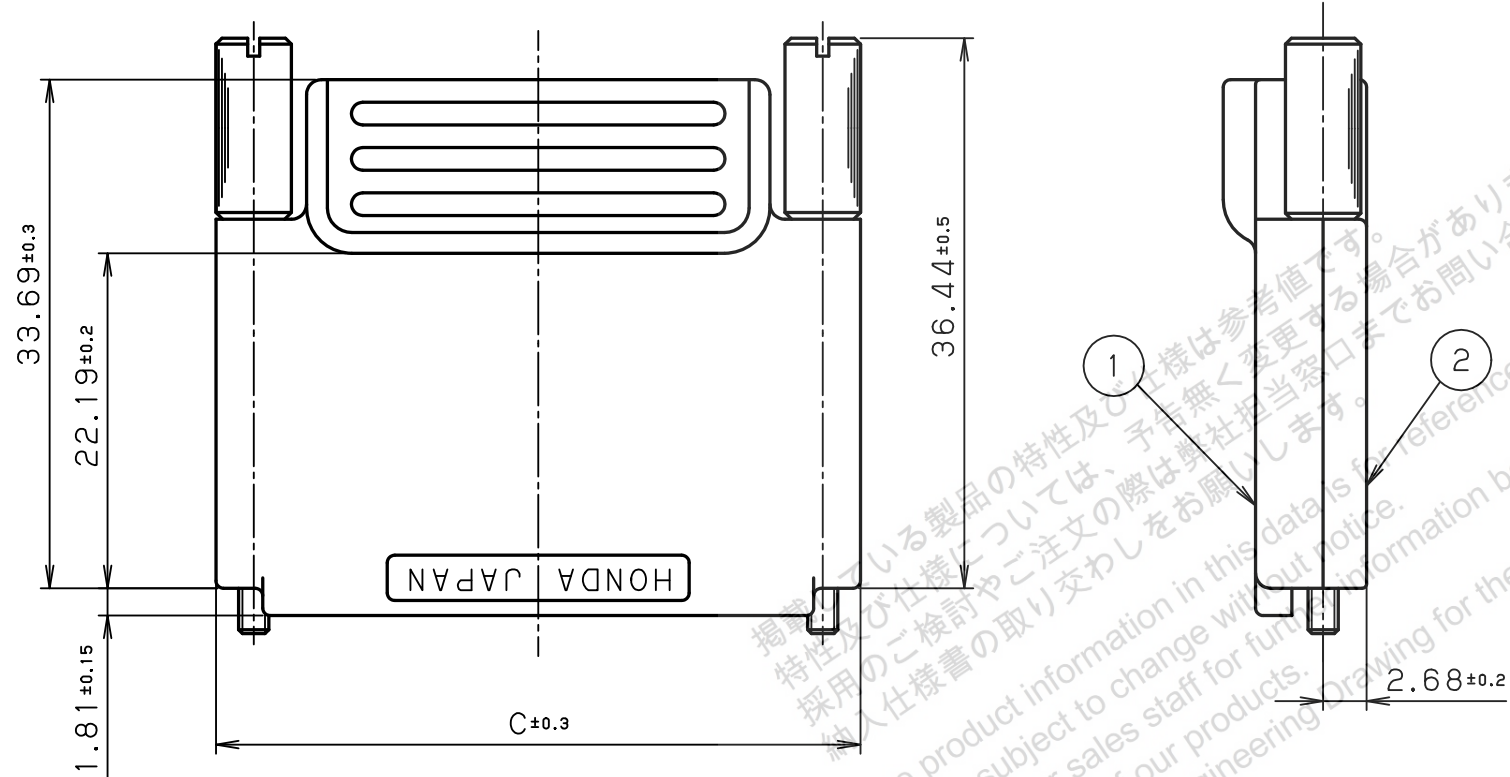


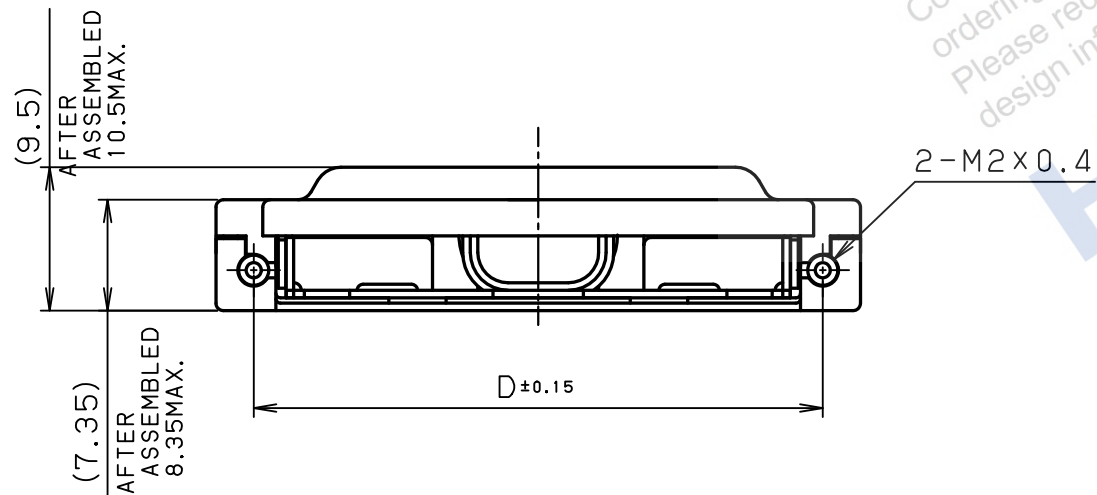
NOTE1. RoHS COMPLIANT  
LEAD (Pb) CONTENT: UNDER 0.1wt%.

APPLICABLE  
CABLE O. D.  
ØE

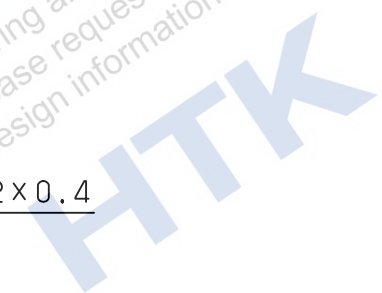


CONNECTOR  
P/N: HDRA-E ( ) MA1

AFTER CONNECTOR ASSEMBLY DRAWING  
(COVER A & B: ULTRA-SONIC WELDING)



掲載している製品の特性及び仕様は参考値です。  
This is subject to change without notice.  
The product information in this data is for reference only.  
This is subject to change without notice.  
Contact our sales staff for further information before considering or  
ordering any of our products.  
Please request Engineering drawing for the most current and accurate  
design information.

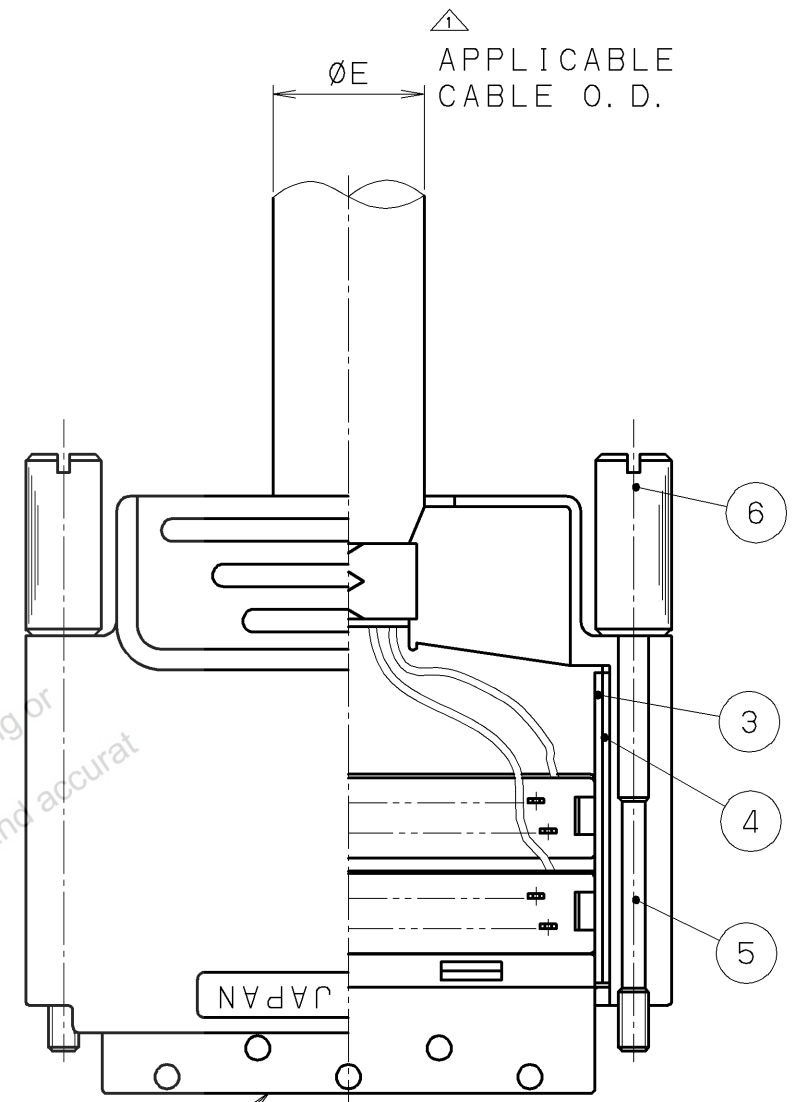
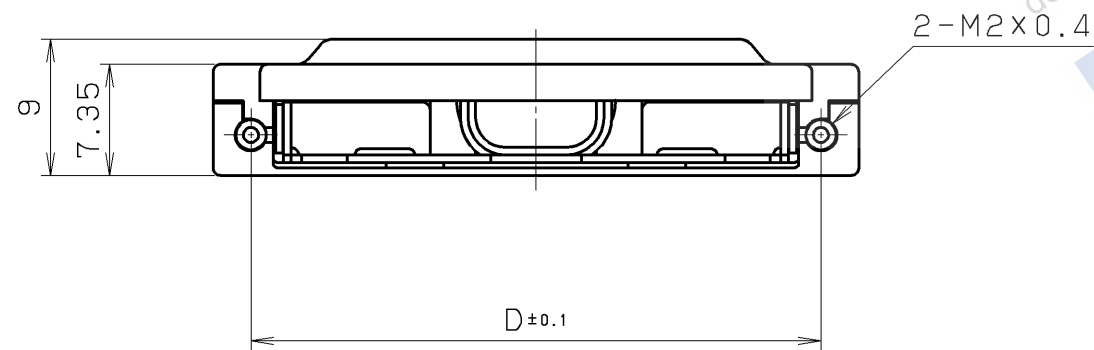
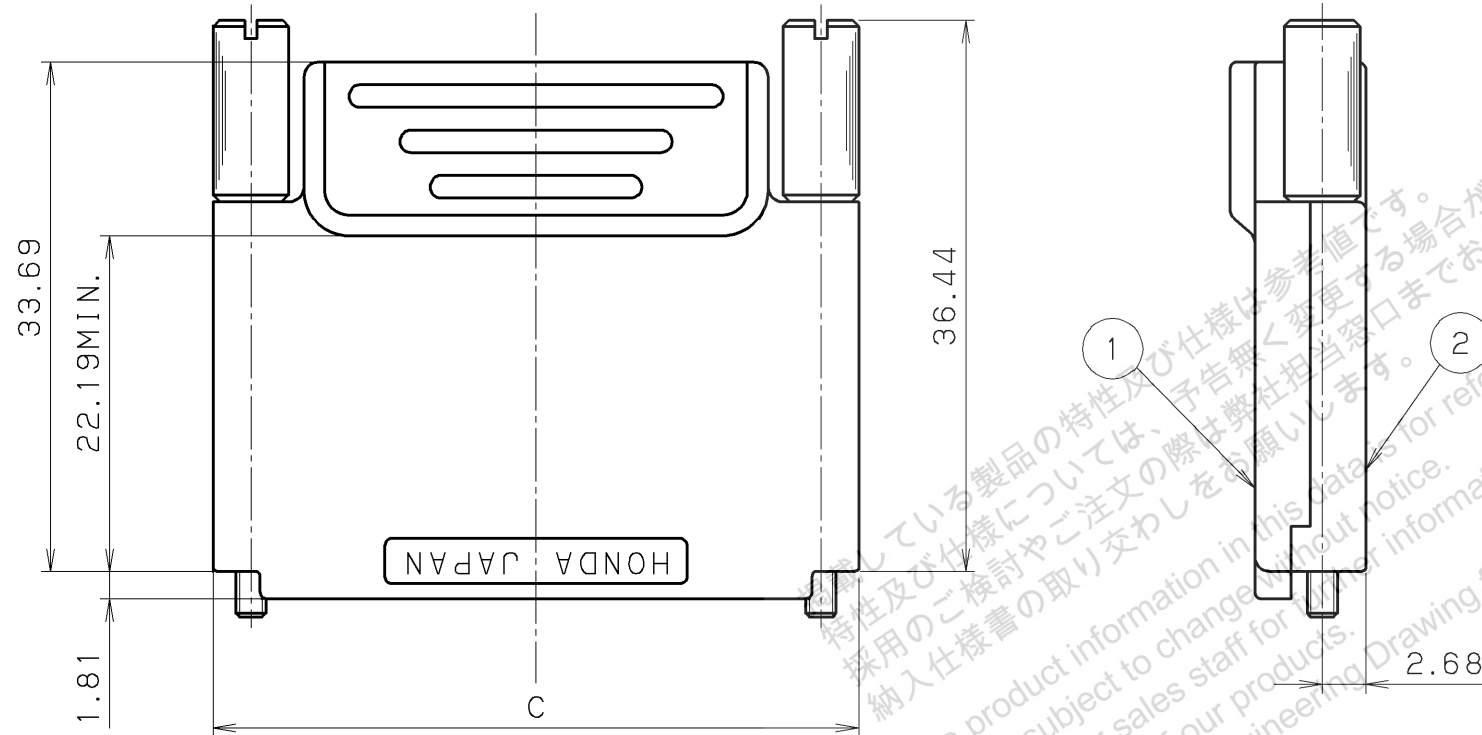
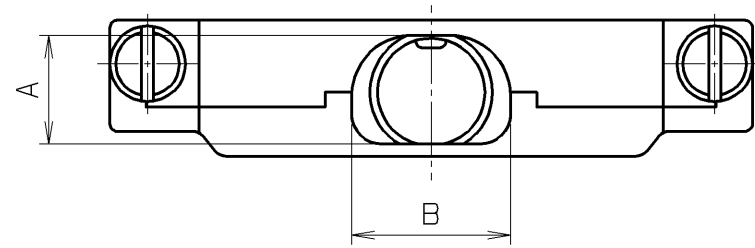


6	CAP	PBT (GF)	2	—	UL 94V-0 BLACK
5	LOCK SCREW	STAINLESS	2	—	—
4	BACK SHELL B	STEEL	1	NICKEL	—
3	BACK SHELL A	STEEL	1	NICKEL	—
2	COVER B	ABS	1	—	UL 94V-0 BLACK
1	COVER A	ABS	1	—	UL 94V-0 BLACK

LTR.	DATE	BY	REV.	DESCRIPT	No.	PART NAME	MATERIAL	QTY	FINISH	NOTE
	06. Aug. 2024		2 / 1							
DATE						SCALE	UNIT	3RD. A. P		
APP. DATE & REV.										
DR.	DE.	CHK.	CHK.	APP.	NAME		HDRA-E TYPE CABLE COVER			
G. FUJITA	S. YOSHIDA	—	T. SOGO	T. SOGO	PART NO.	HDRA-E ( ) LGKPE+2			REV.	

HDRA-E68LGKPE	7.2	10.5	42.7	37.7	10MAX.
HDRA-E36LGKPE	5.0	7.5	29.9	24.9	7MAX.
PART No.	A	B	C	D	E

※ UNDER CONSIDERATION



CONNECTOR  
 △ P/N:HDRA-E ( ) MC1

AFTER CONNECTOR ASSEMBLY DRAWING  
 (COVER A&B:ULTRA-SONIC WELDING)

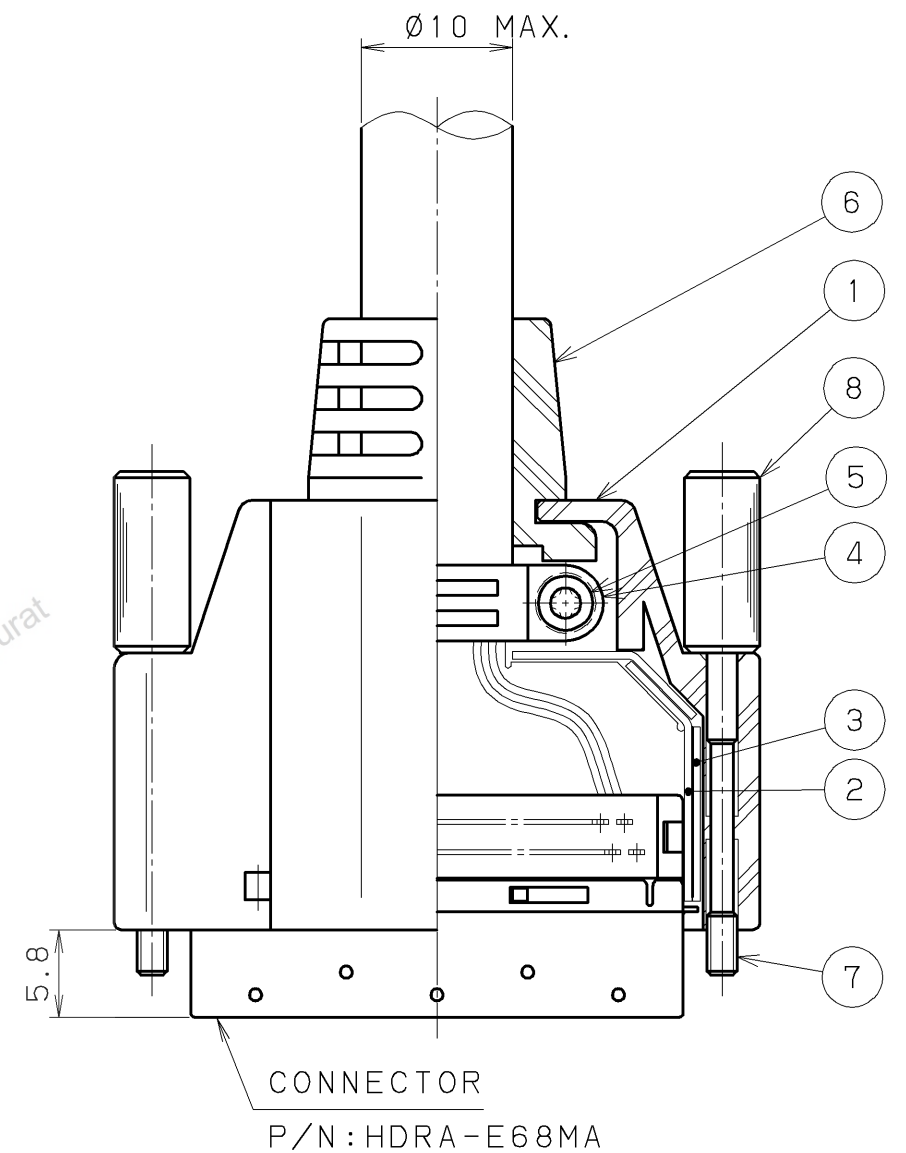
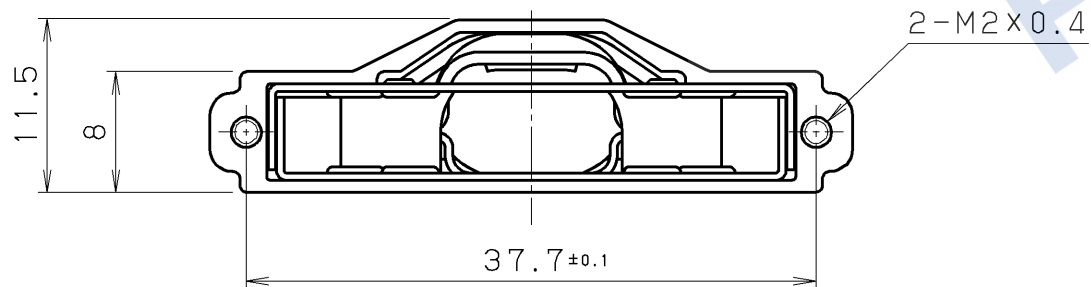
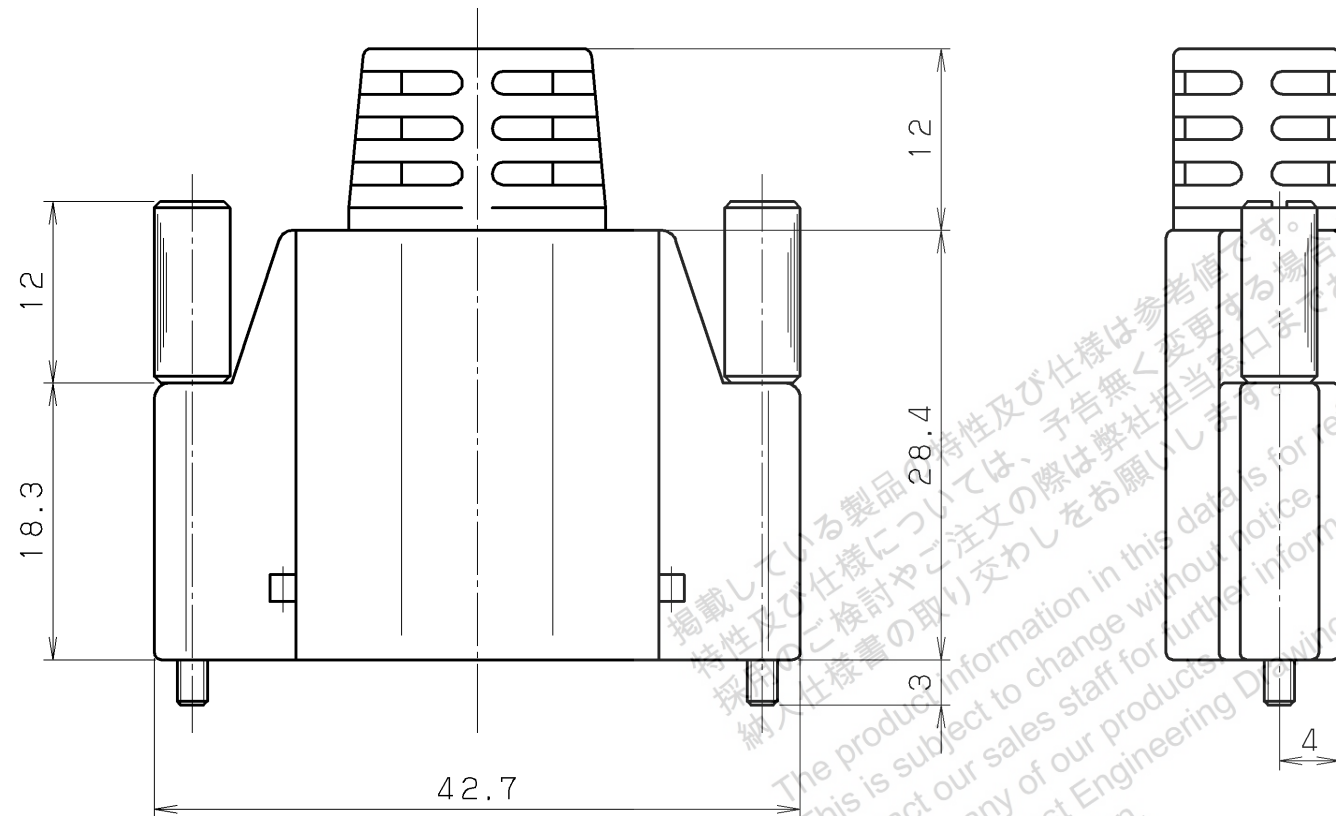
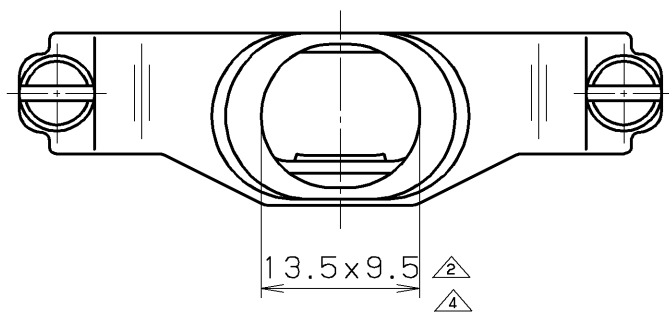
この製品の特性及び仕様は参考値です。  
 特性及び仕様については、予告無く変更する場合があります。  
 採用のご検討やご注文の際は弊社担当窓口までお問い合わせのうえ、  
 納入仕様書の取り交わしをお願いします。  
 The product information in this data is for reference only.  
 This is subject to change without notice.  
 Contact our sales staff for information before considering or  
 ordering any of our products.  
 Please request Engineering Drawing for the most current and accurate  
 design information.

△					6	CAP	ABS	2		UL94V-0 BLACK
△					5	LOCK SCREW	STEEL	2	NICKEL	
△					4	BACK SHELL B	STEEL	1	NICKEL	
△					3	BACK SHELL A	STEEL	1	NICKEL	
△	Oct-20 2003	Y. K	NOTE		2	COVER B	ABS	1		UL94V-0 BLACK
△	JAN-30 1998	A. M	ADD *-E36LGKPF*		1	COVER A	ABS	1		UL94V-0 BLACK

LTR.	DATE	BY	REV.	DESCRIPT	No.	PART NAME	MATERIAL	QTY	FINISH	NOTE
DATE		SCALE		UNIT		3RD. A. P				
30. APR. 1997		2 / 1		mm (INCH)		HONDA TSUSHIN KOGYO CO., LTD.				
APP. DATE&REV.										
DR.	DE.	CHK.	CHK.	APP.	NAME HDRA-E TYPE CABLE COVER					
Y. KATO	Y. KATO	—	C. NUNOKAWA	H. EBIHARA	PART NO. HDRA-E ( ) LGKPF △					
										REV. 2B

HDRA-E68LGKPF	7.2	10.5	42.7	37.7	7
△ HDRA-E36LGKPF	5.0	7.5	29.9	24.9	5.4
PART No.	A	B	C	D	E

△ UNDER CONSIDERATION



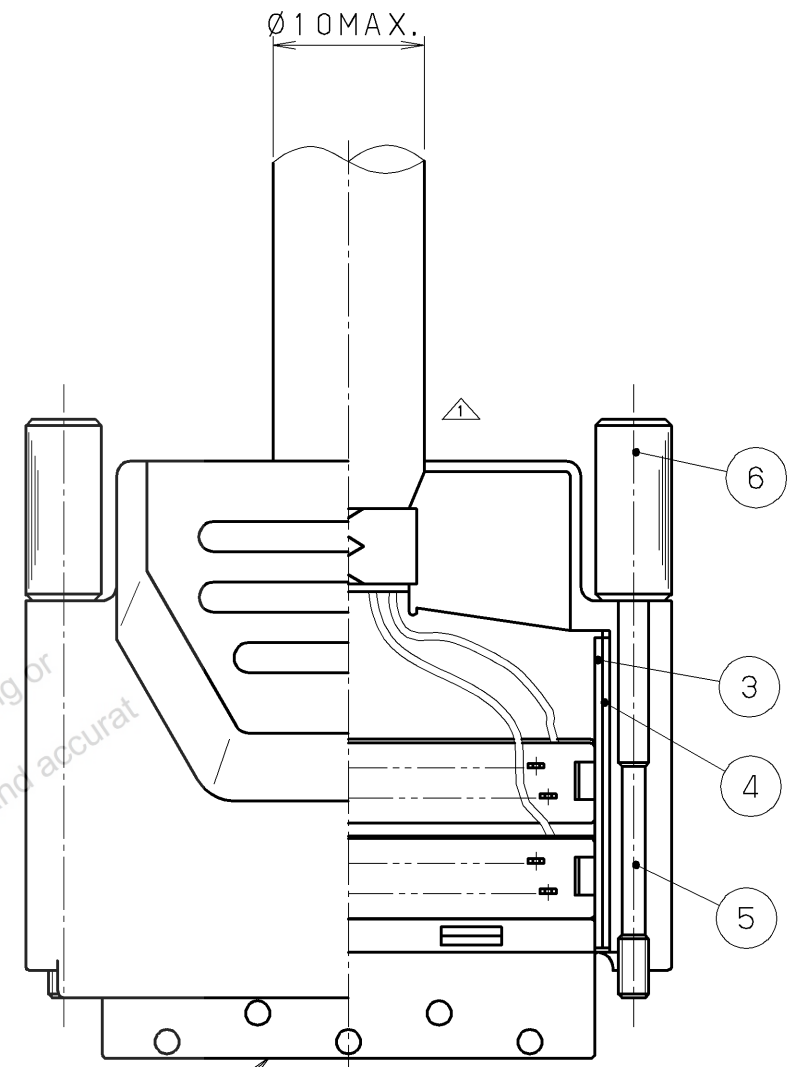
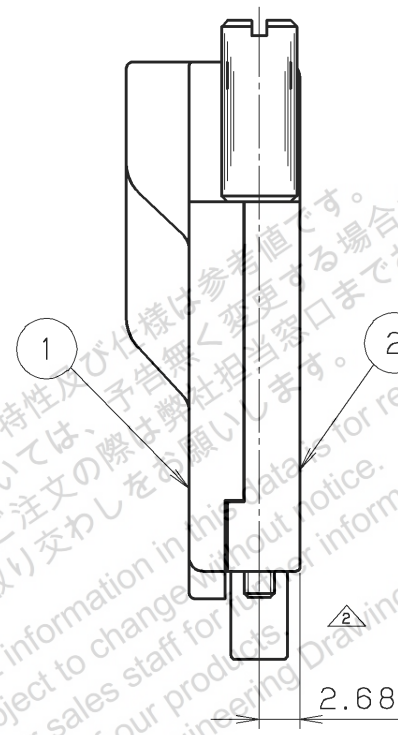
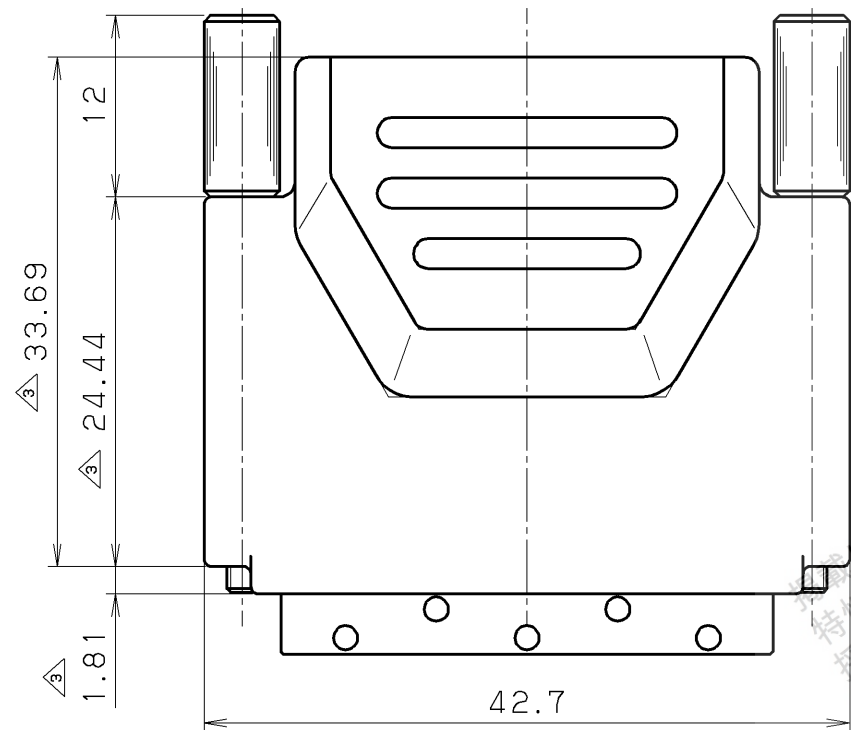
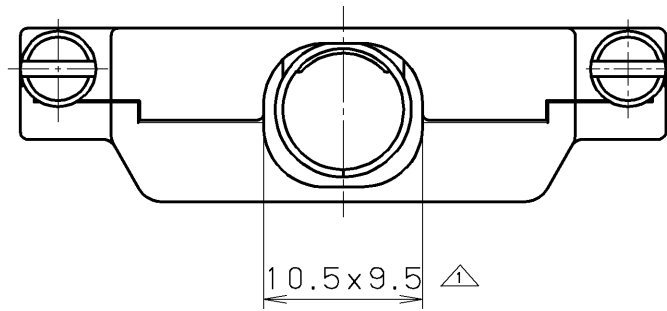
掲載している製品特性及び仕様は参考値です。この製品は予告なく変更される場合があります。お問い合わせの際は、必ず最新の仕様書をご確認ください。お問い合わせの際は、必ず最新の仕様書をご確認ください。お問い合わせの際は、必ず最新の仕様書をご確認ください。

The product information in this data is for reference only. This is subject to change without notice. Contact our sales staff for further information before considering or ordering any of our products. Please request Engineering Drawing for the most current and accurate design information.

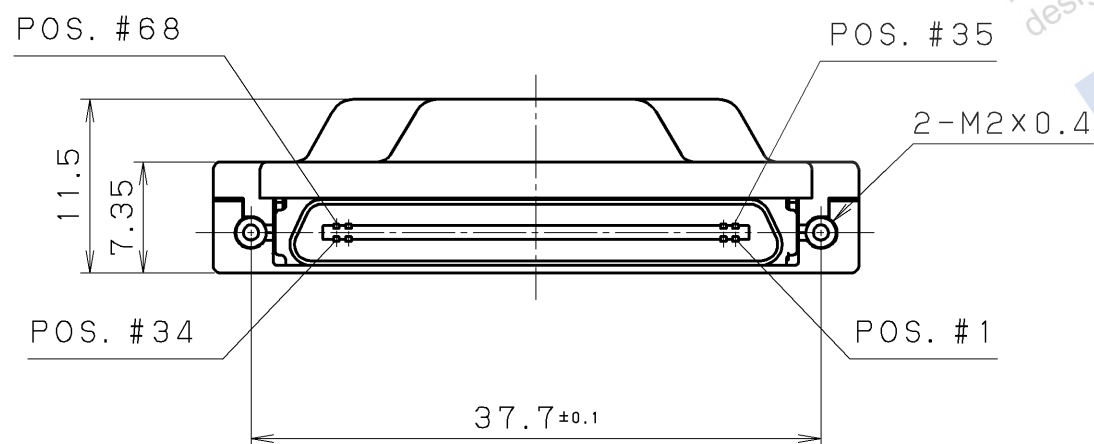
8	CAP	PBT	2	—————	UL94V-0 BLACK
7	LOCK SCREW	STEEL	2	NICKEL PLATING	M2
6	BUSHING	PVC	1	—————	UL94V-0 BLACK
5	⊕PAN HEAD SCREW	STEEL	2	NICKEL PLATING	M2.5

△	Dec.7 2006	Y. K	Changed Dim.	4	CABLE CLAMP	STAINLESS STEEL	1	—————	—————
△	Jun.20 2006	Y. K	Revise	3	BACK SHELL B	STEEL	1	NICKEL PLATING	—————
△	Oct.20 1997	Y. K	Changed Dim.	2	BACK SHELL A	STEEL	1	NICKEL PLATING	—————
△	Sep.8 1995	Y. K	Changed P/N	1	COVER	PBT	1	—————	UL94V-0 BLACK

LTR.	DATE	BY	REV.	DESCRIPT	No.	PART NAME	MATERIAL	QTY	FINISH	NOTE
DATE		SCALE		UNIT		3RD. A. P				
JULY.7.1995		2 / 1		mm (INCH)		HONDA TSUSHIN KOGYO CO., LTD.				
APP. DATE&REV.						NAME HDRA-E TYPE CABLE COVER				
DR.		DE.		CHK.		CHK.		APP.		PART NO. HDRA-E68LGKPA
Y. KATO		Y. KATO		—————		C. NUNOKAWA		H. EBIHARA		REV. 4D



CONNECTOR  
P/N:HDRA-E68MA1



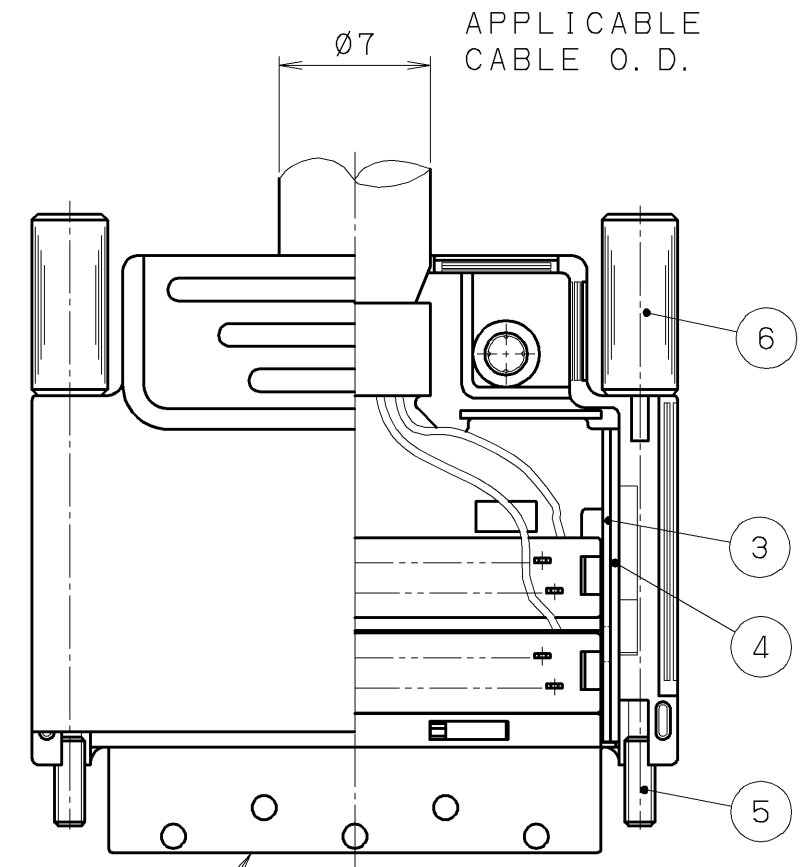
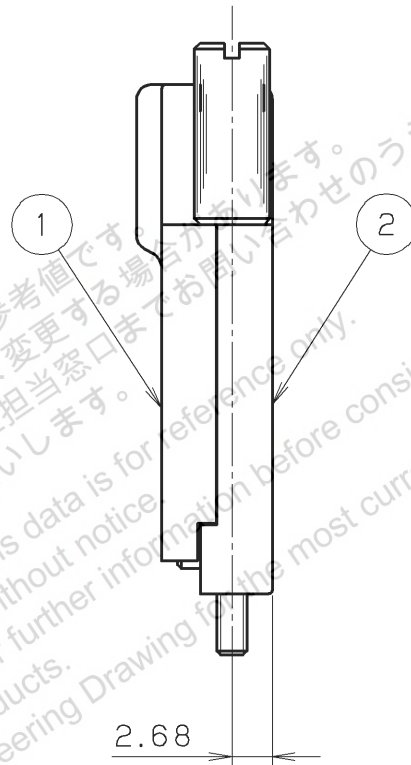
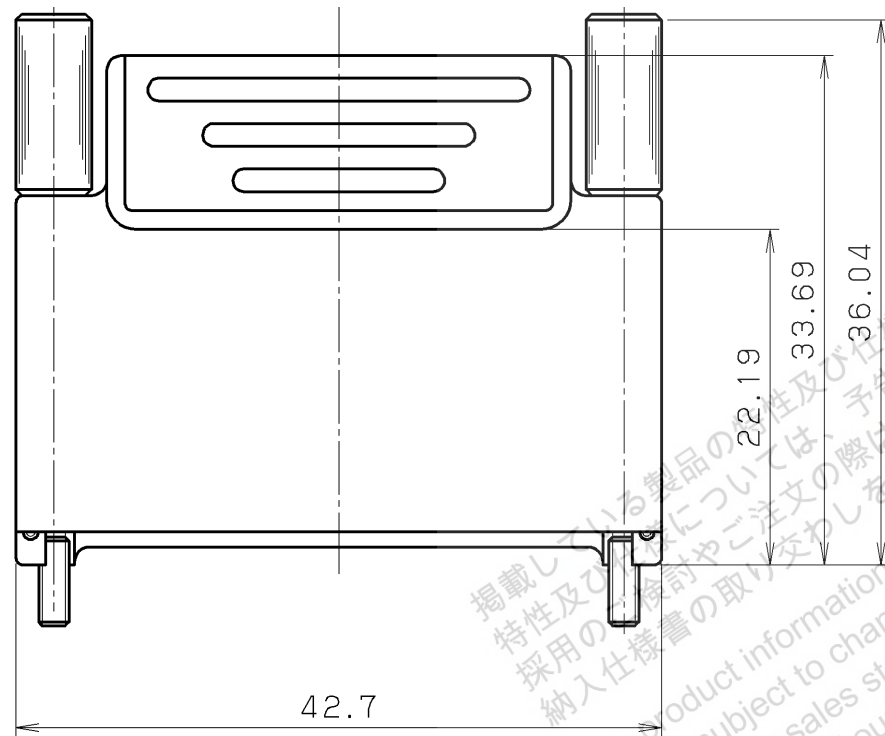
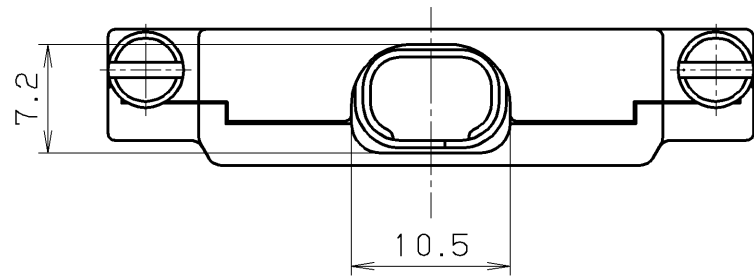
この製品の特性及び仕様は参考値です。予告なく変更する場合があります。お問い合わせの際は、必ず最新仕様書をご確認ください。また、製品の特性及び仕様については、予備なく変更する場合があります。お問い合わせの際は、必ず最新仕様書をご確認ください。また、製品の特性及び仕様については、予備なく変更する場合があります。お問い合わせの際は、必ず最新仕様書をご確認ください。

The product information in this data is for reference only. This is subject to change without notice. Contact our sales staff for the most current and accurate information before considering or ordering any of our products. Please request Engineering Drawing for the most current and accurate design information.

HTK

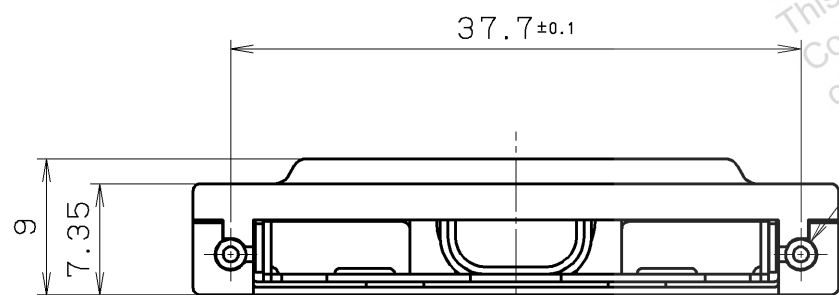
△	MAY.-8 1997	Y. K	APPEARANCE ALTERATION	6	CAP	ABS	2		UL94V-0 BLACK
△	JULY-26 1996	Y. K	CHANGED DIM.	5	LOCK SCREW	STEEL	2	NICKEL	
△	JULY-12 1996	Y. K	APPEARANCE ALTERATION	4	BACK SHELL B	STEEL	1	NICKEL	
				3	BACK SHELL A	STEEL	1	NICKEL	
				2	COVER B	ABS	1		UL94V-0 BLACK
				1	COVER A	ABS	1		UL94V-0 BLACK

LTR.	DATE	BY	REV.	DESCRIPT	No.	PART NAME	MATERIAL	QTY	FINISH	NOTE
DATE		SCALE		UNIT		3RD. A. P				
MAY. 17. 1996		2 / 1		mm (INCH)		HONDA TSUSHIN KOGYO CO., LTD.				
APP. DATE&REV.										
DR.	DE.	CHK.	CHK.	APP.	NAME HDRA-E TYPE CABLE COVER					
Y. KATO	Y. KATO	—	C. NUNOKAWA	H. EBIHARA	PART NO. HDRA-E68LGKPC				REV. 3C	



CONNECTOR  
P/N:HDRA-E68M ( ) 1

AFTER CONNECTOR ASSEMBLY DRAWING  
(COVER A&B:ULTRA-SONIC WELDING)



掲載している製品の性能及び仕様は参考値です。特性及び性能については、予告なく変更する場合があります。採用の部品やご注文の際は弊社担当窓口までお問い合わせのうえ、納入仕様書の取り交わしをお願いします。  
The product information in this data is for reference only. This is subject to change without notice. Contact our sales staff for further information before considering or ordering any of our products. Please request Engineering Drawing for the most current and accurate design information.

HTTK

6	CAP	ABS	2		UL94V-0 BLACK
5	LOCK SCREW	STEEL	2	NICKEL	
4	BACK SHELL B	STEEL	1	NICKEL	
3	BACK SHELL A	STEEL	1	NICKEL	
2	COVER B	ABS	1		UL94V-0 BLACK
1	COVER A	ABS	1		UL94V-0 BLACK

△										
LTR.	DATE	BY	REV.	DESCRIPT	No.	PART NAME	MATERIAL	QTY	FINISH	NOTE
	JUN. 22. 1999		2 / 1							
DATE						SCALE	UNIT	3RD. A. P		
APP. DATE&REV.						HONDA TSUSHIN KOGYO CO., LTD.				
DR.	DE.	CHK.	CHK.	APP.	NAME		HDRA-E TYPE CABLE COVER			
Y. KATO	Y. KATO	—	C. NUNOKAWA	H. EBIHARA	PART NO.		HDRA-E68LGKPH			REV.