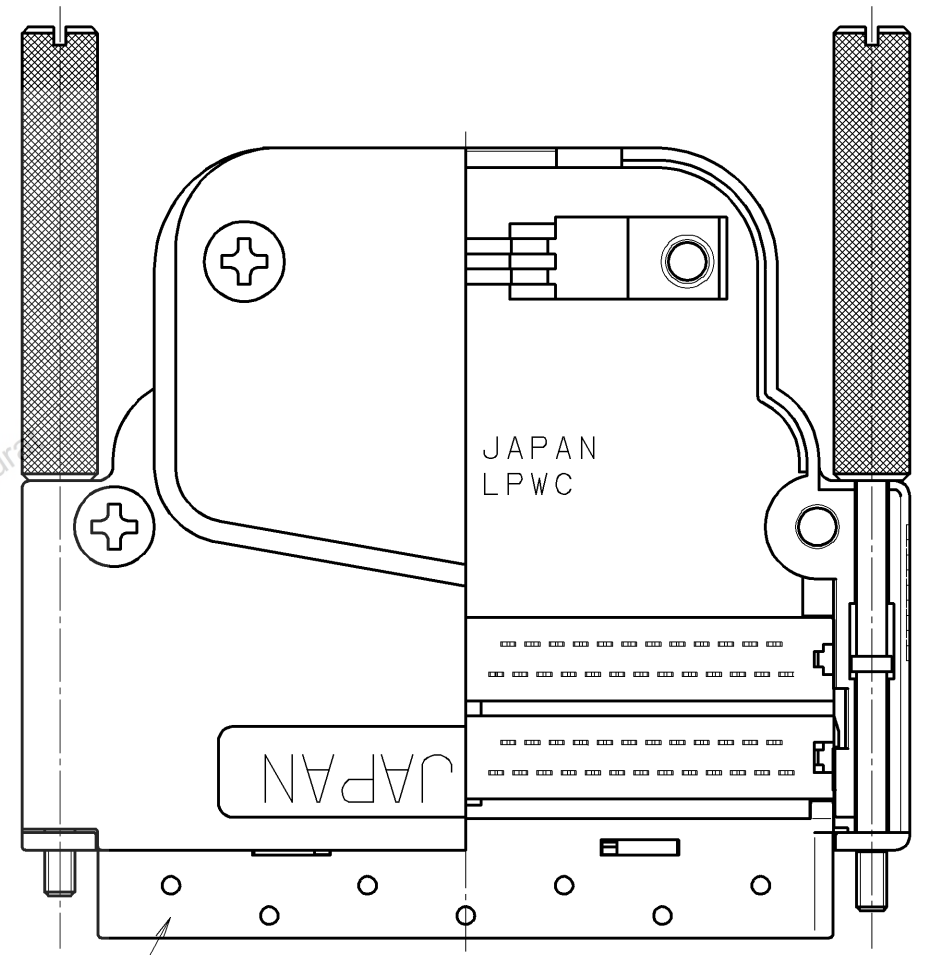
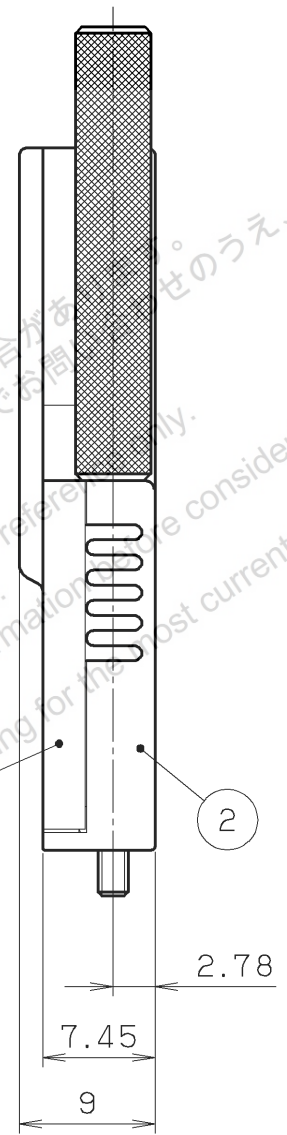
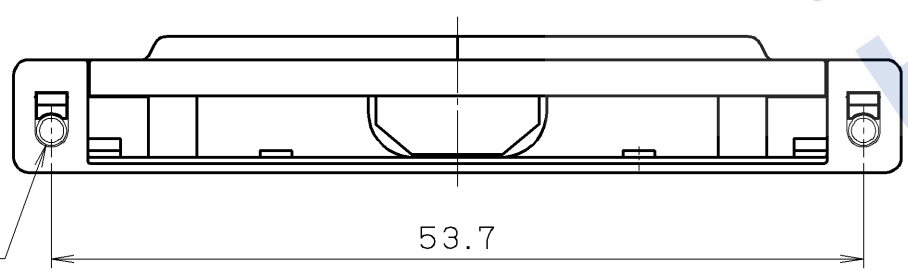
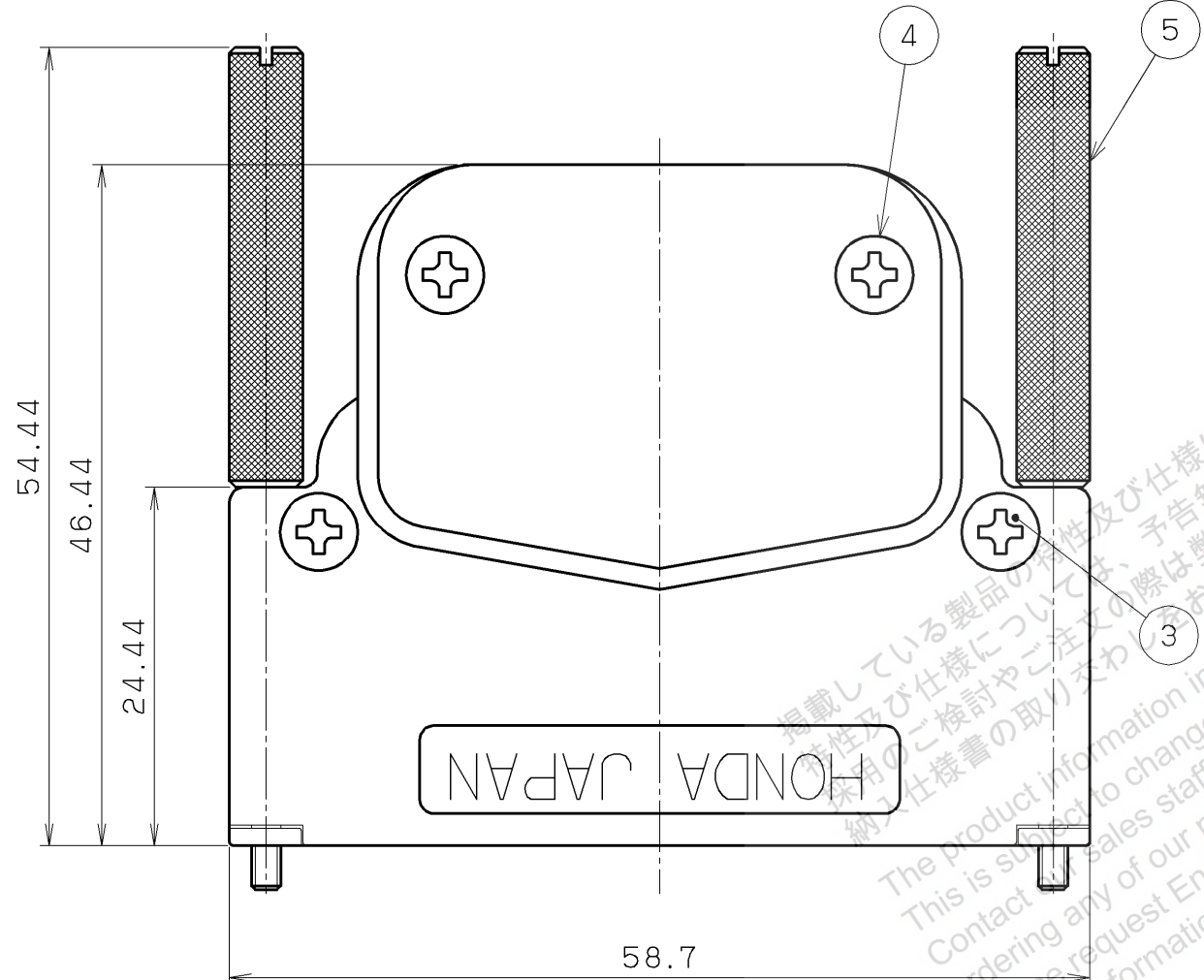
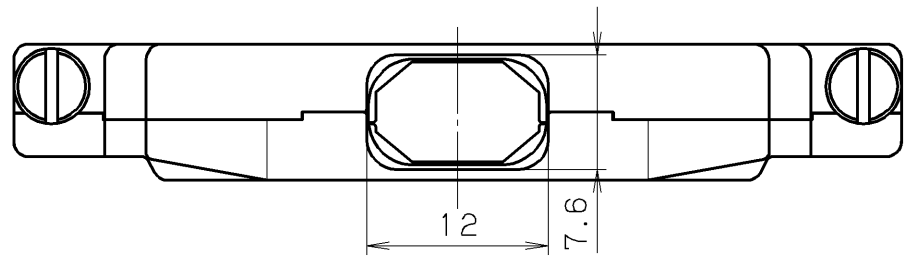


DRAWING AFTER CONNECTOR ASSEMBLY

NOTE#1. APPLICABLE CONNECTOR: HDRA-E100M () 1
 #2. APPLICABLE CABLE DIA. : Ø7.3

5	LOCK SCREW	STEEL	2	NICKEL PLATING	
4	⊕FLAT HEAD SCREW	STEEL	2		M2.5x0.45 l=8
3	⊕FLAT HEAD SCREW	STEEL	2		M2.5x0.45 l=5
2	COVER B	ZINC ALLOY	1	NICKEL PLATING	
1	COVER A	ZINC ALLOY	1	NICKEL PLATING	

LTR.	DATE	BY	REV.	DESCRIPT	No.	PART NAME	MATERIAL	QTY	FINISH	NOTE
	OCT. 3. 2001		2 / 1							
DATE						SCALE	UNIT	3RD. A. P		
OCT. 3. 2001						2 / 1	mm (INCH)	HONDA TSUSHIN KOGYO CO., LTD.		
APP. DATE&REV.						DR.	DE.	CHK.	CHK.	APP.
						Y. KATO	Y. KATO	—	C. NUNOKAWA	H. EBIHARA
						NAME	HDRA-E TYPE CABLE COVER			
						PART NO.	HDRA-E100LPWB			
						REV.				



CONNECTOR
P/N: HDRA-E100M () 1
DRAWING AFTER CONNECTOR ASSEMBLY

NOTE#1. APPLICABLE CONNECTOR: HDRA-E100M () 1
#2. APPLICABLE CABLE DIA. : Ø9.6

5	LOCK SCREW	STEEL	2	NICKEL PLATING	
4	⊕FLAT HEAD SCREW	STEEL	2		M2.5x0.45 l=8
3	⊕FLAT HEAD SCREW	STEEL	2		M2.5x0.45 l=5
2	COVER B	ZINC ALLOY	1	NICKEL PLATING	
1	COVER A	ZINC ALLOY	1	NICKEL PLATING	

LTR.	DATE	BY	REV.	DESCRIPT	No.	PART NAME	MATERIAL	QTY	FINISH	NOTE
	OCT. 3. 2001		2 / 1							

DATE					SCALE		UNIT		3RD. A. P		HONDA TSUSHIN KOGYO CO., LTD.	
OCT. 3. 2001					2 / 1		mm (INCH)					
APP. DATE&REV.												
DR.	DE.	CHK.	CHK.	APP.	NAME		HDRA-E TYPE CABLE COVER					
Y. KATO	Y. KATO	—	C. NUNOKAWA	H. EBIHARA	PART NO.		HDRA-E100LPWC					
											REV.	